

AVK WAFER BUTTERFLY VALVE, CENTRIC WITH LOOSE LINER, PN 10/16

76/70

20

Loose EPDM liner for drinking water, nickel plated ductile iron disc

AVK's wide range of centric butterfly valves with loose liner comprises two different lines. Series 76 is our basic range available in wafer and lug design with lever and gearbox. The butterfly valves are designed with anti-blow-out shaft and hexagon connection, low friction bearings, and an EPDM liner with reinforced seating area and profiled flange gaskets.

Product Description:

Centric butterfly valve to EN 593 for drinking water and neutral liquids to max. 70° C

Standards:

- Designed according to EN 593
- Face to face according to EN 558-2008 Table 2 Basic Series 20
- End connection to EN 1092-2 PN 6/10/16, ASME B16.5 Cl. 150

Test/Approvals:

- Hydraulic test according to EN 12266-1, P10/P12
- Approved for drinking water / pressure test EN 12266-1

Features:

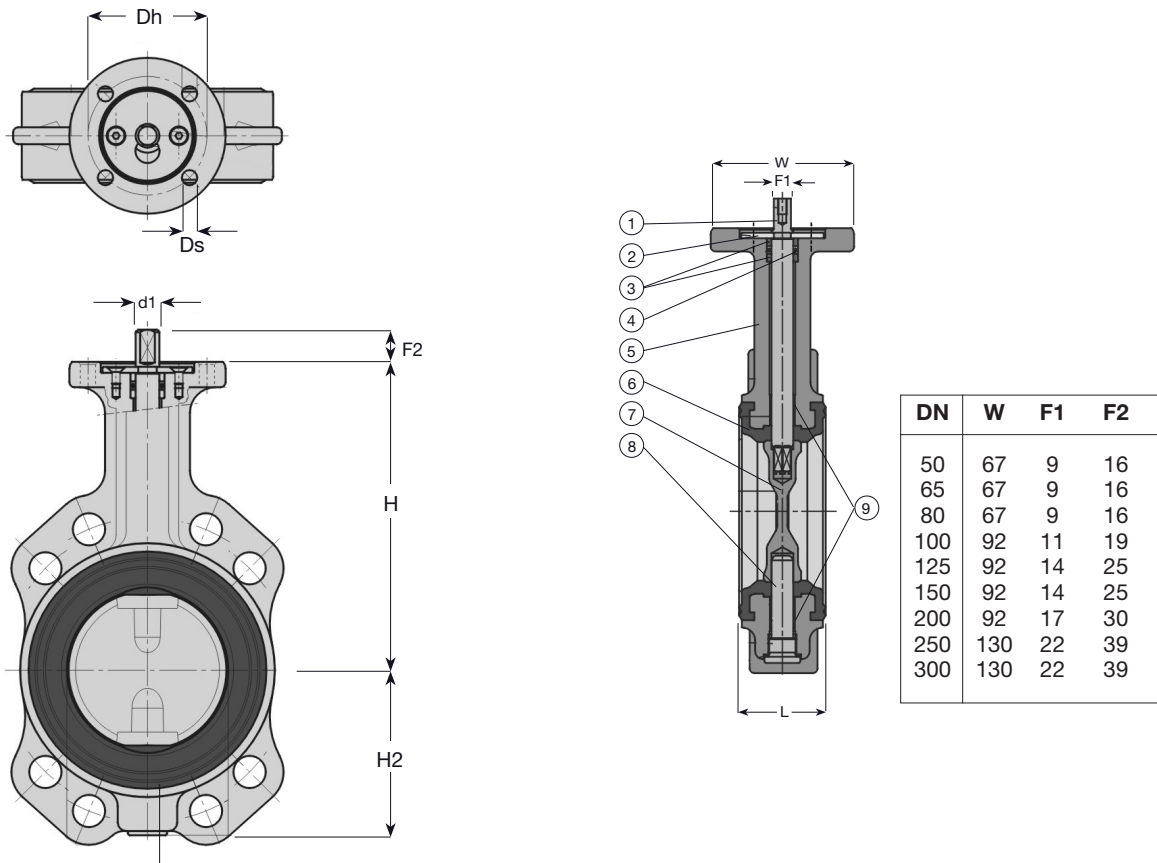
- Ductile iron body with long neck for insulation
- Anti-blowout 2-stub shaft with uneven hexagon for safe assembly
- Both shafts carried by low friction PTFE coated bearings
- Loose liner of drinking water approved EPDM with reinforced seating area and integrated, profiled flange gaskets. The shaft holes are dimensioned to create compression around the shaft
- Slim disc design with internal hexagon for drive shaft connection
- Anti blow-out plate at the top and a plug at the bottom
- Two POM bearings and an EPDM O-ring at the top as backup sealing
- 80 µ epoxy coating, RAL 5017
- Lever of high strength reinforced synthetic material with 10 position notch plate (DN 50-200)
- Self locking gearbox with handwheel, adjustable end stops and mechanical position indicator (DN 250-300)

Accessories:

Gearbox



AVK



Component List:

1. Shaft	Stainless steel AISI 420	2. Anti-blowout plate	POM
3. Plastic bearings	POM	4. O-ring	EPDM rubber
5. Body	Ductile iron, GJS-500-7 (GGG-50)	6. Liner	EPDM rubber
7. Disc	Nickel plated carbon steel	8. Shaft	Stainless steel AISI 420
9. Steel bearings	PTFE coated steel		

Reference Nos. and Dimensions:

AVKI No.	AVK ref. nos	DN mm	Product PN Class	L mm	H mm	H2 mm	Dh mm	d1 mm	Ds mm	Theoretical weight kg
76-00037	76-0050-70-817002690205	50	PN 10/16	43	125	63	50	12	50	2.5
76-00039	76-0065-70-817002690205	65	PN 10/16	46	150	76	50	12	50	3.0
76-00041	76-0080-70-817002690205	80	PN 10/16	46	157	83	50	12	50	4.0
76-00043	76-0100-70-817002690205	100	PN 10/16	52	182	96	70	14	70	5.0
76-00045	76-0125-70-817002690205	125	PN 10/16	56	201	113	70	18	70	6.0
76-00047	76-0150-70-817002690205	150	PN 10/16	56	214	126	70	18	70	9.0
76-00049	76-0200-70-817002690205	200	PN 10/16	60	245	155	70	22	70	13.0
76-00051	76-0250-70-817001390203	250	PN10	68	283	195	70	28	70	25.0
76-00053	76-0300-70-817001390203	300	PN10	78	308	220	102	28	102	34.0