

METAL SEATED GATE VALVE, DN 700-800, PN 16, CTC, WITH BY-PASS

54/33
108

Metal seated gate valve, designed according to EN1074 part 1 & 2, Face to face according to EN 558 table 2 basic series 3.
Standard flange drilling to EN1092-2 (ISO 7005-2)

Use: For water, sewage and neutral liquids to max. 70°C
Hydraulic tests: Seat: 1.1 x PN Body: 25 bar (PN 16)
Applicable Standards: To EN 1074 Part 1 & 2 : 2000 (BS 5163: 1986 type B)
Flange drilling to BS EN 1092-2: PN 16
Optional Extras: Handwheel
Bevel or Spur Gearboxes
Alternative Trim Materials
Jacking screw
Inspection cover
Rising Stem
PN 10 Drilling

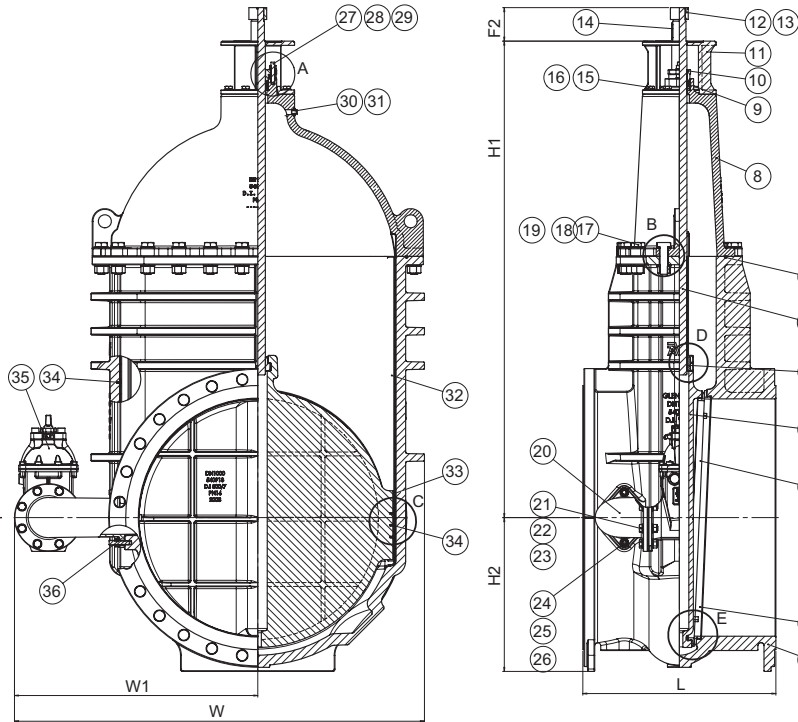
Valves must not be operated without a gearbox or actuator. Thrust is taken in the gearbox or actuator.

Ref. numbers shown relate to the standard ISO mounting flange. For differential pressures of 10 bar and above, the mounting flange and Ref. number may change.

Materials:

Body	Ductile Iron EN 1563 EN-GJS-500/7
Bonnet	Ductile Iron EN 1563 EN-GJS-500/7
Wedge	Ductile Iron EN 1563 EN-GJS-500/7
Stem Cap	Ductile Iron EN 1563 EN-GJS-500/7
ISO top flange	Ductile Iron EN 1563 EN-GJS-500/7
Bypass elbow	Ductile Iron EN 1563 EN-GJS-500/7
Seats/Faces	Al Bronze EN 1982 CC331G (AB1)
Wedge Nut	Al Bronze EN 1982 CC331G (AB1)
Thrust Nut	Al Bronze BS EN12163 Gr CW307G(CA104)
Stem	Stainless Steel EN 10088 No 1.4057/A276-431
Key	Carbon Steel BS 4235 Part 1
Plug	Brass EN 12165: CW602N
O-Rings	EPDM
Gasket	Nylon
Fasteners	Stainless steel A4
Coating	Internal and external blue fusion bonded epoxy (300 microns)





A. Stem sealing

Seal is by conventional stuffing box with ample depth to ensure long life to the PTFE packing.

B. Body/bonnet connection

The unique assembly of the valve body and bonnet ensures a durable tightness:
A round rubber bonnet gasket fits into a recess in the valve body preventing it from being blown out by pressure surges.

C. Shoes and channel (optional)

Shoes and Channels are manufactured from Gunmetal and help to reduce friction between the wedge and body during operation. Accurate alignment is also achieved. Shoes and Channels are necessary when horizontal installation of the valve is required.

D. Wedge nut

The wedge nut is made of bronze with lubricating abilities providing optimum compatibility with the stainless steel stem.

E. Wedge

The wedge is made from ductile iron with bronze face rings which are machined to a fine surface finish to ensure optimum contact seal with body seat rings. The wedge face rings are accurately machined and firmly secured to the wedge. The guides in the wedge ensure uniform closure regardless of high pressures. The wedge has a large through bore housing the stem that ensures no stagnant water or impurities can collect. The wedge is fully protected by a coating of fusion bonded epoxy.

Component list

1. Body
2. Seat Ring
3. Face Ring
4. Wedge
5. Stem Nut
6. Stem
7. O-Cord
8. Bonnet
9. Packing
10. Gland
11. Distance Piece
12. Thrust Nut
13. Grub Screw
14. Key
15. Hex Screw
16. Washer
17. Hex Bolt
18. Nut
19. Washer
20. Elbow
21. Hex Bolt
22. Nut
23. Washer
24. Stud bolt
25. Nut
26. Washer
27. Stud bolt
28. Nut
29. Washer
30. Plug
31. Gasket
32. Channel (shoes & channel optional)
33. Shoe (shoes & channel optional)
34. Counter sunk screw (shoes & channel optional)
35. By-pass series 37
36. O-Ring

Reference nos. and dimensions

AVK ref. nos.	DN mm	Closing dir.	L mm	H1 mm	H2 mm	W mm	W1 mm	F2 mm	ISO flange	By-pass DN	Theoretical weight kg
54-0700-33-1201402	700	CTC	610	1497	450	1359	834	116	14	100	1440
54-0800-33-1201402	800	CTC	660	1689	535	1488	908	116	14	100	1789