

## Temperature controller with digital indicator Model SC64, panel mounting series

WIKA data sheet AC 85.25

### Applications

- Temperature control in large plant:
  - General machine building
  - Refrigeration technology
  - Domestic and industrial heating

### Special features

- Temperature controller and digital indicator in a single instrument
- Long service life
- Simple operation
- High contact rating, up to 16 A
- For panel mounting



Temperature controller with digital indicator, model SC64

### Description

The model SC64 is a temperature controller for simple thermostat applications. It features simple operation and a high switch rating.

Its round case enables the instrument also to be used in applications where mechanical controllers were used so far. In addition, the SC64 can handle significantly more switching cycles.

## Standard version

### Nominal size in mm

60

### Sensor element

Pt100 resistance thermometer (preset), Pt1000 or PTC  
(selectable via software menu)

### Measuring range

Pt100, Pt1000: -80 ... +400 °C

PTC: -50 ... +130 °C

### Measuring accuracy

±1 K or ±0.5 % of measuring range

(greater value applies)

The actual value display can be an integer or have a resolution of 0.5 K or 0.1 K

### Display

3-digit LED display, 13 mm high, colour red

### Power supply

Model SC64.230:

AC 230 V, 50/60 Hz, current consumption max. 20 mA

Model SC64.024:

AC 12 ... 24 V, DC 16 ... 36 V, current consumption max. 30 mA

### Switching output

Relay output AC 250 V/16 A (2.2 A inductive load), contact normally open

### Electrical connections

Pin 1 up to 4: Fast-on connection 6.3 x 0.8 mm

Pin 5 and 6: Fast-on connection 2.8 x 0.5 mm

### Case

Plastic, black

### Weight

approx. 200 g

### Ingress protection

Front panel IP 65 (for panel mounting)

Terminals IP 00

### Mounting option

Panel mounting with mounting bracket

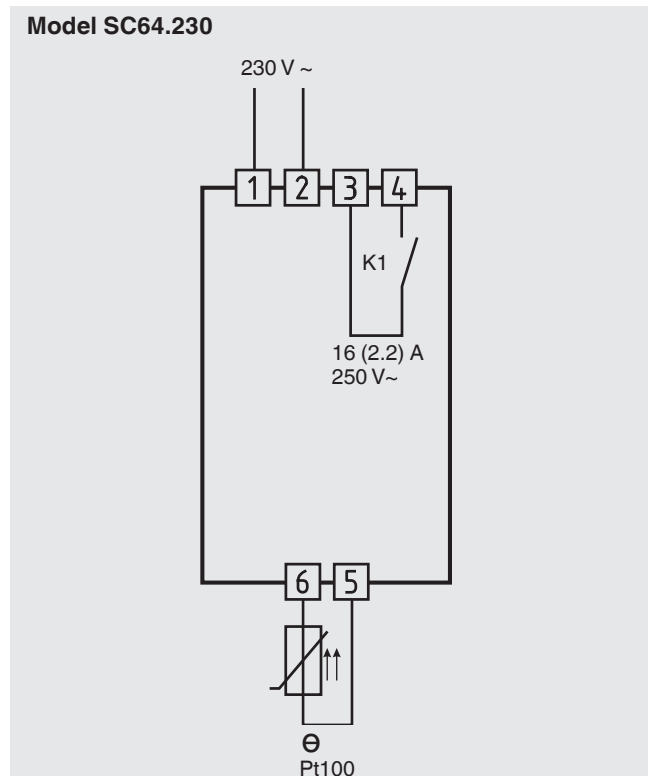
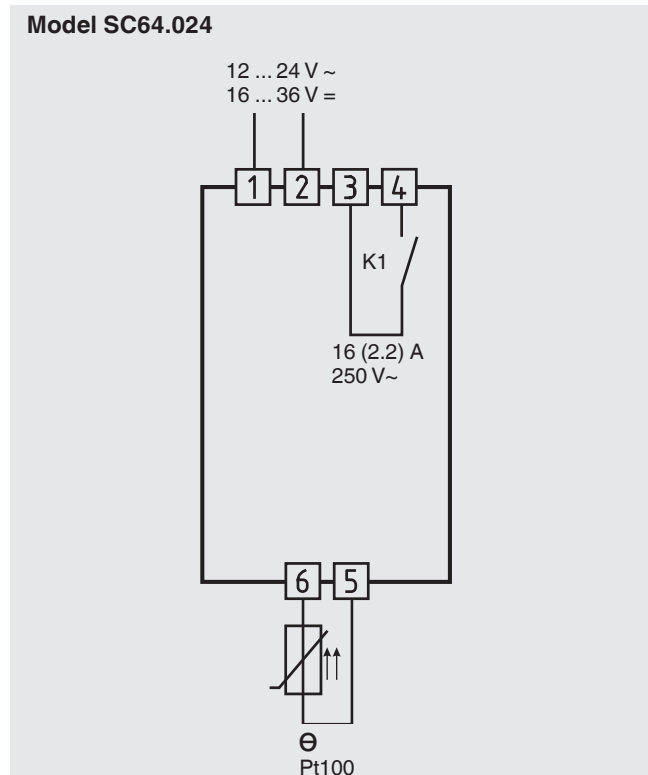
### Permissible ambient conditions

Storage temperature -20 ... +70 °C

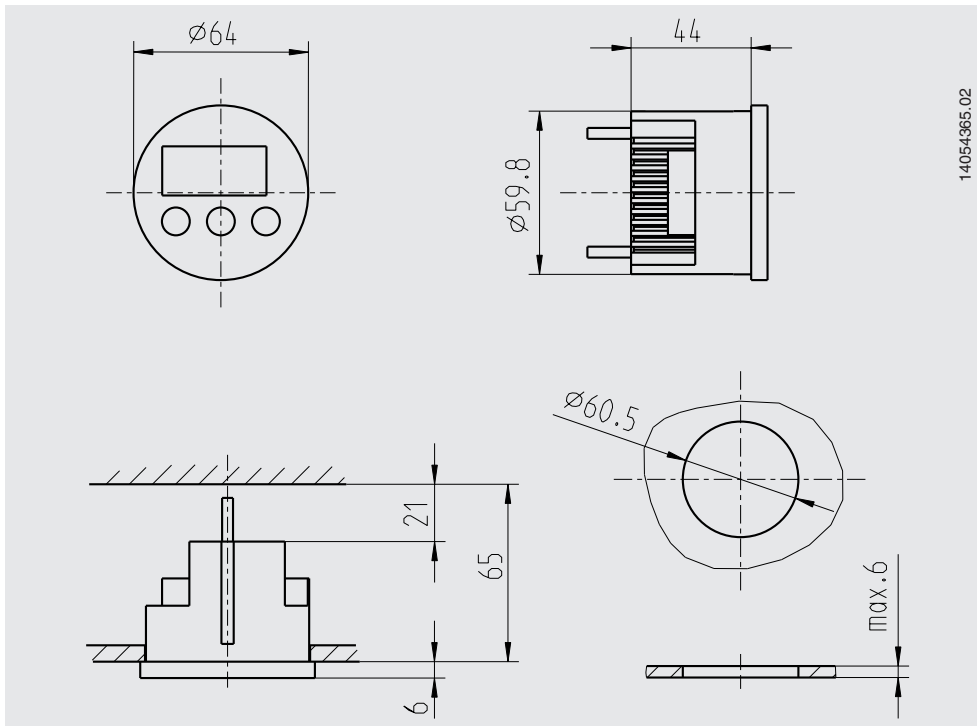
Operating temperature 0 ... 50 °C

Relative humidity max. 75 %, non-condensing

## Connection diagram



## Dimensions in mm



## CE conformity

### EMC directive

2004/108/EC, EN 61326 Emission (group 1, class B) and interference immunity (industrial application)

### Low voltage directive

2006/95/EC, EN 60730-1 and EN 60730-2-9

## Order information

Instrument version	Order number
Model SC64.230 (AC 230 V)	14054687
Model SC64.024 (AC 12 ... 24 V or DC 16 ... 36 V)	14054709

## Ordering information

To order the described product the given order number is sufficient.

© 2012 WIKA Alexander Wiegand SE & Co. KG, all rights reserved.  
The specifications given in this document represent the state of engineering at the time of publishing.  
We reserve the right to make modifications to the specifications and materials.

