

SANITARY SOLUTIONS^{INC.}

Bulldog Valves...Bulldog Tough.TM

T304 Black Plastic Clamp End Butterfly Valve



T304/Economical Price



Black Plastic Handle



Multiple Positions



EPDM Seat (standard)

Features of the Black Plastic Clamp End Butterfly Valves:

Economical Price for all sizes from 1.5"—4.00"

Maximum Operating Pressure: 85 PSI

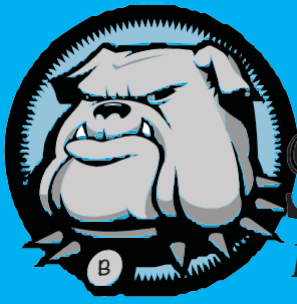
Handle interchangeable to either side

Field Serviceable

Operating temperature: 15°F to 195°F

Sanitary polished to a 32Ra or better on all wetted surfaces

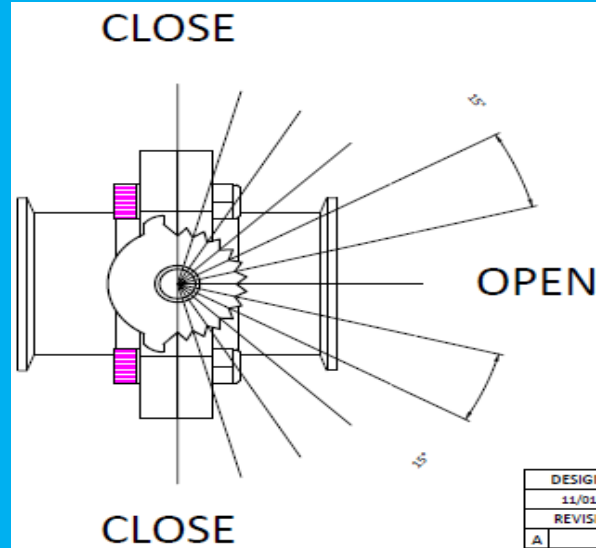
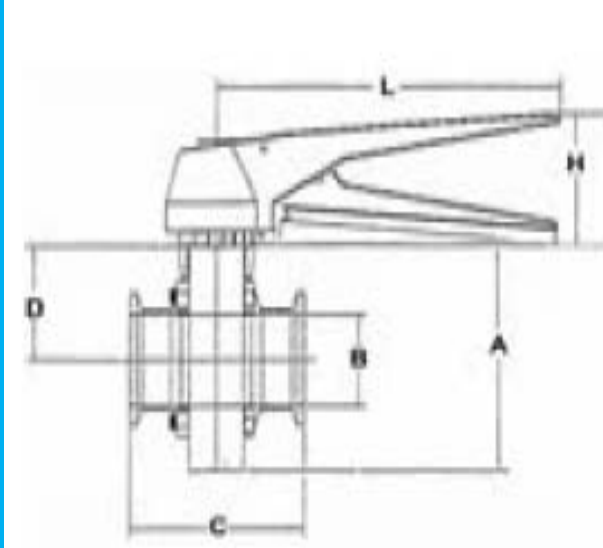
100% Hydraulic Pressure Tested



SANITARY SOLUTIONS INC.

Bulldog Valves...Bulldog Tough.™

T304 Black Plastic Clamp End Butterfly Valve Dimensions



Tube O.D. Size	A	B	C	D	H	L	Break Torque (in lbs.)EPDM	(PSI.) Rating	Flow Coefficient (CV)
1"	3.500"	1.000"	3.500"	1.750"	2.165"	6.102"	75	140	23
1.5"	3.750"	1.500"	3.500"	1.750"	2.165"	6.102"	130	140	80
2"	4.370"	2.000"	3.688"	1.940"	2.165"	6.102"	165	140	230
2.5"	4.750"	2.500"	3.750"	1.875"	2.165"	6.102"	210	110	264
3"	5.250"	3.000"	4.067"	2.034"	2.165"	6.102"	350	110	372
4"	6.380"	4.000"	4.750"	2.375"	2.165"	6.102"	540	85	800

"Black Plastic" Butterfly Valve PART NUMBER EXAMPLE WHEN ORDERING:

SSBFVPE-SIZE-304