



### Description & Features:

- Manufactured to GE® specifications
- Features a machined cast brass case with a machined cast aluminum bezel that is oil tight
- Consists of stainless steel and brass internals and stainless steel connection specific for turbine applications
- ASME B40.100 compliant
- CRN registered
- 5 year warranty

### Applications:

- Removable bezel and lens with an adjustable micrometer pointer for in-place calibration

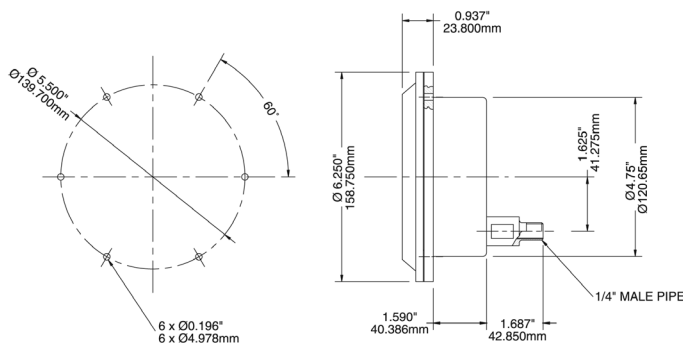
### Specifications

<b>Dial</b>	4.5" (115mm)
<b>Case</b>	Machined cast brass, painted black
<b>Lens</b>	Glass
<b>Bezel</b>	Machined cast aluminum bezel, painted black
<b>Socket</b>	316 SS
<b>Connection</b>	1/4" NPT standard
<b>Bourdon Tube</b>	316 SS
<b>Movement</b>	Brass
<b>Over-pressure Limit</b>	30% of full scale value
<b>Ambient/Process Temperature</b>	-40°F to 150°F (-40°C to 65°C)
<b>Working Pressure</b>	Maximum 75% of full scale value
<b>Accuracy</b>	±0.5% ANSI/ASME Grade 2A

### Order Codes

Pressure Range	Code
0/60 psi	PTB4101GE
0/400 psi	PTB4106GE

Other ranges and connection sizes available upon request. For scale change, refer to How to Order Guide for scale codes. Dial may require a service mark (i.e. "Pump Suction").



GE® is a registered trademark of General Electric. Gauges manufactured to GE® Drawing U175X.