

# SSR/SSI SERIES

## Vacuum Receiver



## Technical Specifications

SSR Series Vacuum Receivers from Sterling feature a modular stainless steel design, offering significant operational advantages. The modular design allows these units to be economically reconfigured to accommodate current and future production requirements. Pyrex™ sight glass on SSI models allow for easy visual monitoring of material levels.

SSR vacuum receivers are used at each loading point in any central vacuum conveying system. They are placed on virtually any processing equipment ranging from surge bins, to blenders to production machines. And, because of their modular design, they can also be placed in any new or existing conveying system.

## Features

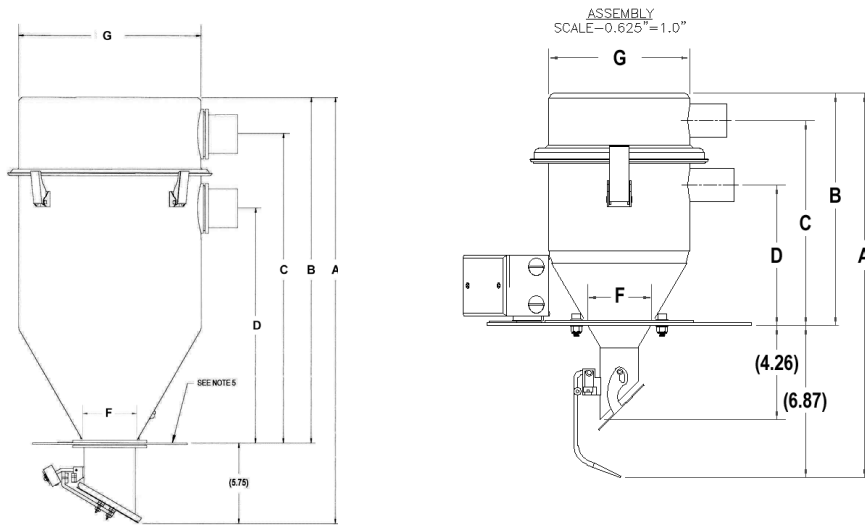
### Standard Features

- Brushed stainless steel construction
- Material demand/level sensor
- Internal check valve on material inlet for 1.5", 2.0", 2.5" and 3.0" (not available on 0.03, 0.1, or 0.2 cu. ft. models)
- Removable aluminum inlets and outlets on most models
- SSR03 - stainless steel non-removable (1.5")
- SSR06-SSR11 - removable aluminum (1.5-2.5" O.D.)
- SSR23 - removable aluminum (1.5-3.0" O.D.)
- SSR45 - removable aluminum (2.0-3.5" O.D.)
- SSR85-SSR170 - stainless steel welded (2.5"-4.5" OD) (5" 5CH 10 170 model only)
- SSR receivers include counter-weighted, angle discharge throat with throat gasket seal (SSR03 - 1.5" throat, SSR06-45 - 4" throat, SSR85-170 - 6" throat)
- Stainless steel filter screen (10 mesh) (0.03–1.6 cu. ft. models), stainless steel perforated pellet deflector (3.0–6.0 cu. ft. models)
- Vacuum outlet on side cover (SSR03, 06-45 models)
- Vacuum outlet on top of cover - straight outlet.  
Note - optional 90° outlets available for SSR85-170.
- Sight glass models feature Pyrex™ sight glass, 10-mesh stainless steel screen, and square mounting flange. Adjustable demand sensor SSI11 includes check valve for single-line Y applications.

### Optional Features

- Volume-fill sensor, 180°F maximum, 24 VDC or 115 VAC control voltage (not available on 0.03–0.1 cu. ft. models)
- Stainless steel 20 mesh screen for micro-pellet applications
- Polyester cloth filter in lieu of standard screen/deflector
- Nylon filter in lieu of standard screen/deflector (150 mesh)
- OptiView riser assembly, flange mount, 150°F ambient max. temp. (not available on SSR85-170)
- Machine-mount adapter for OptiView (or aluminum riser), (not available on SSR85-170)
- Aluminum riser, flange-mount only (not available on SSR03 or SSI models)
- Silo-mount riser with gasketed, non-vented access door, (SSR85-170)
- Aluminum riser with vented access door, (SSR85-170 only)
- High-temperature (400°F) silicone discharge throat gasket
- White neoprene discharge throat gasket, FDA approved, 180°F max. (not available on 0.03–0.1 cu. ft. SSR models)

## Product Diagrams



## Specifications

SR Dimensions, in. (cm)									
Model	A	B	C	D	E	F	G	H	J
SSR03	14.875 (38)	10.625 (27)	9.375 (24)	6.38 (16)	12 (31)	1.75 (4)	6.375 (16)	5.5 (14)	11 (28)
SSR06	16.75 (43)	11.5 (29)	9.50 (24)	5.5 (14)	12 (31)	4 (10)	9.125 (23)	N/A	11 (28)
SSR11	22.375 (57)	17.5 (45)	13.50 (34)	11.5 (29)	12 (31)	4 (10)	9.125 (23)	N/A	11 (28)
SSR23	26 (66)	20.125 (51)	17.625 (45)	11.625 (30)	12 (31)	4 (10)	14.125 (36)	N/A	11 (28)
SSR45	32.25 (82)	26.375 (67)	23.875 (61)	18.125 (46)	12 (31)	4 (10)	14.125 (36)	N/A	11 (28)
SSR85	46.56 (119)	39.21 (100)	N/A	25.75 (66)	16 (41)	6 (15)	20 (51)	N/A	15 (38)
SSR170	62.56 (159)	55.21 (140)	N/A	41.75 (106)	16 (41)	6 (15)	20 (51)	N/A	15 (38)

Model	Receiver Capacity cu. ft. (l)	Receiver Capacity lbs. (kg)	Shipping Weight lbs. (kg)	Standard inlet/outlet sizes	Sight Glass Capacity cu. ft. (l)	
SSR03	0.1 (2.8)	3 (1.5)	29 (13)	1.5 (38)	N/A	N/A
SSR06	0.2 (5.6)	6.0 (3.1)	31 (14)	1.5, 2 (38, 51)	N/A	N/A
SSR11	0.4 (11.3)	12.0 (6.3)	33 (15)	1.5, 2, 2.5 (38, 51, 64)	N/A	N/A
SSR23	0.8 (22)	25 (12.7)	40 (18)	2, 2.5, 3 (51, 64, 76)	N/A	N/A
SSR45	1.6 (45)	50 (25.4)	43 (20)	2, 2.5, 3, 3.5 (51, 64, 76, 89)	N/A	N/A
SSR85	3.0 (85)	100 (45)	75 (34)	2.5, 3, 3.5, 4, 4.5 (64, 76, 89, 101, 114)	N/A	N/A
SSR170	6.0 (170)	200 (90)	95 (43)	2.5, 3, 3.5, 4, 4.5, 5 sch. 10 (64, 76, 89, 101, 114, 143)	N/A	N/A

\* Based on 35#/cu ft bulk density