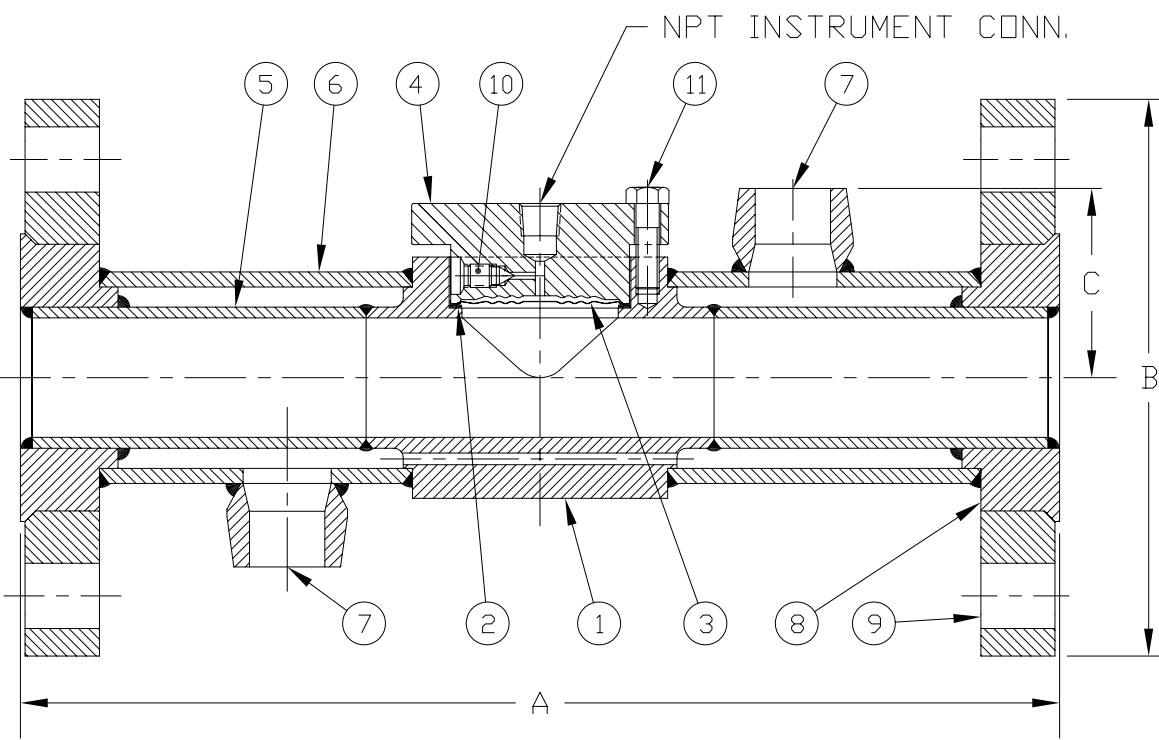


SOLD TO : ULTIMATE CUSTOMER : (IF AVAILABLE)		P.O. # : P.O. # :
AMETEK NO. :	DRW. TO :	CUST. SPEC. NO. :
ORDER ITEM NO. :	QUANTITY :	FILL FLUID :



DESCRIPTION	QTY.
① BODY	1
② GASKET	1
③ DIAPHRAGM 316 ELC	1
④ TOP	1
⑤ PROCESS PIPE	2
⑥ JACKET PIPE	2
⑦ SOCKLET	2
⑧ FLANGE RING	2
⑨ PROCESS FLANGE	2
⑩ BLEED SCREW	1
⑪ SCREW, 5/16-18 X 1" HEX HD. CAP	8

TYPE SNJ
SEE SK-5966-1
FOR DIMENSIONS

INSTRUMENT DESCRIPTION

- INSTALLATION:
- CONNECT PROCESS FLANGE PART #9 TO STANDARD ASA FLANGES ON PROCESS LINE. INSTALL GASKET PART #2, AND CALIBRATED UNIT (TOP PART #4, DIAPHRAGM PART #3, BLEED SCREW PART #10)
 - SECURE WITH SCREWS PART #11. TORQUE TO 20-25 FT. LBS IN AN ALTERNATING PATTERN.
- OPERATION:
- WHEN CLEANING IS REQUIRED, REMOVE SCREWS PART #11, CALIBRATED UNIT, AND GASKET PART #2.
 - CLEAN AND REINSTALL USING A NEW GASKET.
- CAUTION :
- DO NOT LOOSEN INSTRUMENT OR BLEED SCREW PART #10 AS LOSS OF LIQUID FILL WILL RESULT AND RECALIBRATION WILL BE NECESSARY.

DRAWING CERTIFIED CORRECT,
DATE :

AMETEK

	AMETEK	TEST AND CALIBRATION INSTRUMENTS DIVISION	LARGO, FL
--	---------------	---	-----------

CODE IDENT. NO. 92456	REVISION A	DATE 10/26/94								AMETEK SEAL TYPE SNJ DATA AND INSTRUCTION SHEET DRAWING NO.: SK-5966
--------------------------	---------------	------------------	--	--	--	--	--	--	--	--