



CAT. 2012-00

Stainless Products, Inc.

www.stainless-products.com



Replacement Parts

Stainless Products, Inc.

1649 72nd Avenue

Somers, WI 53171

Ph: 800-558-9446 • 262-859-2826 Fax: 262-859-2871

www.stainless-products.com

Table of Contents

Section A Shut off and Divert Valves	Pages
SP10-SP20 and SP110-120 Actuators	1-3
SP10MS/PRX and SP110MS/PRX	4-5
SP160 Shut-off and Divert Valves	6
SP161 Shut-off and Divert Valves	7
SP164 and SP165 Elbow Valves	8
SP163 and SP1613 Tank Outlet Valves	9
SP161 4" Shut-off and Divert	10
SP10-1/2"-SP20-1/2" Actuators	11
SP160 Fractional Valves	12
SP45V Check Valves	13
Section B Modulating Valves	Pages
SP10VPD and SP20VPR	1-3
SP160 Modulating Valves	4
SP160 Micro-Flow Valves	5
Taylor Actuator Adaptors	6
Section C Butterfly Valves	Pages
Hand Operated Butterfly Valves	1-2
Butterfly Valve Air Actuator	3
6" Butterfly Valve	4

Please contact the factory or visit our website to inquire on our complete line of stainless steel flow components.

Section A

Shut-Off Valves and Divert Valves

Elastomer Options

Actuator Elastomers: Buna, EPDM

Valve Wetted Parts:

Plug and Stem: EPDM, Viton®, PTFE

Stem O-Rings Viton®, EPDM

Body Gaskets EPDM, Viton®, Buna

Cleaning

CIP cleaning methods can be used when air actuated valves are installed. Check with local suppliers for the ideal chemicals to be used based on your requirements for effective cleaning.

Valves should be “cycled” during each step of the CIP process... failure to do this can result in premature failure of valve seats and O-Rings.

Using incorrect concentrations of CIP cleaning agents, excessive temperatures and exposure times can also lead to premature failure, consult your local chemical supplier for proper guidelines.

**** Note **** Buna-N is not recommended for use with CIP Sanitizing Agent OXONIA; use EPDM or Viton®
EPDM or Viton ® is recommended for ozone treated water.

Inspection

All components should be inspected based on your annual maintenance schedule. Valves that are “cycled” more often should follow their own maintenance schedule.

Inspect all valve seats and O-Rings for excessive wear. Replace all parts that show any type of wear, failure to do so can cause permanent damage.

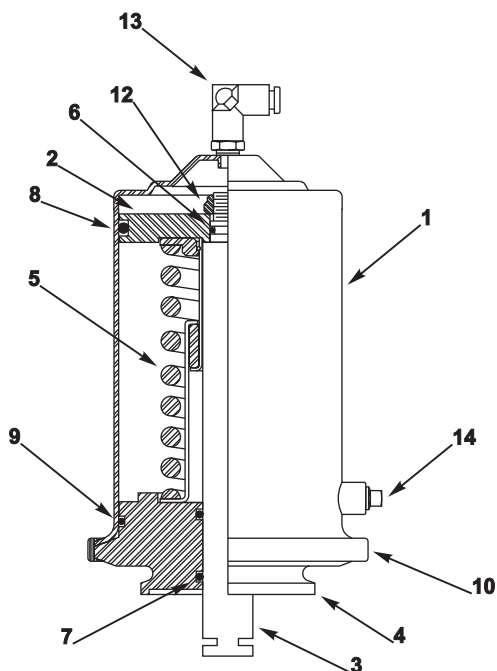
Always follow strict safety guidelines with servicing all valves. Please contact factory at 800-558-9446 for assistance if needed.

Ordering Spare Parts

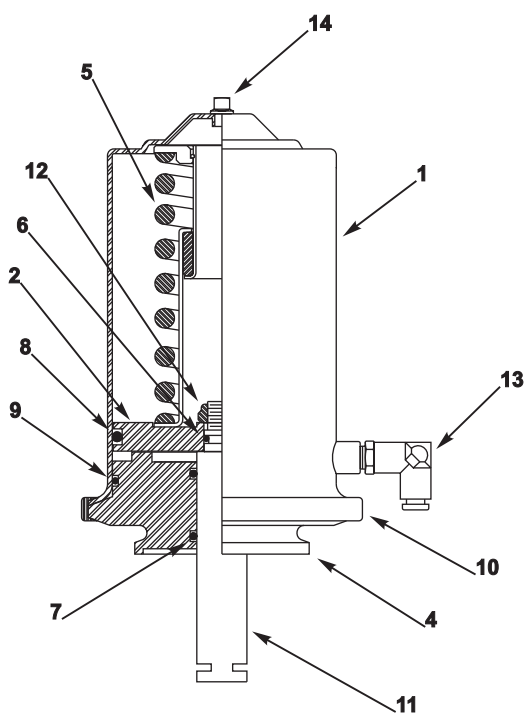
When ordering spare parts, please contact the factory via Phone: 800-558-9446 or Fax: 262-859-2871, if assistance is needed. If possible please have the valve serial number available.

Short Stroke Actuators

SP10 Actuator
Air-to-close: Spring-to-open



SP20 Actuator
Air-to-open: Spring-to-close

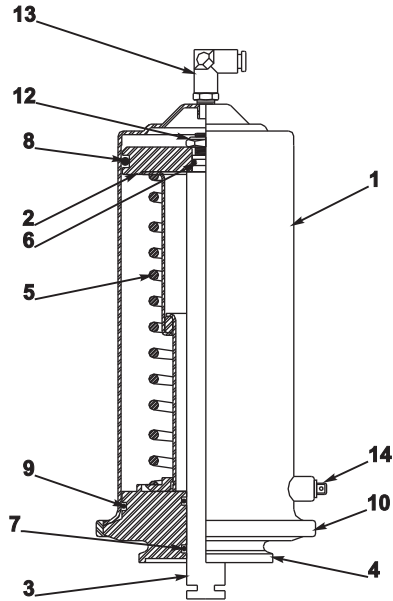


SP10 and SP20 Replacement Parts

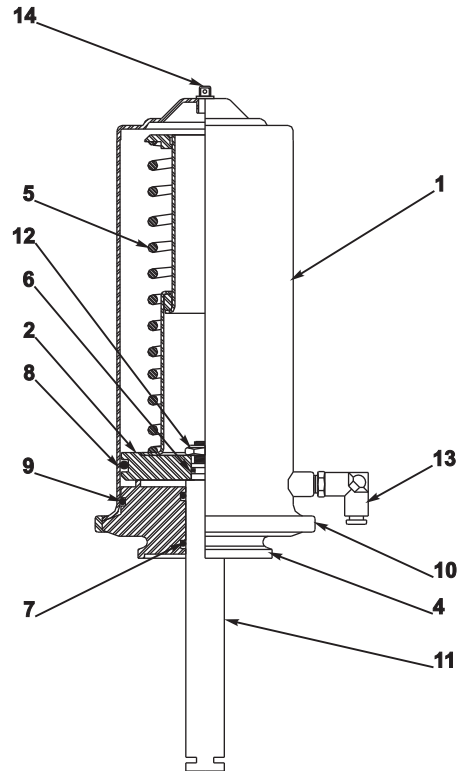
Part Number	Part Name	Description
1	SP10-1	Cylinder Assembly
2	SP10-2	Piston
3	SP10-2D	Actuator Stem
4	SP10-4	Actuator Foot
5	SP10-5	Spring and Cage Assembly
5A	SP10-5A	Spring
5B	SP10-5B	O.D. Guide
5C	SP10-5C	I.D. Guide
5D	SP10-5D	Retaining Flange
5E	SP10-5E	Brass Bushing
5F	SP10-5R	Retaining Ring
6	SP10-6	Upper Stem O-Ring
7	SP10-7	Lower Stem O-Ring
8	SP10-8	Piston O-Ring
9	SP10-9	Foot O-Ring
10	SP13HC-4"	Actuator Clamp
11	SP20-2D	Actuator Stem
12	SP10-12	Stem Nut
13	SP10-14	Poly Tube Connector
14	SP10-15BV	Breather Vent Plug

Long Stroke Actuators

SP110 Actuator
Air-to-close:Spring-to-open



SP120 Actuator
Air-to-open:Spring-to-close

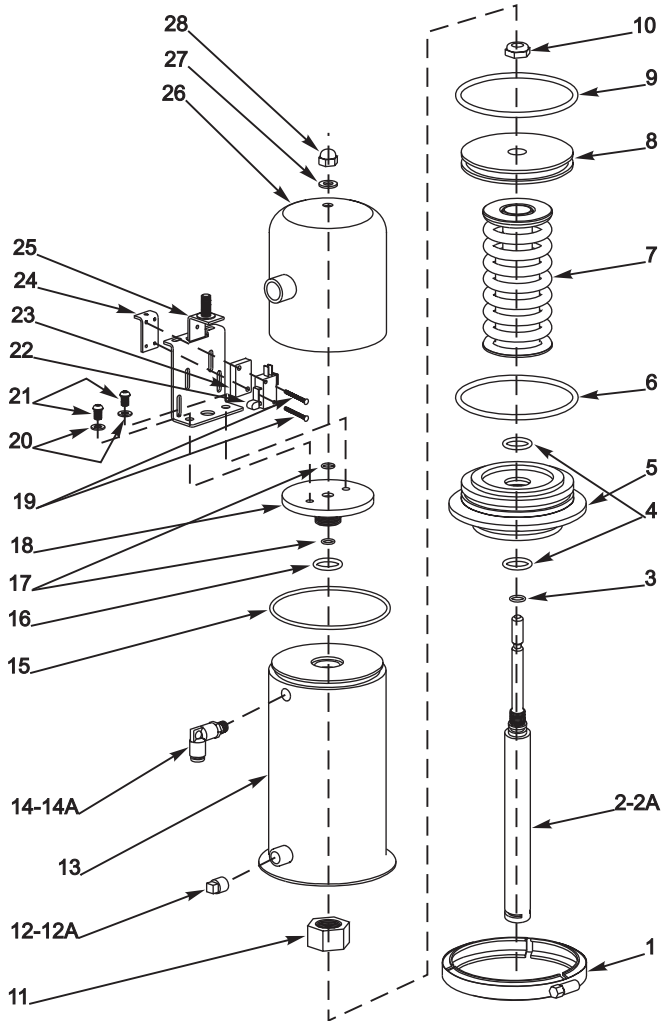


SP110 and SP120 Replacement Parts

Part Number	Part Name	Description
1	SP110-1	Cylinder Assembly
2	SP110-2	Piston
3	SP110-2D	Actuator Stem
4	SP110-4	Actuator Foot
5	SP110-5	Spring and Cage Assembly
5A	SP110-5A	Spring
5B	SP110-5B	O.D. Guide
5C	SP110-5C	I.D. Guide
5D	SP110-5D	Retaining Flange
5E	SP110-5E	Brass Bushing
5F	SP110-5R	Retaining Ring
6	SP10-6	Upper Stem O-Ring
7	SP10-7	Lower Stem O-Ring
8	SP10-8	Piston O-Ring
9	SP10-9	Foot O-Ring
10	SP13HC-4"	Actuator Clamp
11	SP120-2D	Actuator Stem
12	SP10-12	Stem Nut
13	SP10-14	Poly Tube Connector
14	SP10-15BV	Breather Vent Plug

Micro-Switch Actuator

SP10MS/PRX & SP20MS/PRX Short Stroke

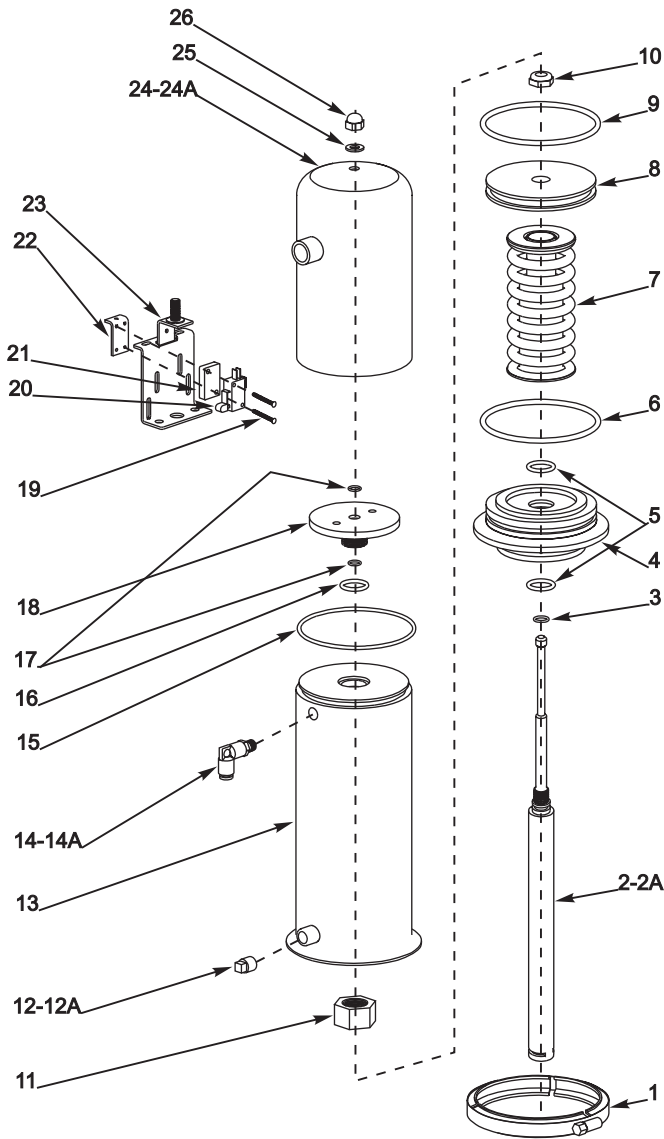


SP10MS and SP20MS		
1	SP13HC-4"	Actuator Clamp
2	SP10MS-2D	Actuator Stem
2A	SP20MS-2D	Actuator Stem
3	SP10-6	Upper Stem O-Ring
4	SP10-7	Lower Stem O-Ring
5	SP10-4	Actuator Foot
6	SP10-9	Foot O-Ring
7	SP10-5	Spring and Cage
8	SP10-2	Piston
9	SP10-8	Piston O-Ring
10	SP10-12	Stem Nut
11	SP10MS-1BN	Base Plate Nut
12	SP10-15BV	IP Adapter Plug
12A	SP10MS-15BV	IP Adapter Plug
13	SP10MS-1	Cylinder
14	SP10MS-14	Poly-Tube Connector
14A	SP10-14	Poly-Tube Connector
15	SP10-9	Cover O-Ring
16	SP10-7	Base Plate O-Ring
17	SP10MS-40B	Indicator Stem O-Ring
18	SP10MS-1B	Base Plate
19	SP10MS-3C	Micro-Switch Screw
20	SP10MS-3K	Micro-Switch Washer
21	SP10MS-3L	MS Bracket Screw
22	SP10MS-3B	Micro-Switch
23	SP10MS-3A	MS Mounting Block
24	SP10MS-3D	MS Adjusting Bracket
25	SP10MS-3	Micro-Switch Bracket
26	SP10MS-1A	Micro-Switch Housing
27	SP10MS-1CW	MS Housing Washer
28	SP10MS-1C	Acorn Nut

Contact factory for Prox-Switch information

Micro-Switch Actuators

SP110MS/PRX & SP120MS/PRX Long Stroke

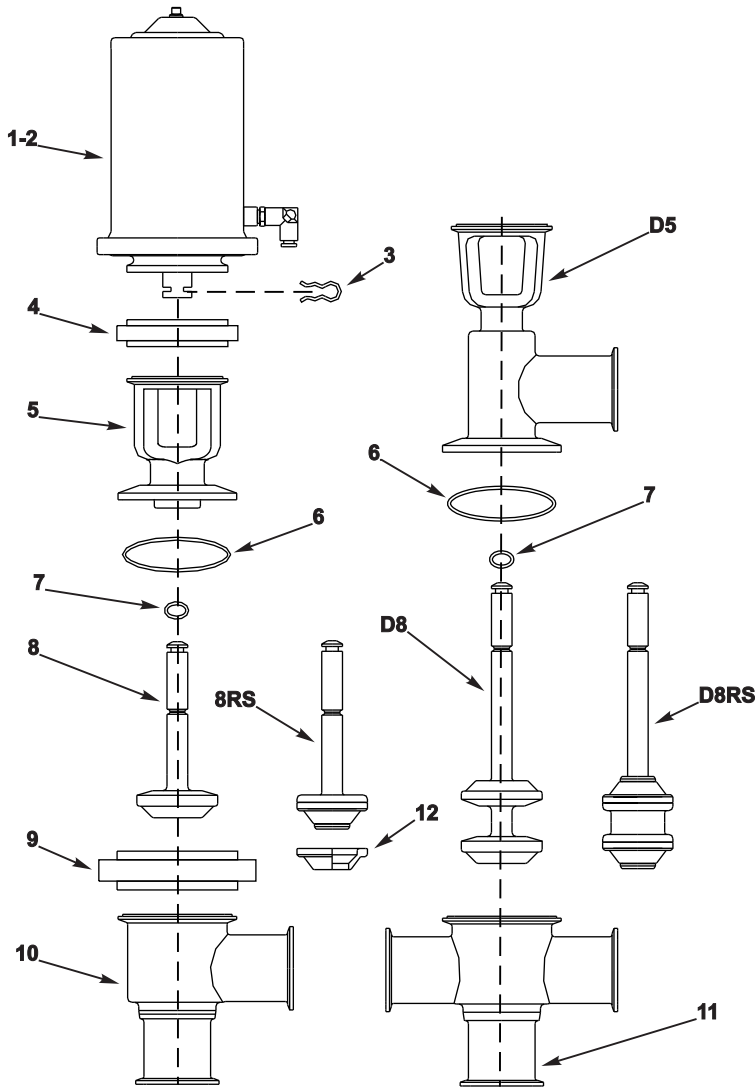


SP110MS and SP120MS		
1	SP13HC-4"	Actuator Clamp
2	SP110MS-2D	Actuator Stem
2A	SP120MS-2D	Actuator Stem
3	SP10-6	Upper Stem O-Ring
4	SP10-7	Lower Stem O-Ring
5	SP110-4	Actuator Foot
6	SP10-9	Foot O-Ring
7	SP110-5	Spring and Cage
8	SP110-2	Piston
9	SP10-8	Piston O-Ring
10	SP10-12	Stem Nut
11	SP10MS-1BN	Base Plate Nut
12	SP10-15BV	IP Adapter Plug
12A	SP10MS-15BV	IP Adapter Plug
13	SP110MS-1	Cylinder
14	SP10MS-14	Poly-Tube Connector
14A	SP10-14	Poly-Tube Connector
15	SP10-9	Cover O-Ring
16	SP10-7	Base Plate O-Ring
17	SP10MS-40B	Indicator Stem O-Ring
18	SP10MS-1B	Base Plate
19	SP10MS-3C	Micro-Switch Screw
20	SP10MS-3B	Micro-Switch
21	SP10MS-3A	Micro-Switch Block
22	SP10MS-3D	MS Adjusting Bracket
23	SP110MS-3	Micro-Switch Bracket
24	SP110MS-1A	Micro-Switch Housing
24A	SP120MS-1A	Micro-Switch Housing
25	SP10MS-1CW	MS Housing Washer
26	SP10MS-1C	Acorn Nut

Contact factory for Prox-Switch information

Shut Off and Divert Valves

SP160-7 & SP160-77 Short Stroke Valves

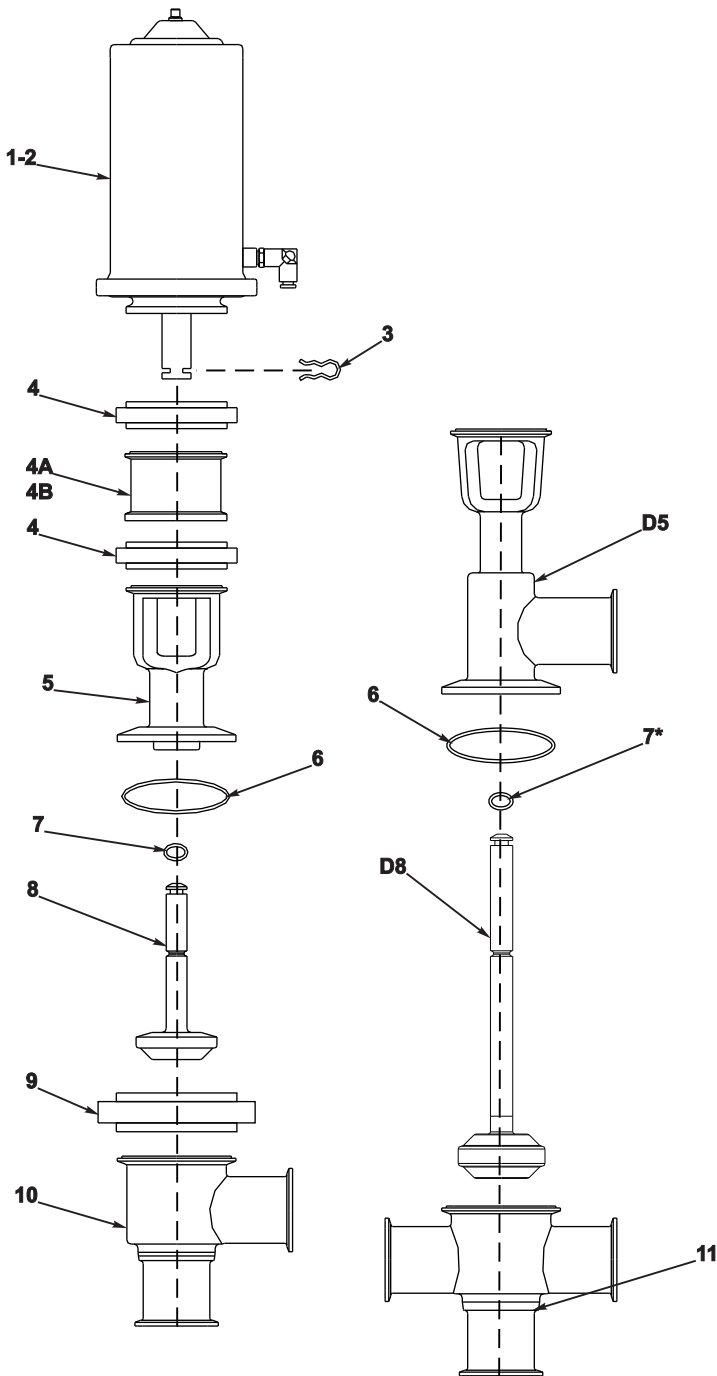


Short Stroke Shut off and Divert		
1	SP10	Actuator (Air to Close)
2	SP20	Actuator (Air to Open)
3	SP160-7-1.5-9	Spring Clip
4	SP13Z-2.5"	Bonnet Clamp
5	SP160-7-x-3	Bonnet
6	SP40B-2.5"	Gasket for 1.5" Valve
	SP40B-3"	Gasket for 2" Valve
	SP40B-3.5"	Gasket for 2.5" Valve
	SP40B-4"	Gasket for 3" Valve
7	SP10-6	Stem O-Ring
8	SP160-7-x-2	Shut-off Stem
8RS	SP160-7RS-x-2TS	PTFE Shut-off Stem
9	SP13HC-2.5"	Clamp for 1.5" Valve
	SP13HC-3"	Clamp for 2" Valve
	SP13HC-3.5"	Clamp for 2.5" Valve
	SP13HC-4"	Clamp for 3" Valve
10	SP160-7-x-1	Tee Body
11	SP160-9-x-1	Cross Body
12	SP160-7RS-x-2TH	PTFE Seat
D5	SP160-77-x-1	Divert Upper Body
D8	SP160-77-x-2	Divert Plug and Stem
D8RS	SP160-77RS-x-2TS	PTFE Divert Plug and Stem

x= Valve Size

Shut Off and Divert Valves

SP161-7 & SP161-77 Long Stroke Valves



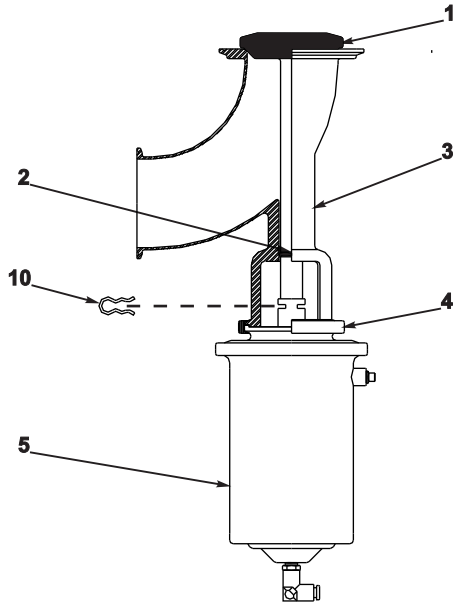
Long Stroke Shut off and Divert		
1	SP110	Actuator (Air to Close)
2	SP120	Actuator (Air to Open)
3	SP160-7-1.5-9	Spring Clip
4	SP13Z-2.5"	Bonnet Clamp
4A	SP161-4	Spool Piece
4B	SP161-4-DLS	3" Valve Spool Piece
5	SP161-7-x-3	Bonnet
6	SP40B-2.5"	Gasket for 1.5" Valve
	SP40B-3"	Gasket for 2" Valve
	SP40B-3.5"	Gasket for 2.5" Valve
	SP40B-4"	Gasket for 3" Valve
7	SP10-6	Stem O-Ring
7*	SP10-6-3"	Stem O-Ring 3" Divert Only
8	SP161-7-x-2	Shut-off Stem
8RS	SP161-7RS-x-2TS	PTFE Shut-off Stem
9	SP13HC-2.5"	Clamp for 1.5" Valve
	SP13HC-3"	Clamp for 2" Valve
	SP13HC-3.5"	Clamp for 2.5" Valve
	SP13HC-4"	Clamp for 3" Valve
10	SP160-7-x-1	Tee Body
11	SP160-9-x-1	Cross Body
12	SP160-7RS-x-2TH	PTFE Seat
D5	SP161-77-x-1	Divert Upper Body
D8	SP161-77-x-2	Divert Plug and Stem
D8RS	SP161-77RS-x-2TS	PTFE Divert Plug and Stem

x= Valve Size

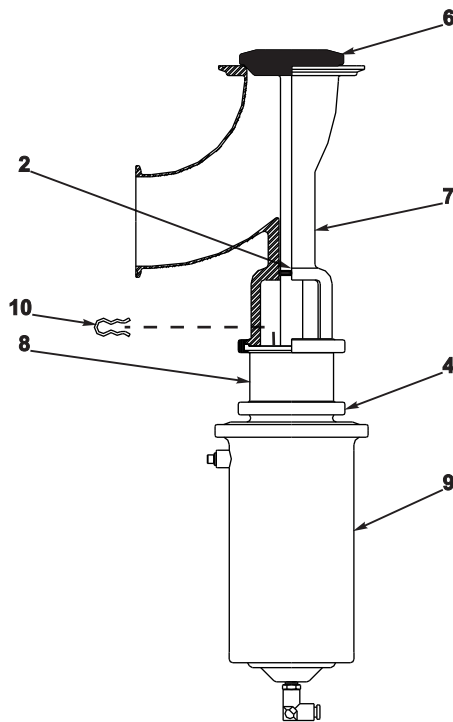
Elbow Valves

SP164 & SP165 Elbow Valves

SP164 Short Stroke



SP165 Long Stroke

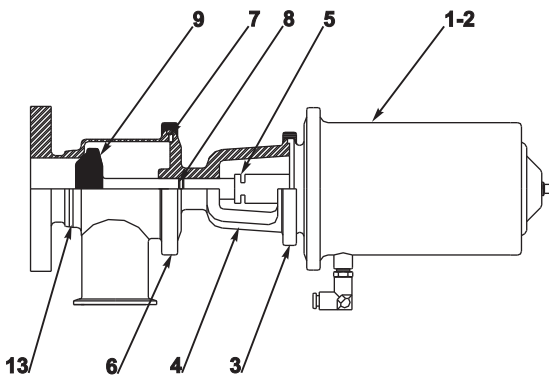
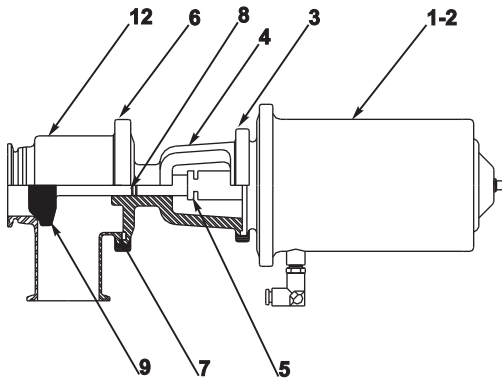
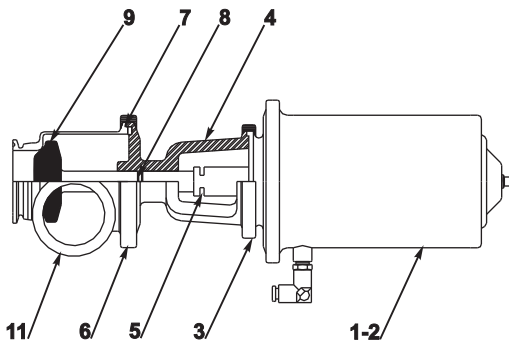
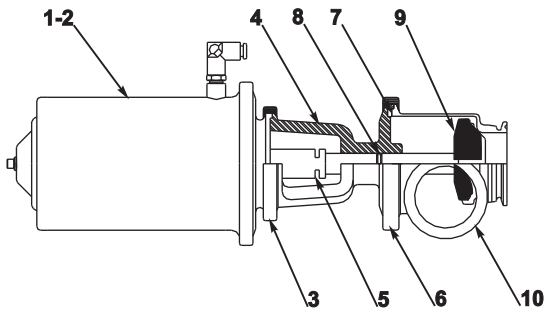


Elbow Valves		
1	SP164-7-x-2	Plug and Stem
2	SP10-6	Stem O-Ring
3	SP164-7-x-1	Body & Bonnet
4	SP13Z-2.5"	Bonnet Clamp
5	SP10	Actuator (air to close)
6	SP165-7-x-2	Plug and Stem
7	SP165-7-x-1	Body and Bonnet
8	SP161-4	Adapter Spool
9	SP110	Actuator (air to close)
10	SP160-7-1.5-9	Spring Clip

x= Valve Size

Tank Outlet Valves

SP163 and SP1613 Tank Outlet Valves



SP163 Short Stroke Tank Outlet Valves

1	SP10	Actuator (Air to Close)
2	SP20	Actuator (Air to Open)
3	SP13Z-2.5"	Bonnet Clamp
4	SP160-7-x-3	Bonnet
5	SP160-7-1.5"-9	Spring Clip
6	SP13HC-2.5" SP13HC-3" SP13HC-3.5" SP13HC-4"	Clamp for 1.5" Valve Clamp for 2" Valve Clamp for 2.5" Valve Clamp for 3" Valve
7	SP40B-2.5" SP40B-3" SP40B-3.5" SP40B-4"	Body Gasket for 1.5" Valve Body Gasket for 2" Valve Body Gasket for 2.5" Valve Body Gasket for 3" Valve
8	SP10-6	Stem O-Ring
9	SP160-7-x-2	Plug and Stem
10	SP163R-7-x-1	Tang. Right Tee Body
11	SP163L-7-x-1	Tang. Left Tee Body
12	SP163S-7-x-1	Straight Tee Body
13	SP163F-7-x-1	Flange Tee Body

SP1613 Long Stroke Tank Outlet Valves

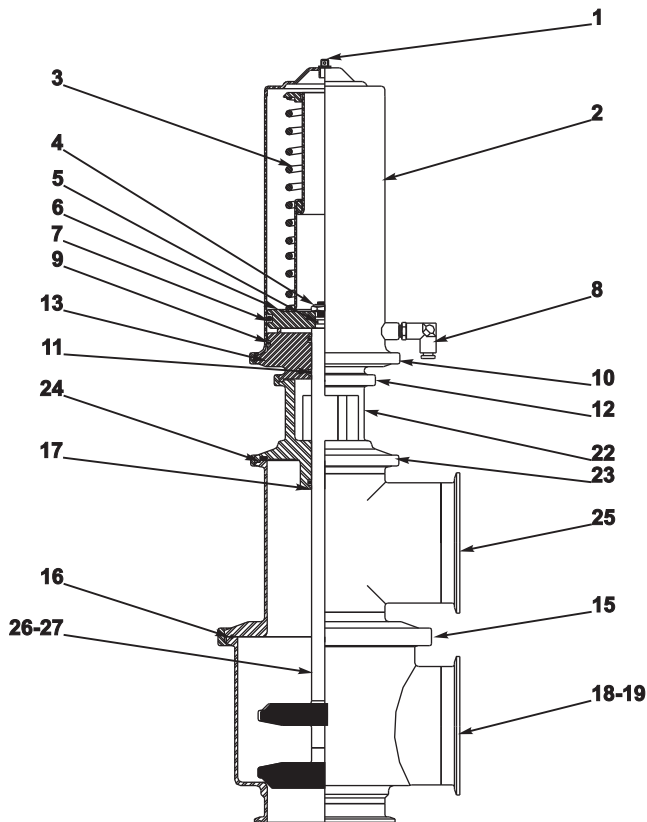
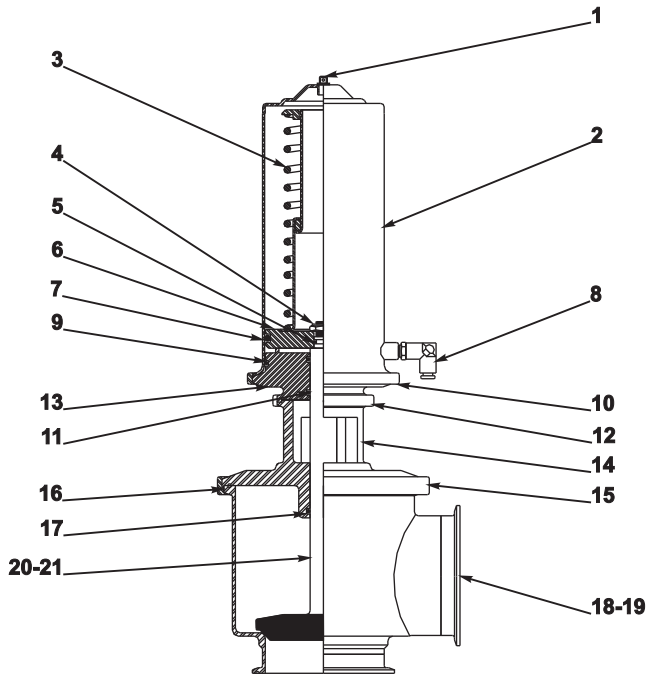
1	SP110	Actuator (Air to Close)
2	SP120	Actuator (Air to Open)
3	SP13Z-2.5"	Bonnet Clamp
4	SP161-7-x-3	Bonnet
**	SP161-4	Spool Piece
5	SP160-7-1.5"-9	Spring Clip
6	SP13HC-2.5" SP13HC-3" SP13HC-3.5" SP13HC-4"	Clamp for 1.5" Valve Clamp for 2" Valve Clamp for 2.5" Valve Clamp for 3" Valve
7	SP40B-2.5" SP40B-3" SP40B-3.5" SP40B-4"	Body Gasket for 1.5" Valve Body Gasket for 2" Valve Body Gasket for 2.5" Valve Body Gasket for 3" Valve
8	SP10-6	Stem O-Ring
9	SP161-7-x-2	Plug and Stem
10	SP163R-7-x-1	Tang. Right Tee Body
11	SP163L-7-x-1	Tang. Left Tee Body
12	SP163S-7-x-1	Straight Tee Body
13	SP163F-7-x-1	Flange Tee Body

** Not Shown

x= Valve Size

4" Shut-Off and Divert Valves

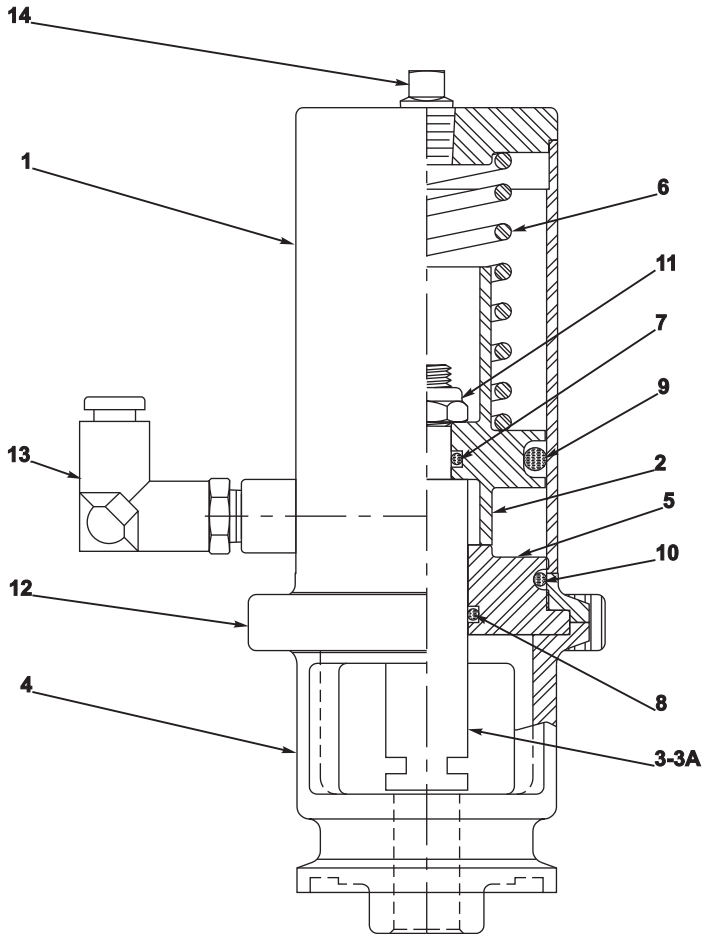
SP161-7 and SP161-77



4" Shut-Off Valves		
1	SP10-15BV	IP Adatper Plug
2	SP110-1	Cylinder Assembly
3	SP110-5	Spring and Cage Assem.
4	SP10-12	Stem Nut
5	SP10-6	Upper Stem O-Ring
6	SP110-2	Piston
7	SP10-8	Piston O-Ring
8	SP10-14	Poly-Tube Connector
9	SP10-9	Foot O-Ring
10	SP13HC-4"	Actuator Clamp
11	SP10-7	Lower Stem O-Ring
12	SP13Z-2.5"	Bonnet Clamp
13	SP10-4	Cylinder Foot
14	SP161-7-4"-3	Bonnet
15	SP13HC-6"	Body Clamp
16	SP40-6"	Body Gasket
17	SP10-7	Bonnet O-Ring
18	SP161-7-4"-1	Tee Body
19	SP161-9-4"-1	Cross Body (not shown)
20	SP161-7-4"-2	Plug and Stem #120 (N.C.)
21	SP161-7-4"-2	Plug and Stem # 110 (N.O.)
22	SP161-77-4"-3	Divert Bonnet
23	SP13HC-4"	Upper Body Clamp
24	SP40-4"	Upper Body Gasket
25	SP161-77-4"-1	Upper Divert Body
26	SP161-77-4"-2	Divert Plug and Stem #120 (N.C.)
27	SP161-77-4"-2	Divert Plug and Stem #110 (N.O.)

Fractional Actuators

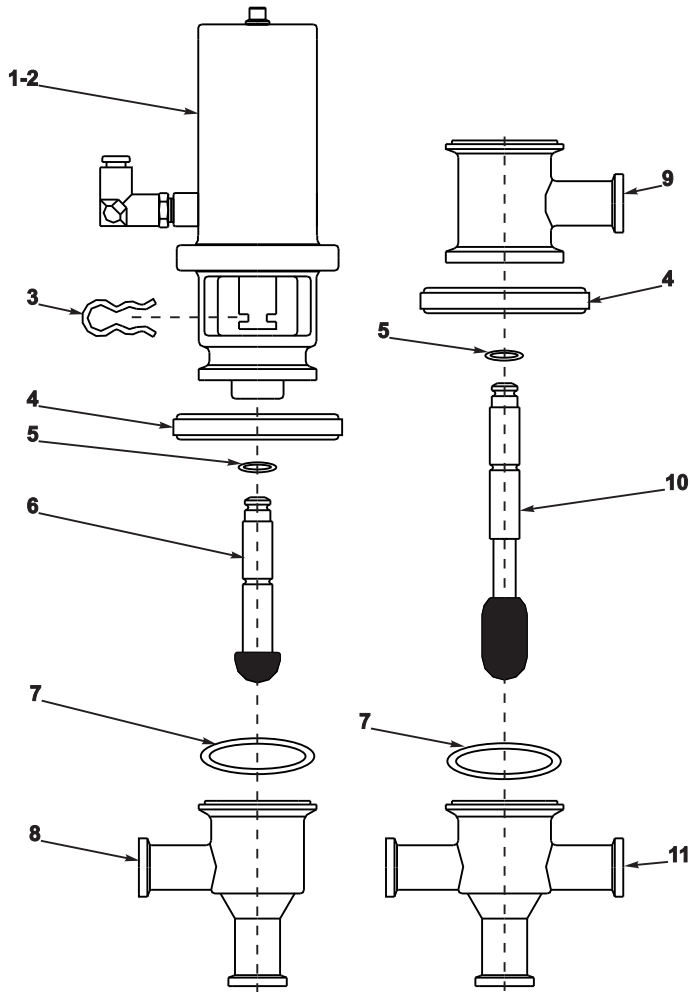
SP10-1/2" and SP20-1/2" Actuators



Fractional Actuator Spare Parts		
1	SP10-1/2"-1	Cylinder Assembly
2	SP10-1/2"-2	Piston
3	SP10-1/2"-2D	Stem (Air to Close)
3A	SP20-1/2"-2D	Stem (Air to Open)
4	SP160-7-1/2"-3	Bonnet
5	SP10-1/2"-4	Cylinder Foot
6	SP10-1/2"-5	Spring
7	SP10-1/2"-6	Upper Stem O-Ring
8	SP10-1/2"-7	Lower Stem O-Ring
9	SP10-1/2"-8	Piston O-Ring
10	SP10-1/2"-9	Cylinder Foot O-Ring
11	SP10-1/2"-12	Stem Nut
12	SP13HC-2"	Bonnet Clamp
13	SP10-14	Poly-Tube Connector
14	SP10-15BV	I.P. Adapter

Fractional Valves

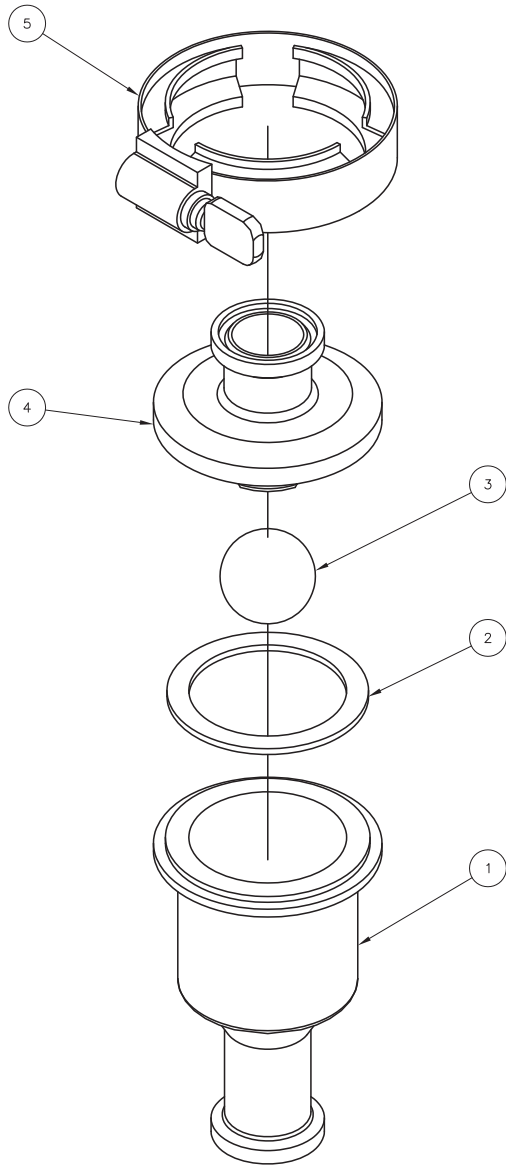
SP160-7 and SP160-77 Fractional Valves



Fractional Valve Spare Parts		
1	SP10-1/2"	Actuator (Air to Close)
2	SP20-1/2"	Actuator (Air to Open)
3	SP160-7-1.5"-9	Spring Clip
4	SP13HC-1.5"	Clamp
5	SP160-7-1/2"-2OR	Stem O-Ring
6	SP160-7-1/2-2	Plug and Stem
7	SP40B-3/4"	Bonnet Gasket
8	SP160-7-x-1	Tee Body
9	SP160-77-x-1	Divert Body
10	SP160-77-1/2"-2	Divert Plug and Stem
11	SP160-9-x-1	Cross Body

x= Valve Size

SP45V Fractional Check Valve



SP45V Spare Parts		
1	SP45V-x-C	Lower Body
2	SP40B-3/4"	Body Gasket (Viton)
3	SP45V-1/2"-B	Teflon Ball (.828 Dia)
4	SP45V-x-A	Upper Body
5	SP13HC-1.5"	Clamp

1/2" or 3/4" only

x= Valve Size

Section B

Modulating Valves

Elastomer Options

Actuator Elastomers: Buna, EPDM

Valve Wetted Parts:

Plug and Stem: EPDM, Viton®, PTFE

Stem O-Rings Viton®, EPDM

Body Gaskets EPDM, Viton®, Buna

Cleaning

CIP cleaning methods can be used when air actuated valves are installed. Check with local suppliers for the ideal chemicals to be used based on your requirements for effective cleaning.

Valves should be “cycled” during each step of the CIP process... failure to do this can result in premature failure of valve seats and O-Rings.

Using incorrect concentrations of CIP cleaning agents, excessive temperatures and exposure times can also lead to premature failure, consult your local chemical supplier for proper guidelines.

**** Note **** Buna-N is not recommended for use with CIP Sanitizing Agent OXONIA; use EPDM or Viton®
EPDM or Viton ® is recommended for ozone treated water.

Inspection

All components should be inspected based on your annual maintenance schedule. Valves that are “cycled” more often should follow their own maintenance schedule.

Inspect all valve seats and O-Rings for excessive wear. Replace all parts that show any type of wear, failure to do so can cause permanent damage.

Always follow strict safety guidelines with servicing all valves. Please contact factory at 800-558-9446 for assistance if needed.

Ordering Spare Parts

When ordering spare parts, please contact the factory via Phone: 800-558-9446 or Fax: 262-859-2871, if assistance is needed. If possible please have the valve serial number available.

SP10VPD and SP20VPR

General Specifications:

Instrument Input Pressure Range: 3-15 PSI

Supply Pressure: Min. 3 PSI above required actuator pressure / Max: 100 PSI

Pneumatic Connections : 1/4" NPT

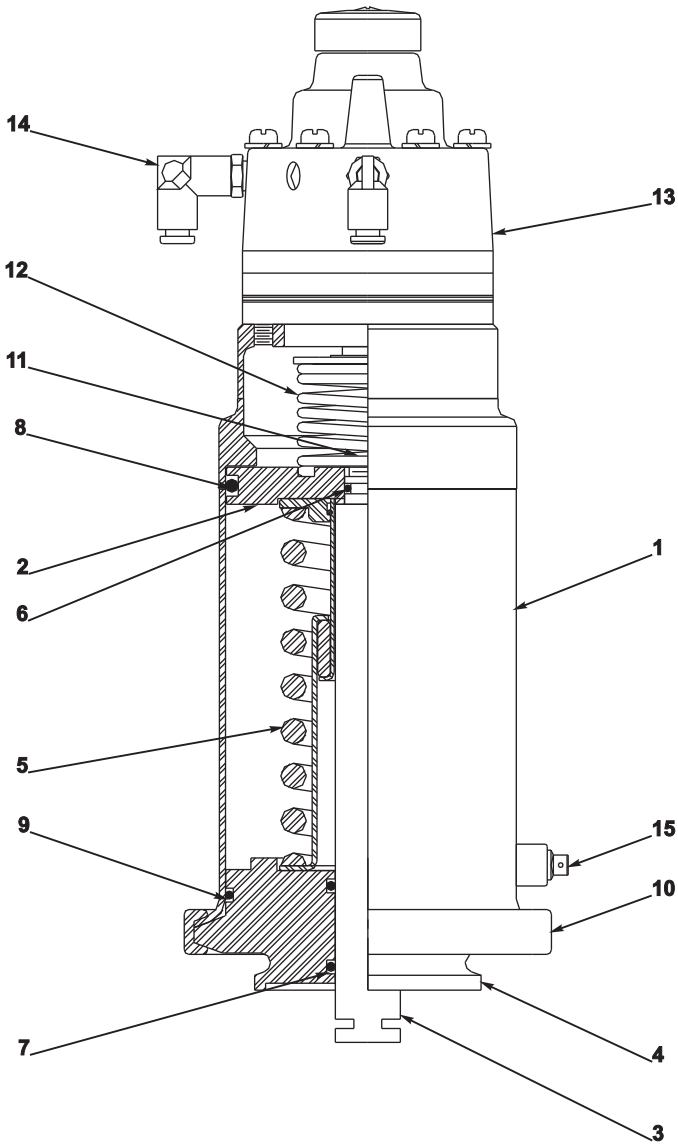
Instrument Air Requirements: Connect the positioner to a source of clean, dry, oil-free supply air. Failure to do so will increase the possibility of a malfunction or deviation from specified performance.

Caution: Synthetic compressor lubricants in the air stream at the instrument may cause the positioner to fail.

Particle Size: Maximum particle size in the air stream should be no larger than 3 micron.
(ISA-S7.3)

Valve Positioner

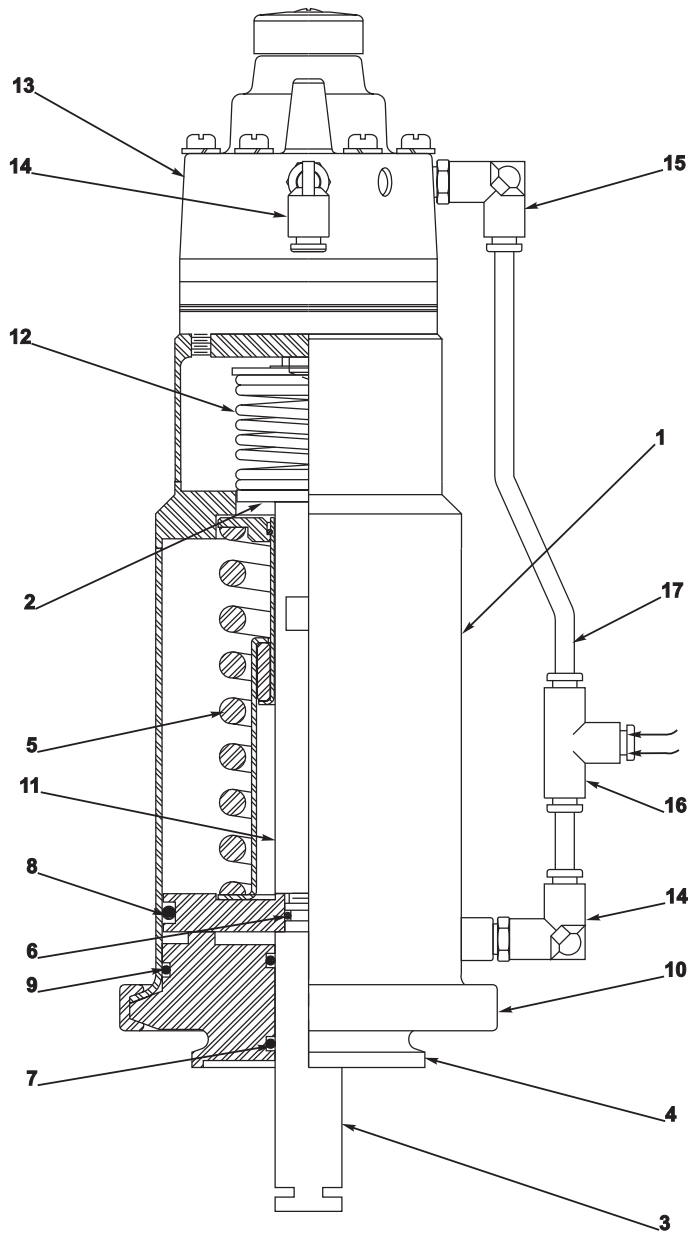
SP10VPD Direct Acting



SP10VPD		
1	SP10VPD-1	Cylinder Assembly
2	SP10VP-2	Piston
3	SP10-2D	Actuator Stem
4	SP10-4	Actuator Foot
5	SP10-5	Spring and Cage Assembly
6	SP10-6	Upper Stem O-Ring
7	SP10-7	Lower Stem O-Ring
8	SP10-8	Piston O-Ring
9	SP10-9	Foot O-Ring
10	SP13HC-4"	Actuator Clamp
11	SP10-12	Stem Nut
12	12395-X-1612	Range Spring
13	73N12F	Valve Positioner
14	SP10MS-14	Poly Tube Connector
15	SP10-15BV	Breather Vent Plug

Valve Positioner

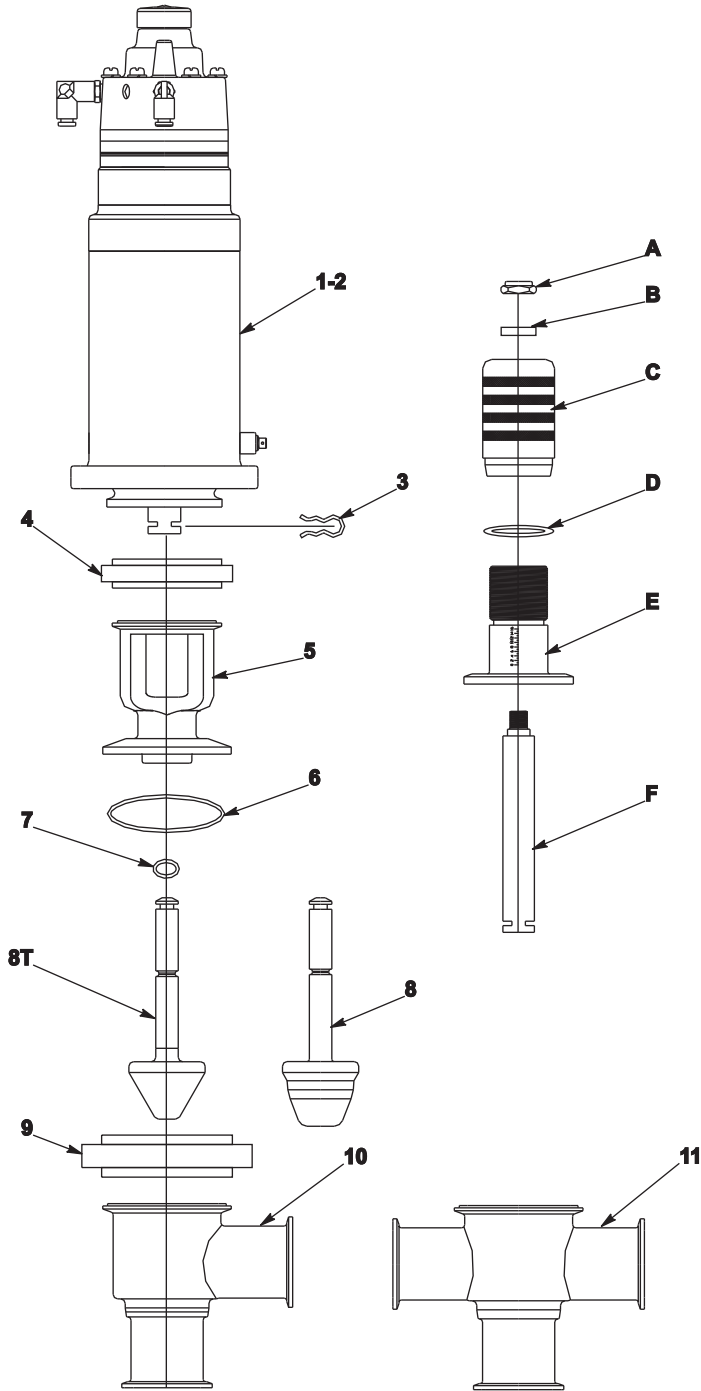
SP20VPR Reverse Acting



SP20VPR		
1	SP20VP-1	Cylinder Assembly
2	SP10-2	Piston
3	SP20VP-2DA	Actuator Stem
4	SP10-4	Actuator Foot
5	SP10-5	Spring and Cage Assembly
6	SP10-6	Upper Stem O-Ring
7	SP10-7	Lower Stem O-Ring
8	SP10-8	Piston O-Ring
9	SP10-9	Foot O-Ring
10	SP13HC-4"	Actuator Clamp
11	SP20VP-2DB	Range Spring Stem
12	12395-X	Range Spring
13	73NFR	Valve Positioner
14	SP10-14	Poly Tube Connector
15	SP10MS-14	Poly Tube Connector
16	SP10MS-14-Tee	Poly Tube Tee
17	-----	1/4" Poly Tube

Modulating Valves

SP160-7M and SP160-7MT

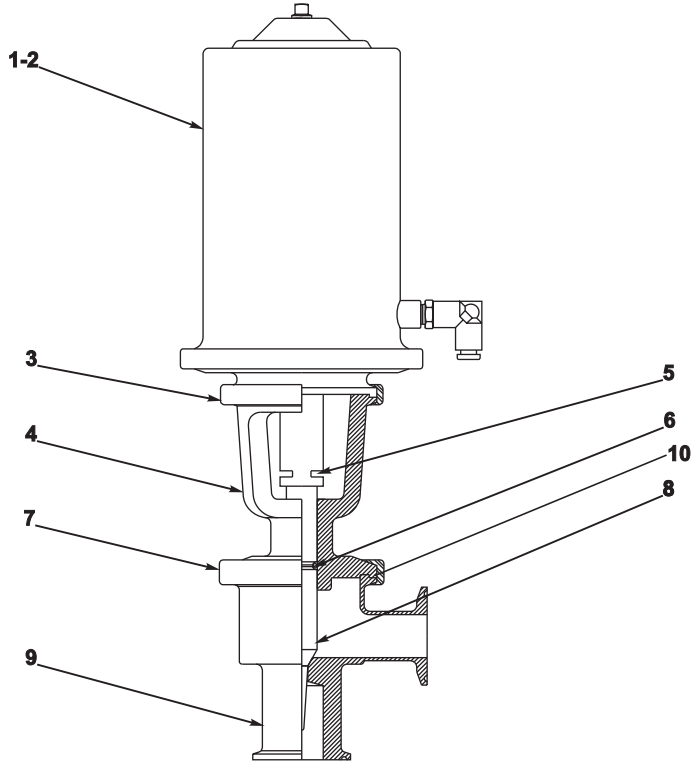


Modulating Valves		
1	SP10VPD	Actuator (Air to Close)
2	SP20VPR	Actuator (Air to Open)
3	SP160-7-1.5-9	Spring Clip
4	SP13Z-2.5"	Bonnet Clamp
5	SP160-7-x-3	Bonnet
6	SP40B-2.5" SP40B-3" SP40B-3.5" SP40B-4"	Gasket for 1.5" Valve Gasket for 2" Valve Gasket for 2.5" Valve Gasket for 3" Valve
7	SP10-6	Stem O-Ring
8	SP160-7M-x-2	Plug and Stem Multi-Taper
8T	SP160-7MT-x-2	Plug and Stem Straight-Taper
9	SP13HC-2.5" SP13HC-3" SP13HC-3.5" SP13HC-4"	Clamp for 1.5" Valve Clamp for 2" Valve Clamp for 2.5" Valve Clamp for 3" Valve
10	SP160-7MT-x -1	Tee Body
11	SP160-9MT-x-1	Cross Body
A	SP10-12	Stem Nut
B	SP160-7MH-SW	Space Washer
C	SP160-7MH-H	Micrometer Handle
D	SP160-7MH-40	Bonnet O-Ring
E	SP160-7MH-H-3	Micrometer Bonnet
F	SP160-7MTH-2D	Micrometer Stem

x= Valve Size

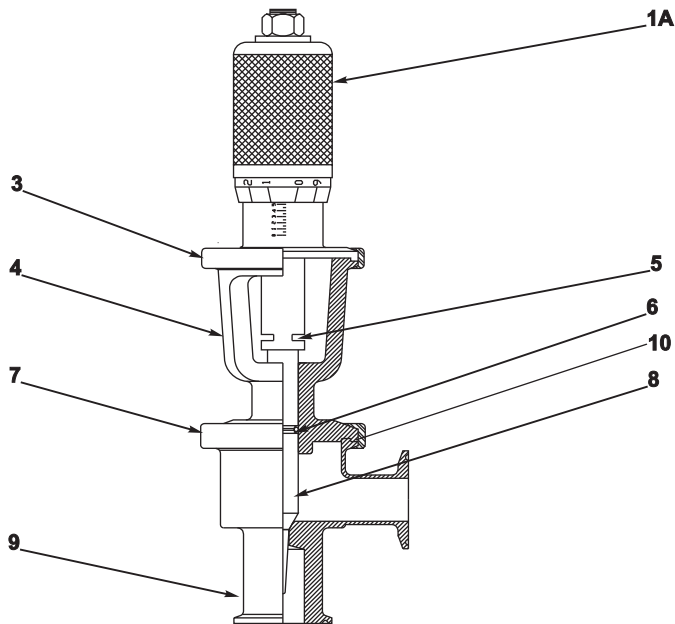
Modulating Valves

Micro-Flow Modulating Valves

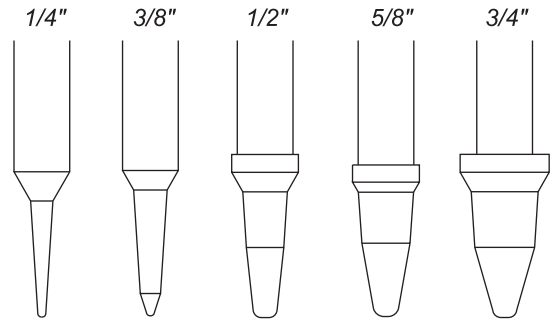


Micro-Flow Valves		
1	SP10VPD	Actuator (Air to Close)
2	SP20VPR	Actuator (Air to Open)
1A	SP160-7MH-H	Micrometer Handle
3	SP13Z-2"	Bonnet Clamp
4	SP160-7-1.5"-3	Bonnet
5	SP160-7-1.5"-9	Spring Clip
6	SP10-6	Stem O-Ring
7	SP13HC-2"	Body Clamp
8	SP160-7M-1"-x-2	Plug and Stem
9	SP160-7M-1"-x-1	Body
10	SP40B-2.5"	Body Gasket

x= Valve Size

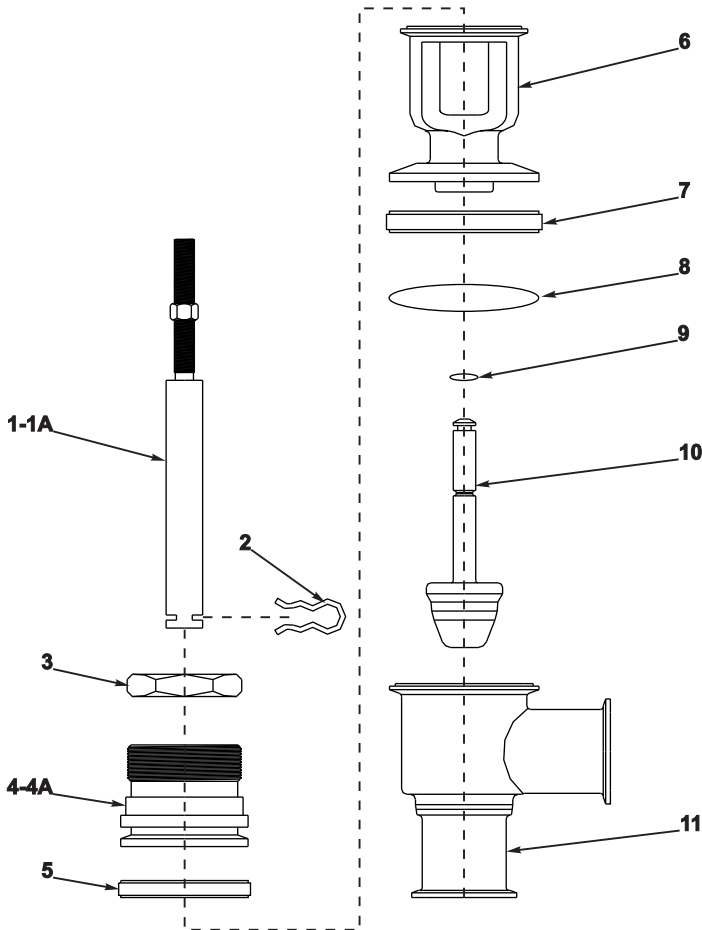


Plug Options



Modulating Valves

SPI Taylor Actuator Adapters



Taylor Adapter Spare Parts		
1	LT-160-7-2D	Large Taylor Stem
1A	ST-160-7-2D	Small Taylor Stem
2	SP160-7-1.5"-9	Spring Clip
3	13H-2 1/16"-FJ	Taylor Nut (small only)
4	SP160-7-1.5"-2 3/4"	Large Taylor Adapter
4A	SP160-7-1.5"-2 1/16"	Small Taylor Adapter
5	SP13Z-2.5"	Bonnet Clamp
6	SP160-7-x-3	Bonnet
7	SP13HC-2.5" SP13HC-3" SP13HC-3.5" SP13HC-4"	Clamp for 1.5" Valve Clamp for 2" Valve Clamp for 2.5" Valve Clamp for 4" Valve
8	SP40B-2.5" SP40B-3" SP40B-3.5" SP40B-4"	Gasket for 1.5" Valve Gasket for 2" Valve Gasket for 2.5" Valve Gasket for 3" Valve
9	SP10-6	Stem O-Ring
10	SP160-7M-x-2	Plug and Stem (multi-taper)
11	SP160-7MT-x-1	Tee Body

x= Valve Size

Section C

Butterfly Valves

Elastomer Options

Actuator Elastomers: Buna

Valve Wetted Parts:

Seal Options Silicone, EPDM, Viton®

Stem Bushings PTFE

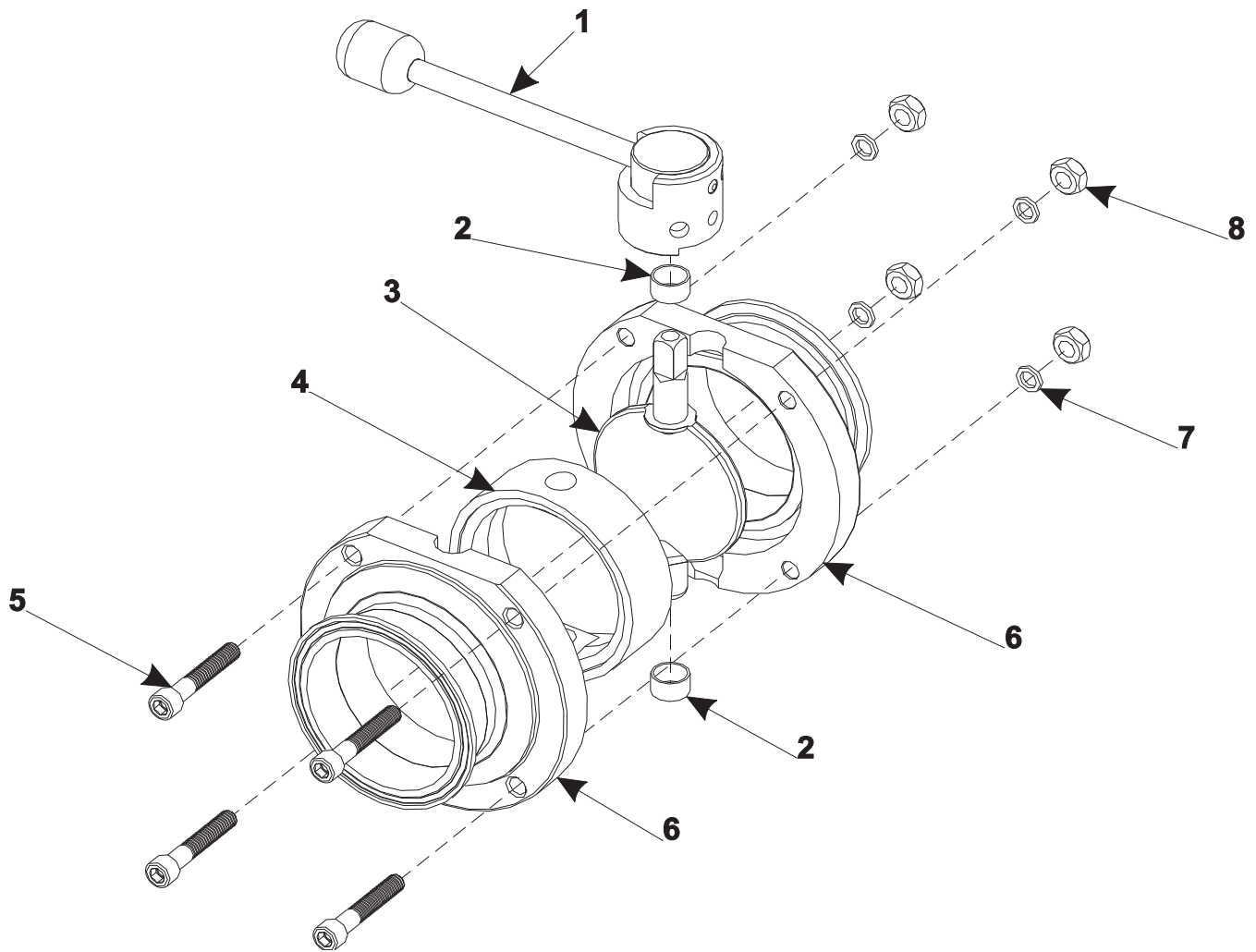
Seat Material Selection

Silicone- FDA grade silicone exhibits a wish list of characteristics including superb chemical resistance, high temperature performance, good thermal and electrical resistance, long-term resiliency, and easy fabrication. It also possesses excellent UV and ozone resistance. This material is low volatile, peroxide free and does not discolor over time. Silicone is odorless, tasteless, chemically inert and non-toxic. It offers all FDA approved ingredients, low compression set and fungus resistance.

EPDM- Ethylene-propylene compounds are prepared from ethylene and propylene (EPM) and usually a third monomer (EPDM). These compounds are used frequently to seal in brake systems, and for sealing hot water and steam. Ethylene propylene compounds have good resistance to mild acids, detergents, alkalis, silicone oils and greases, ketones, and alcohols. They are not recommended for applications with petroleum oils, mineral oil, di-ester lubricants, or fuel exposure.

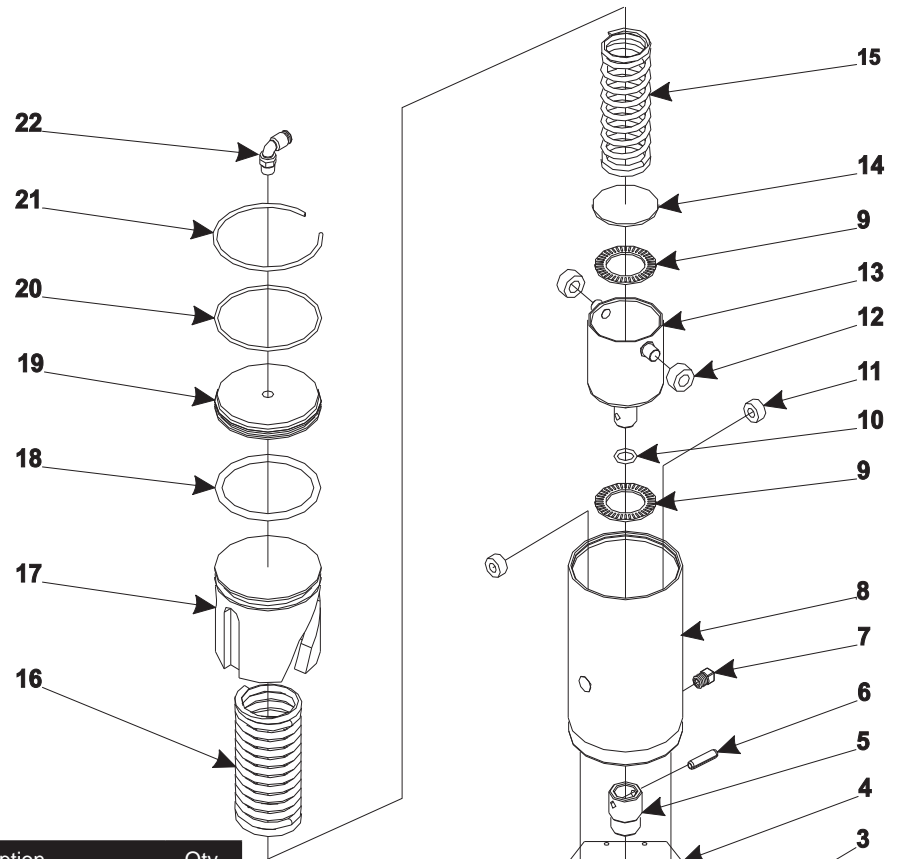
Viton®- Viton® offers excellent chemical resistance, especially to many acids and alkalies. Makes it the best choice for many pharmaceutical, chemical, automotive, or fuel applications. These gaskets are not recommended for sterilization.

Hand Operated Butterfly Valves



Hand Valve Spare Parts			
Item #1	Part #	Qty.	Description
1	10B-x-H	1	Handle Assembly
2	10B-x-2B	2	PTFE Stem Bushing
3	10B-x-2	1	Disc & Stem
4	10B-x-40S	1	Silicone Seat
	10B-x-40E	1	EPDM Seat
	10B-x-40V	1	Viton Seat
5	10B-x-1HX	4	Socket Head Bolt
6	SP10B-7-x-1	2	Clamp Valve Body
7	10B-x-1LW	4	Lock Washer
8	10B-x-1N	4	Hex Nut

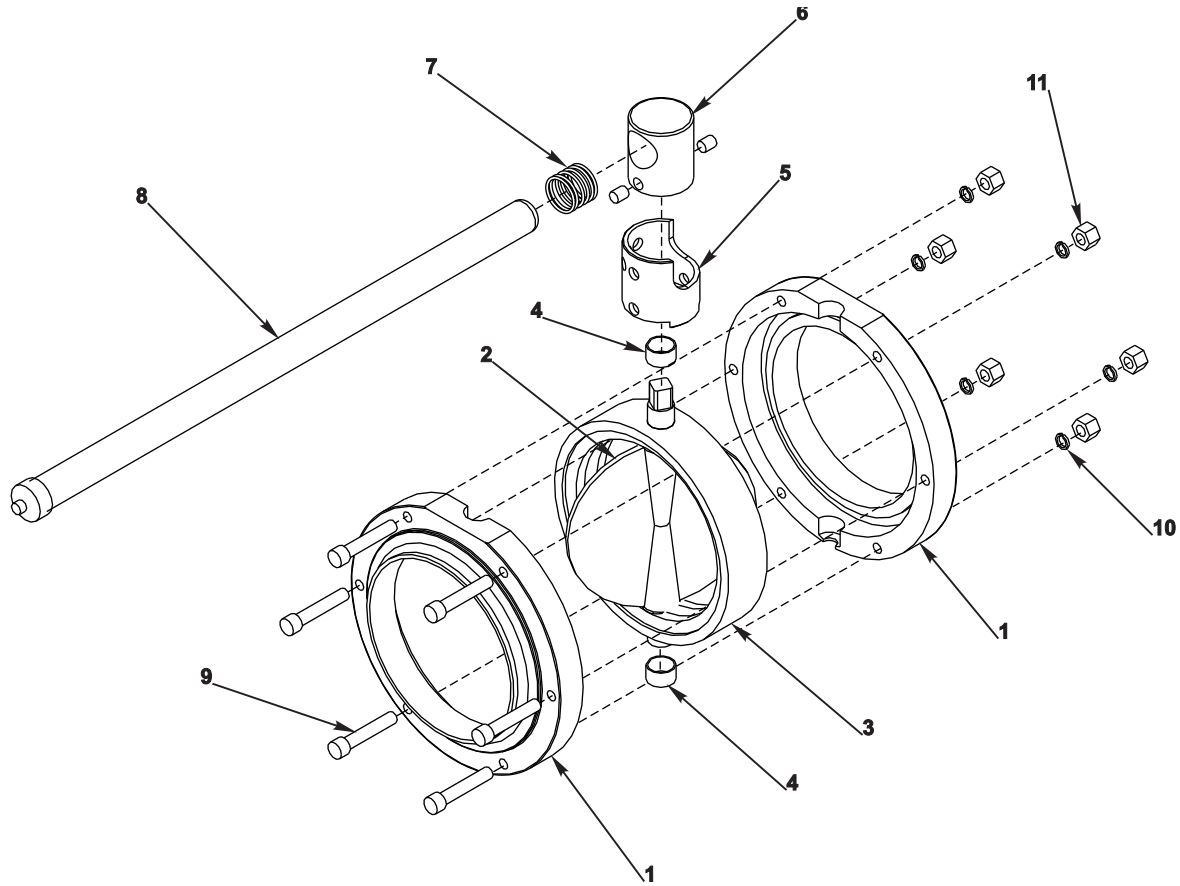
Air Operated Butterfly Valves



Item #	Part Number	Description	Qty.
1	SP20B-1.5"-3B	BRACKET BOLT	2
2	SP20B-1.5"-3LW	LOCK WASHER	2
3	SP20B-1.5"-4CO	POSITION INDICATOR	1
4	SP20B-1.5"-3	MOUNTING BRACKET	1
	SP20B-3"-3	MOUNTING BRACKET	
5	SP20B-1.5"-4	STEM DRIVER	1
	SP20B-3"-4	STEM DRIVER	
6	SP20B-1.5"-4P	ROLL PIN	1
7	SP10-15BV	FILTER PLUG **	1
8	SP20B-1.5"-1	CYLINDER BODY	1
9	SP20B-1.5"-5B	THRUST BEARING **	2
10	SP20B-1.5"-2DR	STEM O'RING **	1
11	SP20B-1.5"-1B	CYLINDER BEARING **	2
12	SP20B-1.5"-2DB	STEM BEARING **	2
13	SP20B-1.5"-2D	STEM ASSEMBLY	1
14	SP20B-1.5"-5BP	THRUST BEARING PLATE **	1
15	SP20B-1.5"-5S	INNER SPRING **	1
16	SP20B-1.5"-5L	OUTER SPRING **	1
17	SP20B-1.5"-2	PISTON	1
18	SP20B-1.5"-2R	PISTON O'RING **	1
19	SP20B-1.5"-1C	CYLINDER CAP	1
20	SP20B-1.5"-1C40	CYLINDER CAP O'RING **	1
21	SP20B-1.5"-1CR	SNAP RING **	1
22	SP10-14 NBP	POLY-TUBE FITTING **	1

** Included in SP20B-1.5"-RBK
Act. Rebuild Kit

6" Butterfly Valves



Item #	Part Number	Description	Qty.
1	SP10B-7-6"-1	Clamp Valve Body	2
2	10B-6"-2	Stem and Disc	1
3	10B-6"-40E	Valve Seat	1
4	10B-6"-2B	Stem Bushing	2
5	10B-6"-HBP	Handle Positioner	1
6	10B-6"-HB	Handle Bonnet	1
7	SP51-80S	Handle Spring	1
8	10B-6"-HR	Handle Stem	1
9	10B-6"-1HX	Socket Head Bolts	6
10	10B-4"-1LW	Lock Washer	6
11	10B-4"-1N	Hex Nuts	6

Contact factory for information on 6" Air Actuator options



Stainless Products, Inc.

1649 72nd Ave

PO Box 169

Somers, WI 53171

Ph: 800-558-9446 262-859-2826

Fax: 262-859-2871

www.stainless-products.com