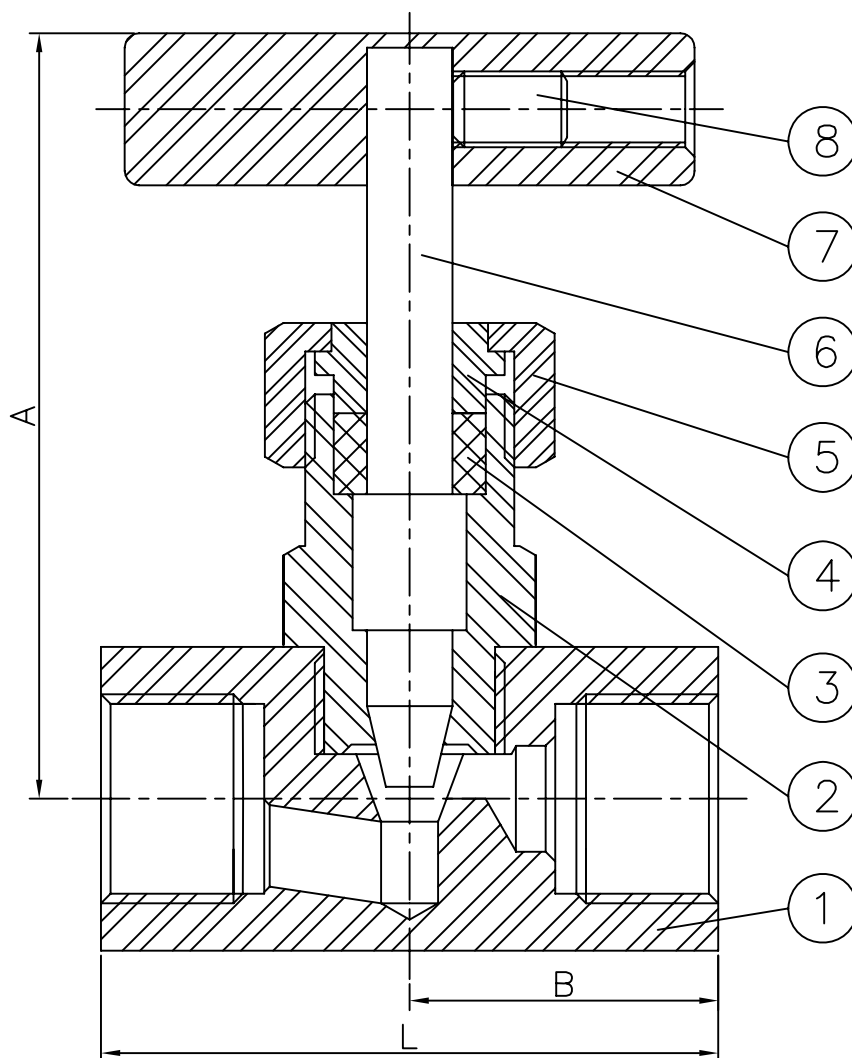


Fig. No. ZT-NF6000 NEEDLE VALVES (6000 PSI)

- * T Handle Operation
- * Screwed-In Bonnet

- * Connecting Threads:
ANSI B2.1
BS21
DIN
- * Working Pressure: 6000 PSI



MATERIALS LIST

UNIT : mm

NO	PART	Q'TY	MATERIAL
1	BODY	1	ASTM A351 GR.CF8M
2	BONNET	1	/ASTM A105
3	PACKING	1SET	PTFE
4	GLAND	1	SS304
5	GLAND NUT	1	SS304
6	STEM	1	SS316
7	HANDLE	1	SS410
8	SET SCREW	1	SS304

SIZE	1/8"	1/4"	3/8"	1/2"	3/4"	1"
A	75	75	75	87	90	103
B	29	29	29	32.5	35	40
L	58	58	58	65	70	80

ZHE THAI MACHINERY CO., LTD.