

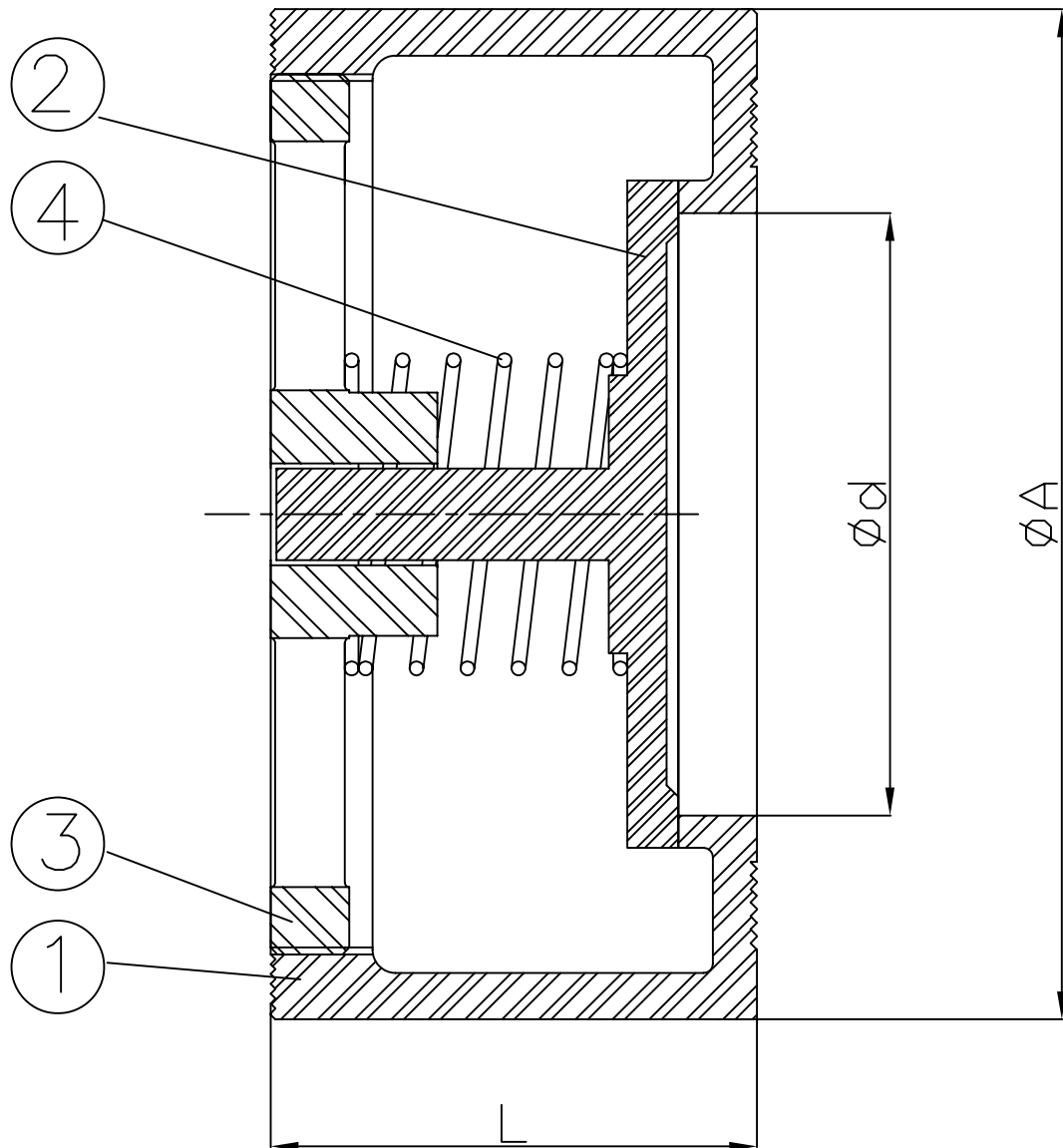
# Fig.No. ZT-C801 WAFER CHECK VALVES

INSTALLATION: DIN PN-10-16-25, AISI 150

L: DIN 3202 K4

PRESSURE RATING: PN25

For safety reason, Suggest to  
liquid material installation only.



DN	inch	$\phi d$	$\phi A$	L	W (kg)	Cv FACTOR
125	5"	105	190	90	10	3150
150	6"	130	218	105	13	4600
200	8"	170	273	140	24	7700

UNIT: mm

## MATERIAL LIST

NO	DESCRIPTION	MATERIAL
1	BODY	EN10213-4 1.4408
2	DISC	EN10213-4 1.4408
3	CAP	EN10213-4 1.4408
4	SPRING	AISI 316

ZHE THAI MACHINERY CO., LTD.