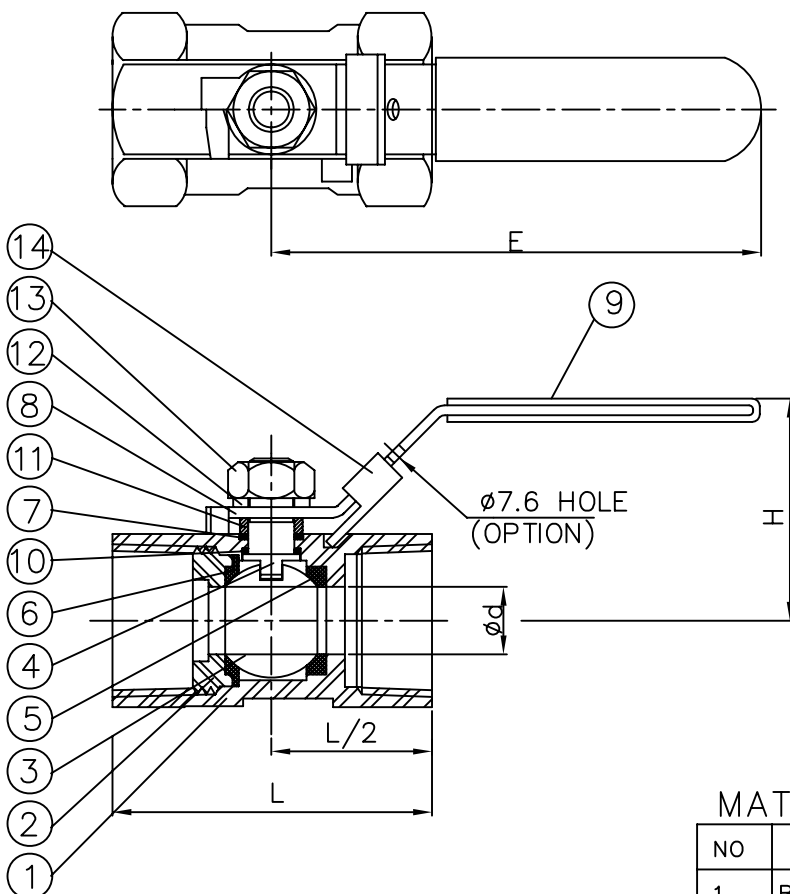


Fig. No. ZT-101 One Piece Economy 1000PSI STAINLESS STEEL BALL VALVES – REDUCE PORT

- * For chemical and industrial applications
- * Blow-out-proof stem design
- * 100% tested by air under water at 100 psi, open and closed positions

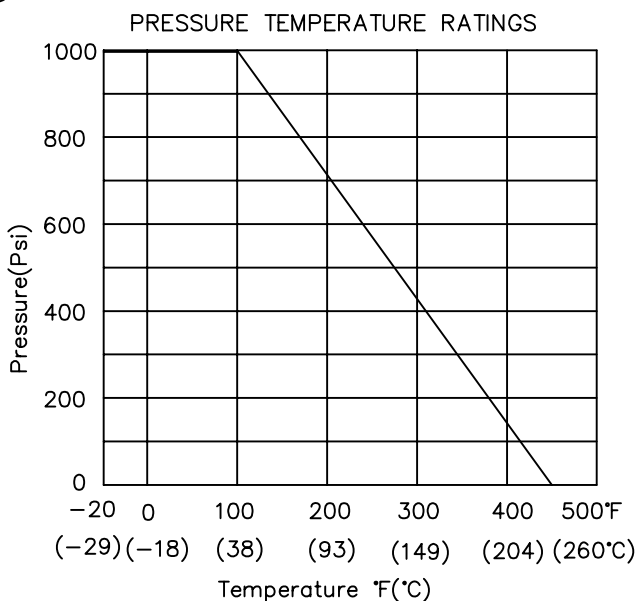
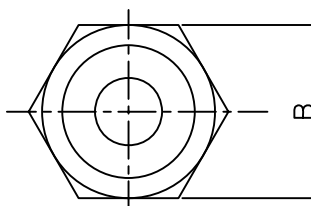
SPECIFICATIONS

- * Working Pressure: 1000 psi W.O.G
- * Temperature Range: -20 to 450°F
- * End types: Threaded



DIMENSIONS (mm)

SIZE	d	L	B	H	E
1/4"	5	39	17	33	66
3/8"	7	44	21	38	77
1/2"	9.2	56.5	25	42	95
3/4"	12.5	58	32	45	95
1"	15	71	38	56	109
1-1/4"	20	78	50	60	109
1-1/2"	25	83	53	65	139
2"	32	100	66.5	70	139



MATERIALS LIST

NO	PART NAME	SPECIFICATION
1	BODY	ASTM A351 GR.CF8M
2	INSCREWED SEAT RETAINER	SS316
3	BALL	ASTM A351 GR.CF8M
4	STEM	SS316
5	BALL SEAT	PTFE
6	CAP SEAT	PTFE
7	PACKING	PTFE
8	HANDLE	SS304
9	HANDLE SLEEVE	VINYL GRIP
10	THRUST WASHER	PTFE
11	GLAND	SS304
12	WASHER	SS304
13	HANDLE NUT	SS304
*14	LOCKING PLATE	SS304

(*) OPTION

ZHE THAI MACHINERY CO., LTD.