

Reducing Elbow 90°

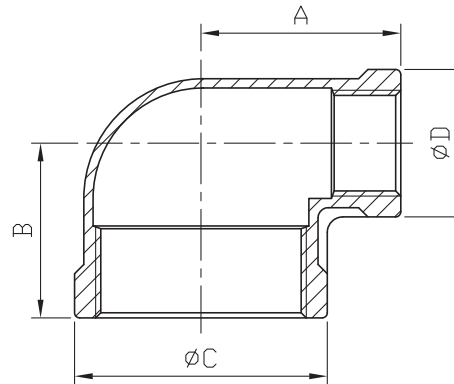
F30

Class 150

Standard Pattern

SIZE		A		B		C		D	
		mm	in	mm	in	mm	in	mm	in
1/4"	1/8"	19.3	0.76	18.8	0.74	17	0.67	14	0.55
3/8"	1/8"	21.6	0.85	20.4	0.8	20.1	0.79	14	0.55
	1/4"	22.9	0.9	22.4	0.88	20.1	0.79	17	0.67
1/2"	1/4"	24.9	0.98	24.6	0.97	25.9	1.02	17	0.67
	3/8"	26.2	1.03	26.4	1.04	25.9	1.02	20.1	0.79
3/4"	1/4"	27.4	1.08	26.7	1.05	33.2	1.31	17	0.67
	3/8"	28.7	1.13	28.4	1.12	33.2	1.31	20.1	0.79
	1/2"	31	1.22	30.5	1.2	33.2	1.31	27.7	1.09
1"	3/8"	32.3	1.27	30	1.18	39.7	1.56	20.1	0.79
	1/2"	34.5	1.36	32	1.26	39.7	1.56	27.7	1.09
	3/4"	36.8	1.45	34.8	1.37	39.7	1.56	33.2	1.31
1-1/4"	1/2"	38.9	1.53	34	1.34	48.5	1.91	27.7	1.09
	3/4"	41.1	1.62	36.8	1.45	48.5	1.91	33.2	1.31
	1"	42.4	1.67	40.1	1.58	48.5	1.91	41.1	1.62
1-1/2"	1/2"	43	1.69	35	1.38	55.6	2.19	28.9	1.14
	3/4"	45.7	1.8	38.6	1.52	55.6	2.19	33.2	1.31
	1"	45.7	1.8	41.9	1.65	55.6	2.19	41.1	1.62
2"	1-1/4"	47.8	1.88	46.2	1.82	55.6	2.19	49.2	1.94
	1/2"	49	1.93	36	1.42	68.5	2.7	28.9	1.14
	3/4"	50	1.97	40.6	1.6	68.5	2.7	33.2	1.31
	1"	51.3	2.02	43.9	1.73	68.5	2.7	41.1	1.62
2-1/2"	1-1/4"	53.3	2.1	48.3	1.9	68.5	2.7	49.6	1.95
	1-1/2"	54.9	2.16	51.3	2.02	68.5	2.7	56	2.2
	2"	63.8	2.51	54.9	2.16	82	3.23	56	2.2
3"	2"	73.4	2.89	64	2.52	96.6	3.8	68.5	2.7
	2-1/2"	75.9	2.99	71.9	2.83	96.6	3.8	82	3.23
4"	3"	91.4	3.6	83.8	3.3	122	4.8	96.6	3.8

Tolerance: $\pm 0.5\text{mm}$ (1/2"~4")



Taiwan
BUREAU VERITAS
Certification



HONG KONG
RECOGNITION
FOR CERTIFICATION



TRD
100



Type
Approval
P-13548

CE
0035

CRN
REGISTERED



6E-1017



ATEX
I2GD

TA-Luft
VDI 2440

ISO 15848
LOW EMISSION

REACH
(EC 1907/2006)

RoHS
2002/95/EC

8F., No.201, Sec. 2, Tiding Blvd., Neihu District, Taipei City 114, Taiwan R.O.C.
TEL : +886-2-2658-5800 FAX : +886-2-2658-2266 / 2799-7766

[Http://www.haitima.com.tw](http://www.haitima.com.tw)
E-mail : haitima@seed.net.tw