

Item description/product images



Description

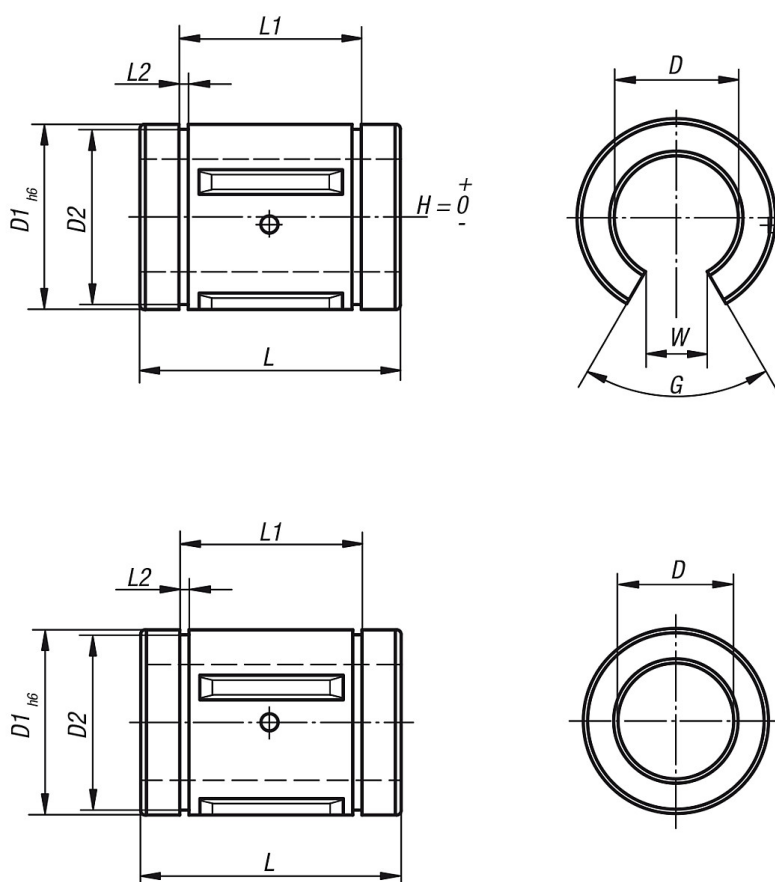
Material:

Housing and ball bearings stainless steel 1.4034.

Version:

All stainless steel linear ball bearing bushes.

Drawings



Overview of items

Order No.	Version	D	D1	D2	G	H	L	L1	L2	W	Dynamic load rating N	Static load rating N
50-162-3	open	12	22	21	78°	0	32-0,2	22,9-0,2	1,3	7,5	420	714
50-162-4	open	16	26	24,9	78°	0	36-0,2	24,9-0,2	1,3	10	686	1.092
50-162-5	open	20	32	30,3	60°	0	45-0,2	31,5-0,2	1,6	10	924	1.610
50-162-6	open	25	40	37,5	60°	-1,5	58-0,3	44,1-0,3	1,85	12,5	1.470	2.590
50-162-7	open	30	47	44,5	50°	2	68-0,3	52,1-0,3	1,85	12,5	2.100	3.920

Order No.	Version	D	D1	D2	L	L1	L2	Dynamic load rating N	Static load rating N
50-162-23	closed	12	22	21	32-0,2	22,9-0,2	1,3	420	714

Overview of items

Order No.	Version	D	D1	D2	L	L1	L2	Dynamic load rating N	Static load rating N
50-162-24	closed	16	26	24,9	36-0,2	24,9-0,2	1,3	686	1.092
50-162-25	closed	20	32	30,3	45-0,2	31,5-0,2	1,6	924	1.610
50-162-26	closed	25	40	37,5	58-0,3	44,1-0,3	1,85	1.470	2.590
50-162-27	closed	30	47	44,5	68-0,3	52,1-0,3	1,85	2.100	3.920