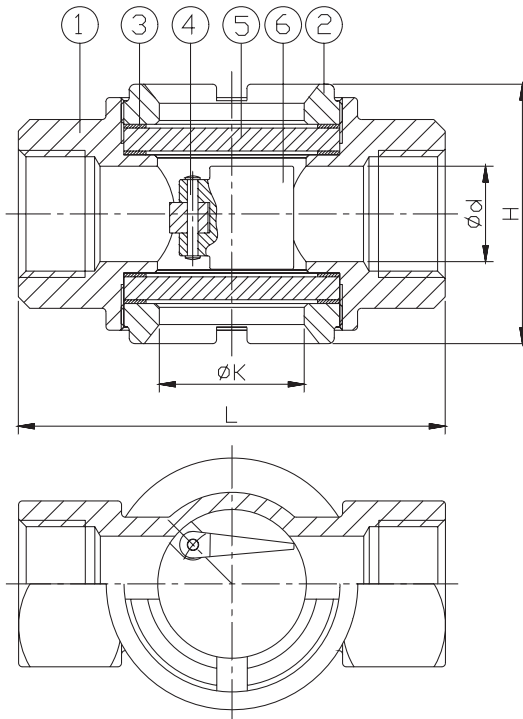




FEATURES

- 1/2"~2" (DN15~DN50)
- W.P. : 200 WOG, PN16
- W.T. : -20°C~200°C (-4°F~392°F)
- Investment casting
- Thread type : ASME B1.20.1 (NPT)
DIN2999 & BS21
ISO7/1 & EN10226



ITEM	PARTS	MATERIAL	
1	BODY	ASTM A351-CF8M	ASTM A351-CF8
2	CAP		
3	GASKET	PTFE	
4	STEM	AISI 316	AISI 304
5	GLASS	GLASS	
6	INDICATOR	ASTM A351-CF8M	ASTM A351-CF8

DN	d	L	K	H
15	15	112	38	68
20	20	112	38	68
25	25	112	38	68
32	32	145	45	110.5
40	40	145	45	110.5
50	50	168	55	131.2

unit:mm

NPS	d	L	K	H
1/2"	0.59	4.4	1.49	2.67
3/4"	0.79	4.4	1.49	2.67
1"	0.98	4.4	1.49	2.67
1-1/4"	1.26	5.69	1.77	4.34
1-1/2"	1.57	5.69	1.77	4.34
2"	1.96	6.6	2.16	5.15

unit:in