

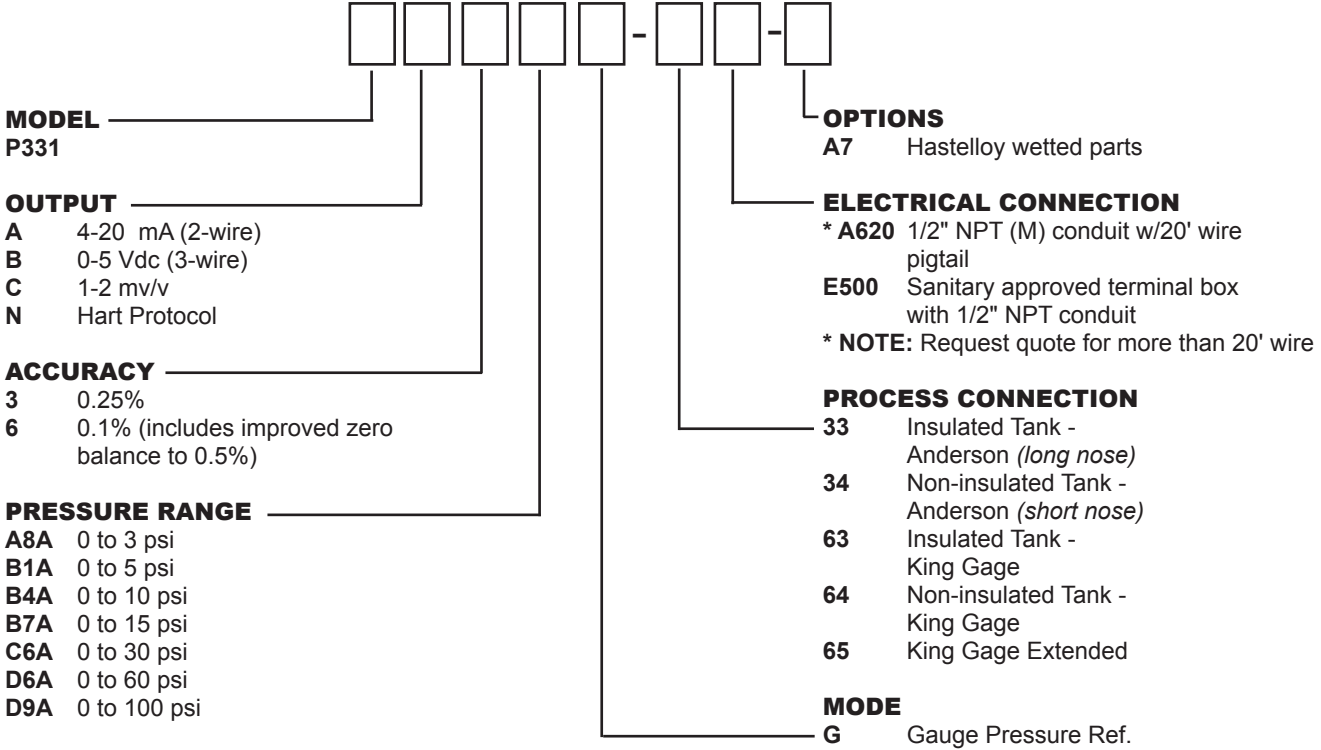
# TEL-TRU PRESSURE TRANSMITTERS

## Sanitary Series Model P331 - Tank Level

### HOW TO ORDER EXAMPLE:

Tank Level Transmitter, 4-20 mA, 0.25% Accuracy, 0-10 psi, Gauge Pressure, Insulated Anderson tank, 20 ft. 1/2" NPT conduit.

Example: P331 A 3 B4A G - 33 A620 -



### PRICES INCLUDE:

- Certificate of Calibration (directly traceable to NIST)

### IMPORTANT NOTE:

- Available Upon Request--Additional Options (consult factory):
- Pressure Ranges/Unit of Measure
  - Cherry-Burrell process connection and receivers

### ACCESSORIES

(to be ordered separately)

- P331-01 Retaining nut - Anderson
- P331-02 Retaining nut - King Gage
- P331-03 Receiver, insulated tank - Anderson
- P331-04 Receiver, non-insulated tank - Anderson
- P331-05 Receiver, insulated tank - King Gage
- P331-06 Receiver, non-insulated tank - King Gage

