

Settore ACCESSORI



Accessories sector



Secteur accessoires



Feldzusätze



Accesorios

E1

Valvola a sfera inox AISI 304 o AISI 316 con sfera stampata attacco femmina o maschio gas e raccordo a morsetto completo.

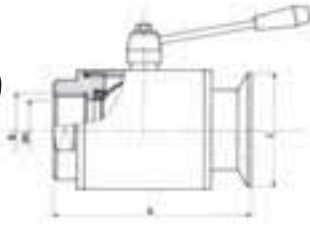
DN 40X1"¼	DN 50X1"½	DN 60X2"
DN 70X2"½	DN 80X3"	DN 100X4"

Ball valve in AISI 304 or AISI 316 stainless steel with hollow ball-BSP female or male fitting with complete coupling.

Durchgangskugelhahn W.Nr.1.4301-1.4401 mit Kugel aus gestanztem Lech. Anschlüsse G- Clamp.

Vannes a boule en inox AISI 304 ou AISI 316 avec boule estampée raccord gaz femelle ou mâle et raccord complet avec collier.

Válvula de bola de acero inoxidable AISI 304 o AISI 316 con bola estampada extremos hembra o macho morseto completo.



DN	32	40	50	65	90	100
A	99	104	120	151	160	190
B	1"¼	1"½	2"	2"½	3"	4"
C	40	50	60	70	80	100

E2

Valvola a sfera inox AISI 304 o AISI 316 con sfera stampata attacco gas FF - MM -FM

DN 1"	DN 1"¼	DN 1"½
DN 2"	DN 2"½	
DN 3"	DN 4"	

Ball valve in AISI 304 o AISI 316 stainless steel with hollow ball BSP FF-MM-FM.

Durchgangskugelhahn W.Nr.1.4301-1.4401 mit Kugel aus gestanztem blech. Anschlüsse G-G.

Vannes de boule en inox AISI 304 ou AISI 316 avec boule estampée e raccord gaz FF-MM-FM.

Válvula de bola de acero inoxidable AISI 304 o AISI 316 con bola estampada extremos gas HH-MM-HM.



DN	25	32	40	50	65	80	100
A	73	85	98	116	143	160	190
B	1"	1"¼	1"½	2"	2"½	3"	4"

E3

Valvola a sfera inox AISI 304 o AISI 316 con sfera stampata attacco flangiato e raccordo a morsetto completo

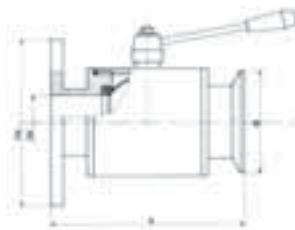
DN 40	DN 50	DN 60
DN 70	DN 80	DN 100

Ball valve in AISI 304 or AISI 316 stainless steel with hollow ball flanged male fitting and complete coupling.

Durchgangskugelhahn W.Nr.1.4301-1.4401 mit Kugel aus gestanztem blech. Anschlüsse FL - clamps.

Vannes de boule en inox AISI 304 ou AISI 316 avec boule estampée e raccorde complète avec collier.

Válvula de bola de acero inoxidable AISI 304 o AISI 316 con bola estampada extremos brida y morseto completo.



DN	32	40	50	65	80	100
A	106	121	131	162	160	202
B	40	50	60	70	80	100

E4

Valvola a sfera inox AISI 304 o AISI 316 con sfera ricavata da pieno - attacco Femmina o Maschio gas e raccordo a morsetto completo.

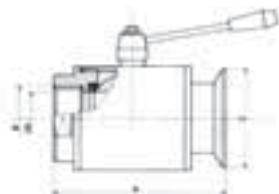
DN 40X1"¼	DN 50X1"½	DN 60X2"
DN 70X2"½	DN 80X3"	DN 100X4"

Ball valve in AISI 304 or AISI 316 stainless steel with ball machined from solid section BSP female or male fitting with complete coupling.

Durchgangskugelhahn W.Nr.1.4301-1.4401, Anschlüsse Gewinde - clamp

Vannes de boule en inox AISI 304 ou AISI 316 avec boule pleine - raccord Gaz femelle ou Mâle et raccord complet avec collier.

Válvula de bola de acero inoxidable AISI 304 o AISI 316 con bola maciza - extremos Hembra o macho gas y morseto completo.



DN	32	40	50	65	90	100
A	99	104	120	151	160	190
B	1"¼	1"½	2"	2"½	3"	4"
C	40	50	60	70	80	100

E5

Valvola a sfera inox AISI 304 o AISI 316 con sfera ricavata da pieno - attacco gas FF- MM- FM.

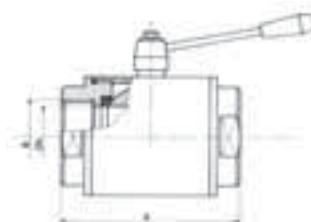
DN 1	DN 1"¼	DN 1"½
DN 2	DN 2"½	
DN 3	DN 4"	

Ball valve in AISI 304 or AISI 316 stainless steel with ball machined from solid section - BSP fitting FF - MM - FM.

Durchgangskugelhahn W.Nr. 1.4301 - 1.4401, Anschlüsse gewinde gewinde.

Vannes à boule en inox AISI 304 ou AISI 316 avec boule pleine - raccord Gaz FF - MM - FM.

Válvula de bola en acero inoxidable AISI 304 o AISI 316 con bola maciza - extremos gas HH - MM - HM.



DN	15	20	25	32	40	50	65	80	100
A	63	69	73	95	98	116	143	160	190
B	½	¾	1"	1"¼	1"½	2"	2"½	3"	4"

E6

Valvola a sfera inox AISI 304 o AISI 316 con sfera ricavata da pieno - attacco flangiato e raccordo a morsetto completo.

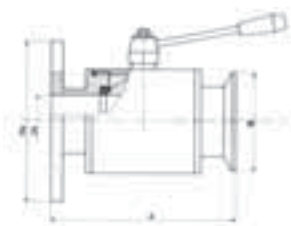
DN 40	DN 50	DN 60
DN 70	DN 80	DN 100

Ball valve in AISI 304 or AISI 316 stainless steel with ball machined from solid section - flanged fitting and complete coupling.

Durchgangskugelhahn W.Nr. 1.4301 - 1.4401, Anschlüsse flansch - Clamp.

Vannes à boule en inox AISI 304 ou AISI 316 avec boule pleine - raccord complet avec collier.

Válvula de bola en acero inoxidable AISI 304 o AISI 316 con bola maciza - extremos brida y morseto completo.



DN	32	40	50	6	80	100
A	106	121	131	162	160	202
B	40	50	60	70	80	100

E7

Valvola a sfera inox AISI 304 o AISI 316 - con sfera stampata da pieno - attacco flangia quadra e raccordo con filetto macon.

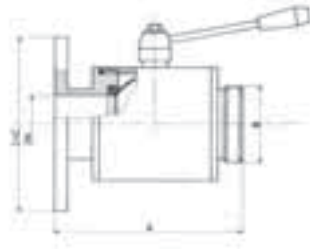
DN 40	DN 50	DN 60
DN 70	DN 80	DN 100

Ball valve in AISI 304 or AISI 316 stainless steel with hollow ball - fitting with square section flange and coupling with macon thread.

Durchgangskugelhahn W.Nr. 1.4301 - 1.4401, mit Kugel aus gestanztem blech.
Anschlüsse flansch-Gewinde MACON.

Vannes à boule en inox AISI 304 ou AISI 316 avec noule estampée - bride carrée et raccord avec filetage macon.

Válvula de bola en acero inoxidable AISI 304 o AISI 316 con bola estampada, extremos con brida cuadrada y unión roscada macon.



DN	40	50	65	80	100
A	128	136	162	164	202
B	40	50	70	80	100
CXC	100	100	120	140	140

E8

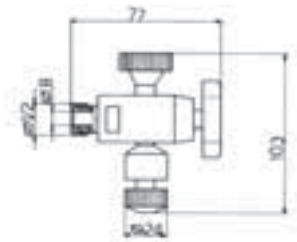
Porta livello in acciaio inox AISI 3047 con attacco filettato Ø ½" GAS.

Measuring rod in AISI 304 stainless steel with ½" dia.B.S.P. threaded fitting.

Inhaltszeiger NW 10 - W.nr.1.4301.

Robinet de niveau en inox AISI 304 fileté diam.½" GAS.

Grifo de nivel en acero inoxidable AISI 304 con unión roscada diám.½" GAS.



E9

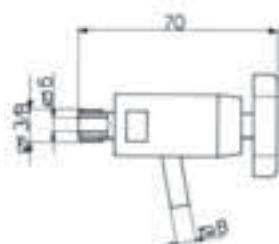
Assaggia vino in acciaio inox AISI 304 con attacco filettato Ø ¾" GAS.

Wine taster tap in AISI 304 stainless steel with ¾" dia. B.S.P threaded fitting.

Probierhahn NW 10 W.nr.1.4301.

Robinet de dégustation en AISI 304 fileté Ø ¾" GAS.

Grifo sacamuestra en acero inoxidable AISI 304 con unión roscada y Ø ¾" GAS.



E10

Mezzo raccordo porta gomma in acciaio inox AISI 304 Ø 40-50-60-70-80-100.



Half rubber hose fitting in AISI 304 stainless steel Ø 40-50-60-70-80-100

Schlauchclanstutzen W.nr.1.4301 Ø NW 40-50-60-70-80-100.

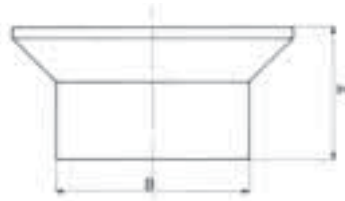
Demi-raccord portagomme en inox AISI 304 Ø 40-50-60-70-80-100

Manguito manguera morseto en acero inoxidable AISI 304 Ø 40-50-60-70-80-100

DN	40	50	60	70	80	100
A	60	70	80	85	90	105
B	40	50	60	70	80	100

E11

Mezzo raccordo a saldare in acciaio inox AISI 304 Ø 40-50-60-70-80-100.



Half fitting to be welded in AISI 304 stainless steel Ø 40-50-60-70-80-100.

Clamp-Stutzen zum anschweissen W.nr.1.4301 Ø NW 40-50-60-70-80-100.

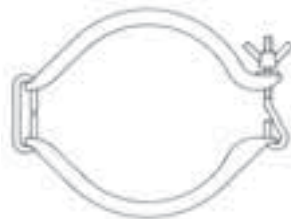
Demi-raccord a souder en inox AISI 304 Ø 40-50-60-70-80-100.

Casquillo morseto en acero inoxidable AISI 304 Ø 40-50-60-70-80-100.

DN	40	50	60	70	80	100
A	26	28	31	33	33	40
B	42.4	48.3	60.3	76.1	80	101.6

E12

Morsetto per raccordo in acciaio inox AISI 304 Ø 40-50-60-70-80-100.



Clamp in AISI 304 stainless steel Ø 40-50-60-70-80-100.

Clamp Verschlussklemme W. Nr. 1.4301 Ø NW 40-50-60-70-80-100

Collier de serrage en inox AISI 304 Ø 40-50-60-70-80-100.

Abrazadera morseto en acero inoxidable AISI 304 Ø 40-50-60-70-80-100.

DN	40	50	60	70	80	100
----	----	----	----	----	----	-----

E13

Tappo per raccordo a morsetto in acciaio inox AISI 304 Ø 40-50-60-70-80-100.



Plug for clamp fitting in AISI 304 stainless steel Ø 40-50-60-70-80-100.

Clamp Deckel - W.nr.1.4301 Ø NW 40-50-60-70-80-100.

Bouchon pour raccord a collier en inox AISI 304 Ø 40-50-60-70-80-100.

Tapón morseto en acero inoxidable AISI 304 Ø 40-50-60-70-80-100.

E14

Riduzione a morsetto in acciaio inox AISI 304 - Ø 50/10-60/50-70/50-70/60-80/60-80/70-100/70-100/80.



Adapter fitting for clamp in AISI 304 stainless steel Ø 50/10-60/50-70/50-70/60-80/60-80/70-100/70-100/80.

Clamp- Reduzierstcke W.Nr.1.4301 WN 50/10-60/50-70/50-70/60-80/60-80/70-100/70-100/80.

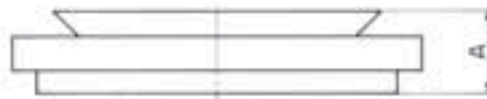
Reduction à collier en inox AISI 304 Ø 50/10-60/50-70/50-70/60-80/60-80/70-100/70-100/80.

Reducción morseto en acero inoxidable AISI 304 Ø 50/10-60/50-70/50-70/60-80/60-80/70-100/70-100/80.

A	40	50	50	60	60	70	70	80
B	50	60	70	70	80	80	100	100

E15

Guarnizione per raccordo a morsetto DN 40-50-60-70-80-100.



Seal for clamp DN 40-50-60-70-80-100.

Dichtung aus gummi DN 40-50-60-70-80-100.

Joint pour raccord à collier DN 40-50-60-70-80-100.

Junta morseto DN 40-50-60-70-80-100.

DN	40	50	60	70	80	100
A	13	13	13	14	14	14

E16

Curva a 90° con raccordo a morsetto in acciaio AISI 304 DN 40-50-60-70-80-100.



90° elbow with half fitting in AISI 304 stainless steel Ø 40-50-60-70-80-100.

Bogen mit Clamp Anschlüsse - W.Nr.1.4301 Ø 40-50-60-70-80-100.

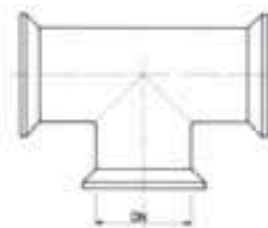
Curbe 90° avec raccord à collier en inox AISI 304 Ø 40-50-60-70-80-100.

Curva de 90° extremos morseto en acero inoxidable AISI 304 Ø 40-50-60-70-80-100.

DN	40	50	60	70	80	100
----	----	----	----	----	----	-----

E17

Tee con raccordo a morsetto in acciaio inox AISI 304 DN 40-50-60-70-80-100.



Tee with half fitting in AISI 304 stainless steel Ø 40-50-60-70-80-100.

T-Stück mit Clamp - Anschlüsse W.Nr.1.4301 Ø 40-50-60-70-80-100.

Té avec raccord à collier en inox AISI 304 Ø 40-50-60-70-80-100.

« T » extremos morseto en acero inoxidable AISI 304 Ø 40-50-60-70-80-100.

DN	40	50	60	70	80	100
----	----	----	----	----	----	-----

E18

Curva a 90° a saldare in acciaio AISI 304 DN-MM da 25 a 114.3 DN-GAS da 1/4" a 4".



90° elbow to be welded in AISI 304 stainless steel nom. dia. MM from 25 to 114.3 ND-BSP from 1/4" to 4".

Anschweissbogen 90° - W.Nr.1.4301 DN. MM VON 25 bis 114.3 DN. GAS VON 1/4" Bis 4".

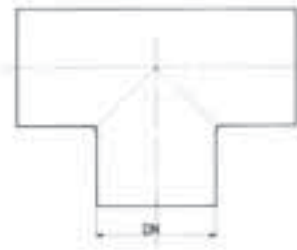
Curbe 90° a souder en inox AISI 304 DN - MM - de 25 à 114.3 DN - GAS de 1/4" à 4".

Curva de 90° para soldar en acero inoxidable AISI 304 DN - MM de 25 à 114.3 DN - GAS de 1/4" à 4".

DN GAS	1/4"	3/8"	1/2"	3/4"	1"	1" 1/4	1" 1/2	2"	2" 1/2	3"	3" 1/2	4"
Ø e		17,2	21,3	26,9	33,7	42,4	48,3	60,3	76,1	88,9	101,6	114,3
SP	2	2	2	2	2	2	2	2	2	2	2	2
R		28,5	31,8	28,5	38	47,8	57,1	76,1	96	114,5	133,5	152,5

E19

Tee a saldare in acciaio inox AISI 304 - DN GAS da ½" a 4".



Tee to be welded in AISI 304 stainless steel - DN BSP from ½" to 4".

T-Stück zum anschweissen W.Nr.1.4301 DN GAS VON ½" Bis 4".

Té à souder en inox AISI 304 DN GAS de ½" à 4".

« T » para soldar en acero inoxidable AISI 304 DN GAS de ½" à 4".

DN GAS	½"	¾"	1"	1" ¼	1" ½	2"	2" ½	3"	4"
Ø e	21,3	26,9	33,7	42,4	48,3	60,3	76,1	88,9	114,3
SP	2	2	2	2	2	2	2	2	2

E20

Raccordo DIN completo a saldare - DN 25-32-40-50-60-65-80-100.



3 piece DIN coupling to be welded DN 25-32-40-50-60-65-80-100.

Rohrverschraubung DIN 11851 - W.Nr.1.4301 DN 25-32-40-50-60-65-80-100.

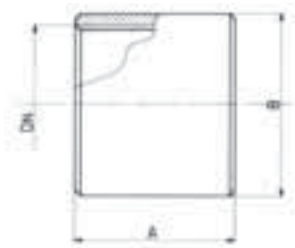
Raccord DIN complet a souder en inox AISI 304 DN 25-32-40-50-60-65-80-100.

Casquillo DIN para soldar en acero inoxidable AISI 304 completo DN 25-32-40-50-60-65-80-100.

DN	25	32	40	50	65	80	100
A	44	50	53	57	65	74	89

E21

Manicotto in acciaio inox AISI 304 - DN GAS da ¼" a 4".



Sleeve in AISI 304 stainless steel - ND BSP from ¼" to 4".

Muffe Din 2986 - W.Nr. 1.4301 DN GAS von ¼" bis 4".

Manchon gaz en inox AISI 304 DN GAS de ¼" à 4".

Manguito en acero inoxidable AISI 304 DN GAS de ¼" a 4".

DN GAS	¼"	⅜"	½"	¾"	1"	1" ¼	1" ½	2"	2" ½	3"	4"
A	18	20	25	30	35	40	40	43	45	45	50
B	17	21	28	35	40	50	55	70	85	100	128

E22

Tronchetto in acciaio inox Aisi 304 DN GAS da ¼" a 4".

Male threaded coupling in AISI 304 stainless steel - ND BSP from ¼" to 4".

Nippel - W.Nr. 1.4301 DN GAS von ¼" bis 4".

Tronçon mâle en inox AISI 304 DN GAS de ¼" à 4".

Entronque en acero inoxidable AISI 304 DN GAS de ¼" a 4".



DN GAS	¼"	⅜"	½"	¾"	1"	1" ¼	1" ½	2"	2" ½	3"	4"
A	18	20	25	30	35	40	40	43	45	45	50
B	17	14	20	20	20	20	20	25	25	25	25
C	40	50	60	70	80	100					

E23

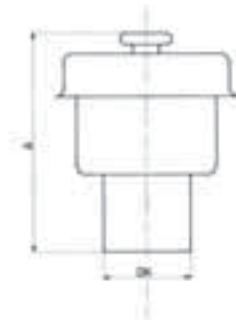
Valvola di sfiato a doppio effetto in acciaio inox a bagno d'olio enologico - AISI 304 o AISI 316.

Double-acting vent in Aisi 304 or Aisi 316 stainless steel operating in vaseline oilbath for the wine industry.

Druckausgleichventil mit Oel füllung W. Nr. 1.4301 - 1.4401.

Soupape à double effet en bain d'huile œnologique inox Aisi 304 ou Aisi 316.

Válvula de desaire de doble efecto en acero inoxidable en baño de aceite enológico - AISI 304 o AISI 316.



DN	40	60	100
A	150	200	245

E24

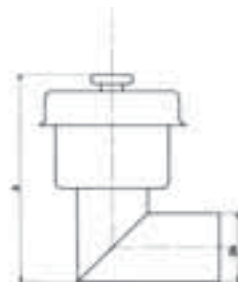
Valvola di sfiato a 90° - doppio effetto in acciaio inox a bagno d'olio enologico - AISI 304 o AISI 316.

Double-acting vent at 90° in Aisi 304 or Aisi 316 stainless steel operating in vaseline oilbath.

Druckausgleichventil mit Oel füllung W. Nr. 1.4301 - 1.4401.

Soupape à double effet à 90° en bain d'huile œnologique inox Aisi 304 ou Aisi 316.

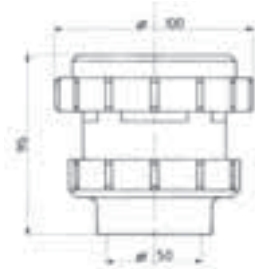
Válvula de desaire a 90° - doble efecto en acero inoxidable en baño de aceite enológico - AISI 304 o AISI 316.



DN	40	60	100
A	170	250	310

E25

Valvola compensatrice di pressione con raccordo Femmina DIN in acciaio inox DN 50
PRESSIONE: + 0,002 Kp/cm²
DEPRESSIONE: - 0,002 Kp/cm²



Pressure compensating valve with threaded DIN female coupling in DN 50 stainless steel.
PRESSURE: + 0,002 Kp/cm²
DEPRESSION: - 0,002 Kp/cm²

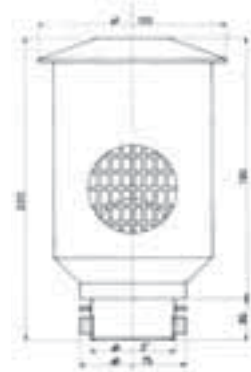
Druckausgleichventil NW 50 (Be- u. Entlüftung) federbelastet, zum Aufschrauben.
Druckbereich von -0,002 bis + 0,002 Kp/cm²

Soupape compensation pression/depression avec nez fileté a souder DIN en inox DN 50.
PRESSION : + 0,002 Kp/cm²
DEPRESSION : - 0,002 Kp/cm²

Válvula de compensación de presión con macho DIN de acero inoxidable DN 50.
PRESIÓN : + 0,002 Kp/cm²
DEPRESIÓN : - 0,002 Kp/cm²

E26

Valvola compensatrice pressione/depressione in polietilene Ø 2" .



2" Ø pressure/depression compensating valve in polyethylene.

Polyäthylen druckausgleichventil. Ø2".

Soupape compensation pression/dépression en polythylene Ø 2".

Válvula de compensación de presión/depresión en polietileno Ø 2".

E27

Valvola compensatrice pressione/depressione in polietilene Ø 1" ¼.



1"¼ Ø pressure/depression compensating valve in polyethylene.

Polyäthylen druckausgleichventil. Ø1"¼.

Soupape compensation pression/dépression en polythylene Ø 1"¼.

Válvula de compensación de presión/depresión en polietileno Ø1"¼.

E28

Valvola compensatrice pressione/depressione in polietilene Ø 1" ¼.



1"¼ Ø pressure/depression compensating valve in polyethylene.

Polyäthylen druckausgleichventil. Ø1"¼.

Soupape compensation pression/dépression en polythylene Ø 1"¼.

Válvula de compensación de presión/depresión en polietileno Ø 1"¼.

E29

Valvola di sfiato di gomma

Rubber vent.

Entlüftungsvent aus Gummi.

Soupape en caotchouc.

Válvula de escape de goma.



E32

Sfiato libero curvo in polietilene Ø 2"

2" Diameter curved vent pipe in polyethylene.

Freier gebogener Entlüfter aus Polyäthylen Ø 2".

Event coudé en polyéthylène Ø 2".

Escape libbre curvo de polietileno 2".



Art. CHVQDRZ101

Chiave inox stampata con sede quadra per art. C1-C2-C3.

Pressed stainless steel spanner for art. C1-C2-C3.



Art. CHVQDRZ102

Chiave inox stampata con sede quadra per art. C4-C5.

Pressed stainless steel spanner art. C4-C5.



Art. GLLBRZ1201

Galletto in bronzo cromato M12 per art. B18-B20-D12-D31.

Bronze plated wing nut M12 for art. B18-B20-D12-D31.



Art. VLT1207004

Volantino in nylon diam.70 con bronzina M12 nero lobato per art. D5-D7-D8-D9-D10-D11-D14-D17-D18-D19-D20-D22.

Nylon hand-wheel diam.70 with brass bearing M12 black for art. D5-D7-D8-D9-D10-D11-D14-D17-D18-D19-D20-D22.



Art. VLT129001S

Volantino inox diam.90 con bronzina M12 satinato per art. D15-D19.

Stainless steel hand-wheel diam.90 with brass bearing M12 for art. D15-D19.



Art. VLT12RZ101L

Volantino inox a 1 razza con boccola M12 lucido per art. D4.

Hand-wheel with one stainless steel spoke M12 for art. D4



Art. VLT1609004

Volantino in nylon diam.90 con bronzina M16 per art. D2-D3-D26 .

Nylon hand-wheel diam.90 with brass bearing M16 for art. D2-D3-D26.



Art. VLT1609003S

Volantino inox diam.90 con boccola M16 satinato per art. D2-D3-D13.

Stainless steel hand-wheel diam.90 M16 for art. D2-D3-D13.



Art. VLT1809003

Volantino in nylon diam.90 con bronzina M18x1.5 nero per art. A9-A10-A14-B16-D4.

Nylon hand-wheel diam.90 with brass bearing for art. A9-A10-A14-B16-D4.



Art. VLT1809002L

Volantino diam.90 con boccola M18x1.5 lucido per art. A19-A23.

Stainless steel hand-wheel diam.90 with brass bearing M18x1.5 for art. A19-A23



Art. VLT181001L

Volantino inox diam.100 con bronzina M18x1.5 lucido.

Stainless steel hand-wheel dima.100 with brass bearing M18x1.5



Art. VLT1810003

Volantino in bronzo cromato diam.100 M18x1.5.

Bronze plated hand-wheel diam.100 M18x1.5.



Art. VLT1816004

Volantino in nylon diam.160 con bronzina M18x1.5 nero per art. A3-A5-A6-A78-A8-A13-B1-B2.

Nylon hand-wheel diam.160 with brass bearing art. A3-A5-A6-A78-A8-A13-B1-B2.



Art. VLT18RZ202L

Volantino inox a 2 razze on bronzina M18x1.5 lucido MODELLO ECONOMICO.

Stainless steel hand-wheel with two poker, brass bearing M18x1.5 ECONOMIC VERSION.



Art. VLT18RZ205L

Volantino inox a 2 razze con bronzina M18 lucido per art. D1.

Stainless steel hand-wheel with two poker M18 for art. D1.



Art. VLT22RZ201L

Volantino inox a 2 razze con bronzina M22 lucido per art. A-A2-A4-A17-A18.

Stainless steel hand-wheel with two spokes, brass bearing M22 for art. A1-A2-A17-A18.



Art. VLT22RZ201S

Volantino inox a 2 razze con bronzina M22 satinato per art. A15-A16-A26.

Stainless steel hand-wheel with two poker M22 for art. A15-A16-A26.



Art. VLT27RZ201L

Volantino inox a 2 razze con bronzina M27 lucido per art. A11-A12.

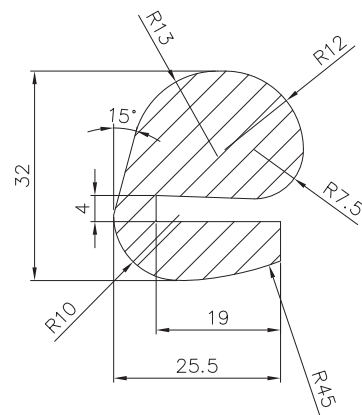
Stainless steel hand-wheel with two poker M27 for art. A11-A12.



Art. A1

Sezione guarnizione art. A1.

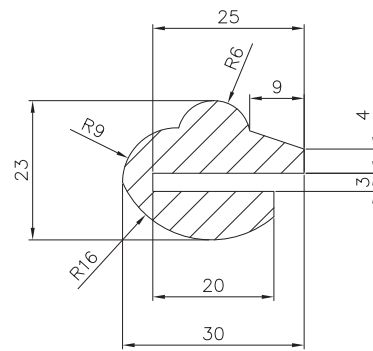
Profile gasket for art. A1.



Art. A2-A4-A17-A18 A26-A27

Sezione guarnizione art. A2-A4-A17-A18-A26-A27.

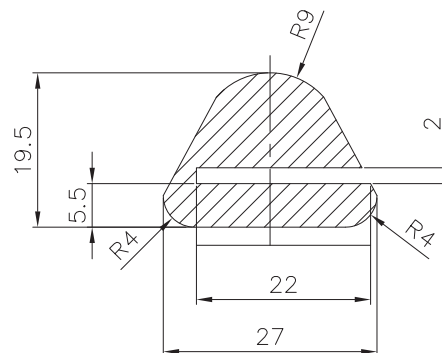
Profile gasket for art. A2-A4-A17-A18-A26-A27.



Art. A3-A5

Sezione guarnizione per art. A3-A5.

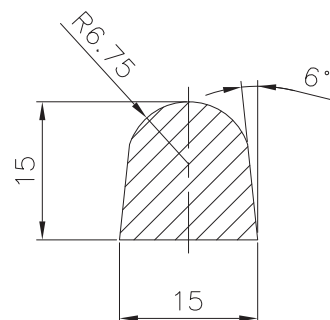
Profile gasket for art. A3-A5.



Art. A6-A7-A8-A9-A10 A13-A14-A20-A24

Sezione guarnizione per art. A6-A7-A8-A9-A10-A13-A14-A20-A24.

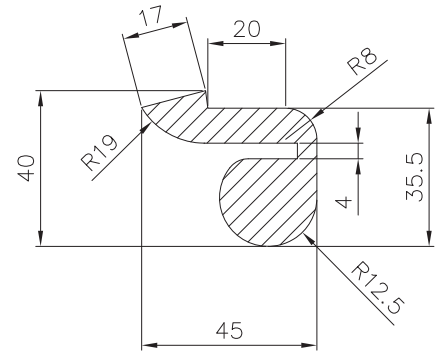
Profile gasket for art. A6-A7-A8-A9-A10-A13-A14-A20-A24.



Art. A11-A12

Sezione guarnizione per art. A11-A12 4 mm

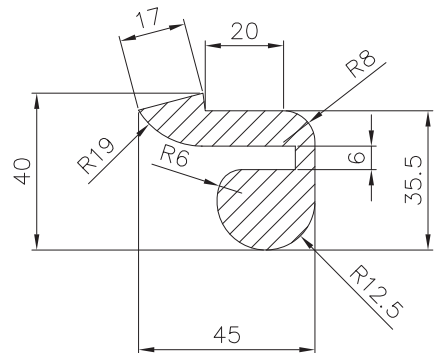
Profile gasket for art. A11-A12 4 mm



Art. A11-A12

Sezione guarnizione per art. A11-A12 6 mm

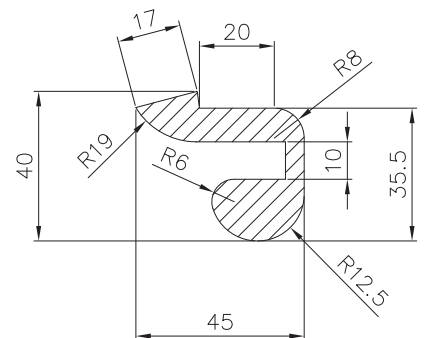
Profile gasket for art. A11-A12 6 mm



Art. A11-A12

Sezione guarnizione per art. A11-A12 10 mm

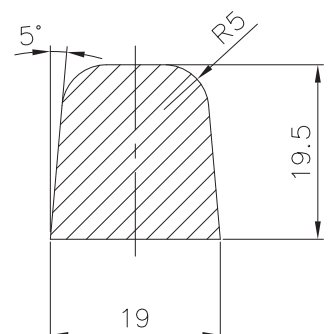
Profile gasket for art. A11-A12 10 mm



Art. A15-A16-A21-A31

Sezione guarnizione per art. A15-A16-A21-A31

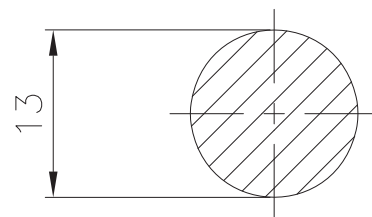
Profile gasket for art. A15-A16-A21-A31



Art. A19-A22-A23

Sezione guarnizione per art. A19-A22-A23

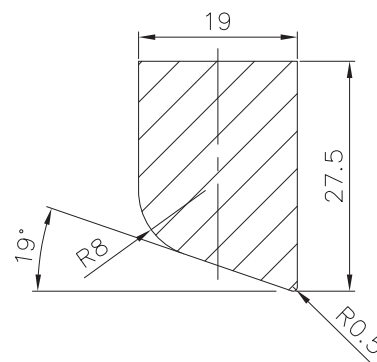
Profile gasket for art. A19-A22-A23



Art. A25

Sezione guarnizione per art. A25

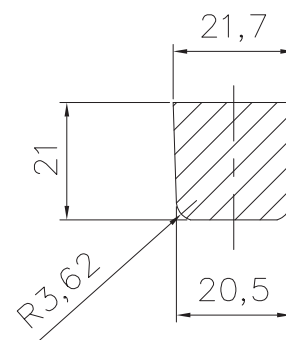
Profile gasket for art. A25



Art. A29

Sezione guarnizione per art. A29

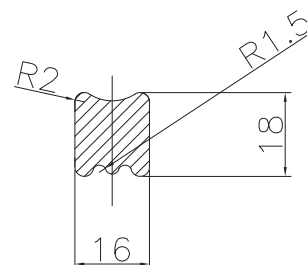
Profile gasket for art. A29



Art. A30

Sezione guarnizione per art. A30

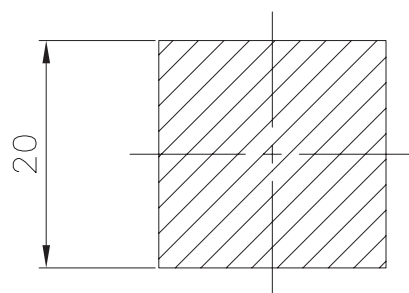
Profile gasket for art. A30



Art. B1

Sezione guarnizione per art. B1

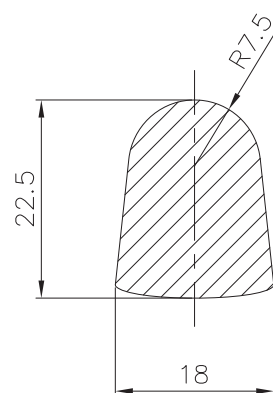
Profile gasket for art. B1



Art. B2-B6-B11-B12 B15-B18-B23-B24

Sezione guarnizione per art. B2-B6-B8-B11-B12-B15-B18-
B23-B24

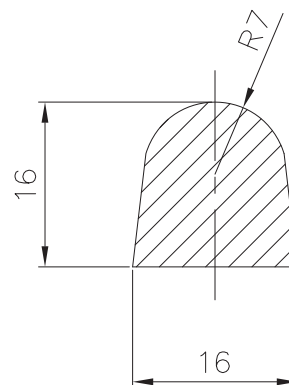
Profile gasket for art. B2-B6-B8-B11-B12-B15-B18-B23-B24



Art. B3-B13-B16

Sezione guarnizione per art. B3-B13-B16

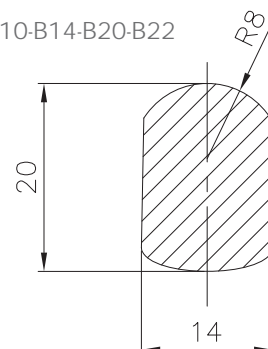
Profile gasket for art. B3-B13-B16



Art. B4-B5-B7-B10-B14 B20-B22

Sezione guarnizione per art. B4-B5-B7-B10-B14-B20
-B22

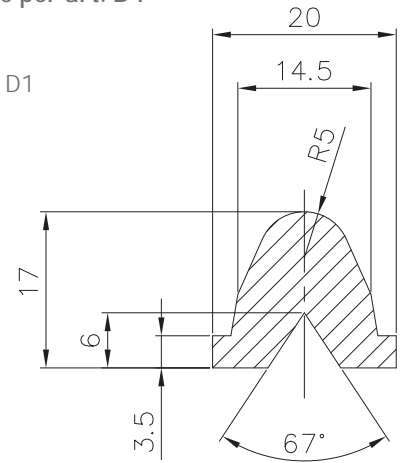
Profile gasket for art. B4-B5-B7-B10-B14-B20-B22



Art. D1

Sezione guarnizione per art. D1

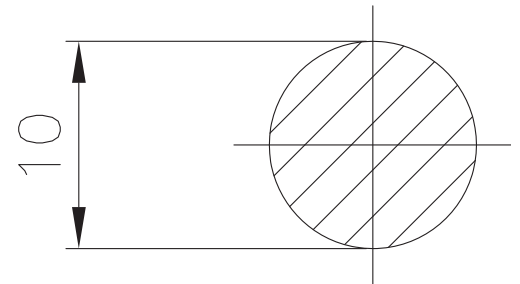
Profile gasket for art. D1



Art. D2-D3-D13-D26-A28

Sezione guarnizione per art. D2-D3-D13-D26-A28

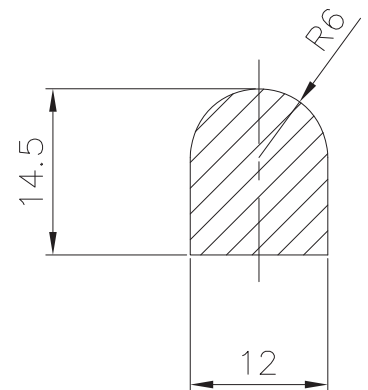
Profile gasket for art. D2-D3-D13-D26-A28



Art. D9-D12

Sezione guarnizione per art. D9-D12 Ø 150

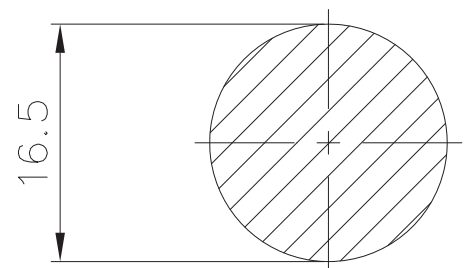
Profile gasket for art. D9-D12 Ø 150



Art. D10-D11-D12

Sezione guarnizione per art. D9-D12 Ø 200

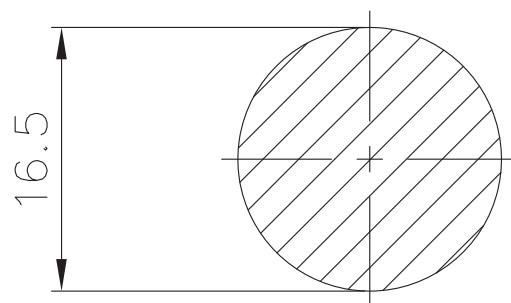
Profile gasket for art. D9-D12 Ø 200



Art. D9-D12

Sezione guarnizione per art. D9-D12 Ø 250

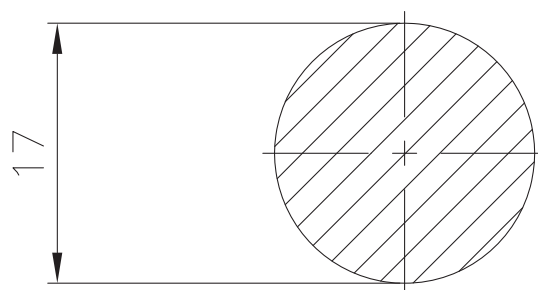
Profile gasket for art. D9-D12 Ø 250



Art. C3-C5-D9-D12

Sezione guarnizione per art. C3-C5-D9-D12 Ø 300

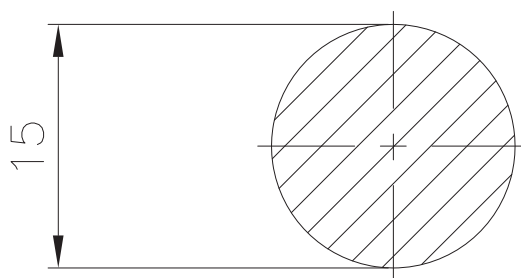
Profile gasket for art. C3-C5-D9-D12 Ø 300



Art. C3-D9-D12

Sezione guarnizione per art. C3-D9-D12 Ø 360

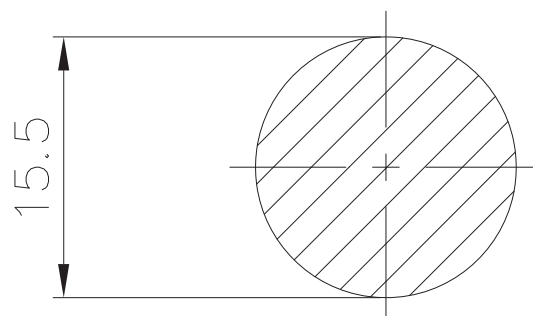
Profile gasket for art. C3-D9-D12 Ø 360



Art. D7-D9-D12

Sezione guarnizione per art. D7-D9-D12 Ø 385

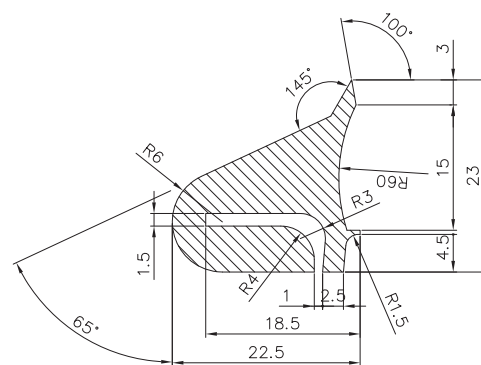
Profile gasket for art. D7-D9-D12 Ø 385



Art. D8-D14-D15-D17 D18-D19-D20-D22-D23

Sezione guarnizione per art. D8-D14-D15-D17-D18-D19-D20-D22-D23 ASETTICA

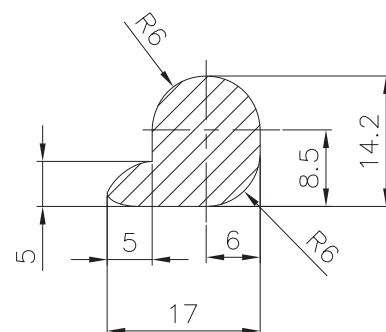
Profile gasket for art. D8-D14-D15-D17-D18-D19-D20-D22-D23 ASEPTIC



Art. C2-C3

Sezione guarnizione per art. C2-C3 Ø 420

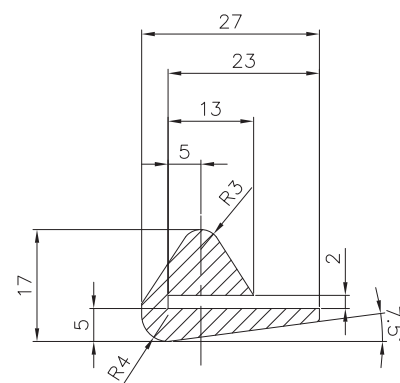
Profile gasket for art. C2-C3 Ø 420



Art. D8-D15-D17-D19 D20-D20-D22-D23

Sezione guarnizione per art. D8-D15-D17-D19-D20-D20-D22-D23

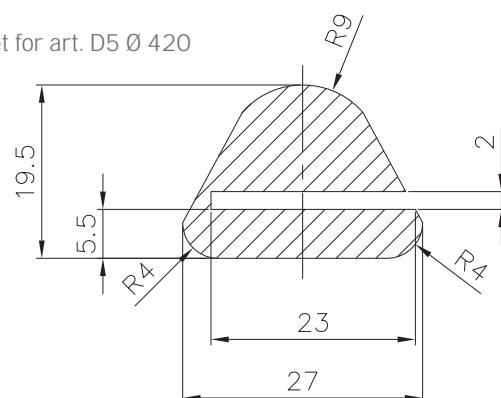
Profile gasket for art. D8-D15-D17-D19-D20-D20-D22-D23



Art. D5

Sezione guarnizione per art. D5 Ø 420

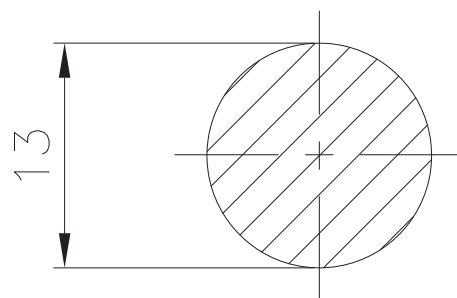
Profile gasket for art. D5 Ø 420



Art. C1-C4-C5-D4-D6 D7-D9-D12

Sezione guarnizione per art. C1-C4-C5-D4-D6-D7-D9-D12
Ø 420

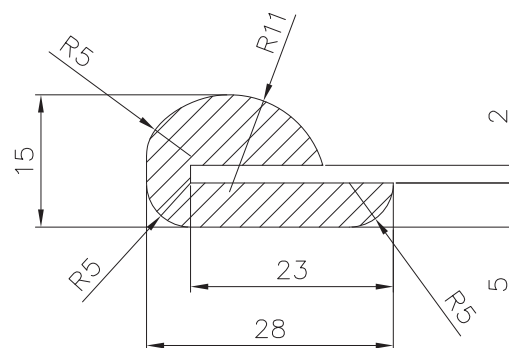
Profile gasket for art. C1-C4-C5-D4-D6-D7-D9-D12 Ø 420



Art. D5

Sezione guarnizione per art. D5 Ø 460

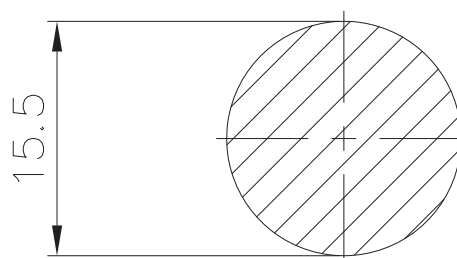
Profile gasket for art. D5 Ø 460



Art. D6-D7-D9-D12

Sezione guarnizione per art. D6-D7-D9-D12 Ø 460

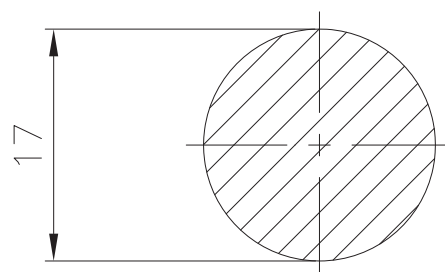
Profile gasket for art. D6-D7-D9-D12 Ø 460



Art. D6-D7-D9-D12

Sezione guarnizione per art. D6-D7-D9-D12 Ø 500

Profile gasket for art. D6-D7-D9-D12 Ø 500



Art. D6-D7-D9-D12

Sezione guarnizione per art. D6-D7-D9-D12 Ø 600

Profile gasket for art. D6-D7-D9-D12 Ø 600

