



# Specification Sheet

## HMS3700, 3770 Insertion Style Mag Meter



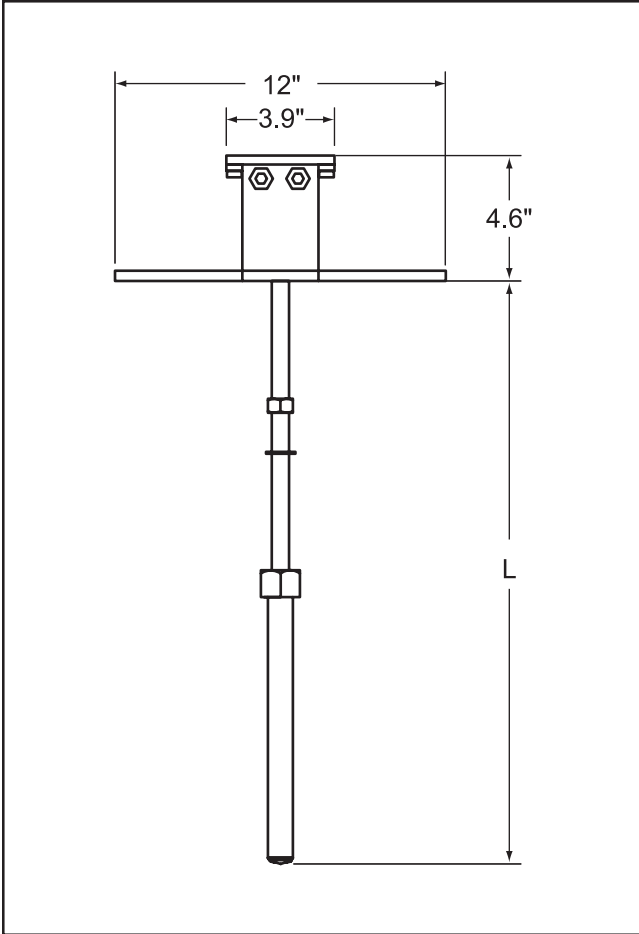
The HMS3700 and HMS3770 models are designed for water and waste water applications. HMS3700 is available with accessories for removal from pressurized lines and is available in three sizes for piping from 10" to 80" in diameter. HMS3770 is for installation in piping which is NOT under pressure and is available in four sizes for piping from 4" to 80" in diameter.

<b>Body Material</b>	304 Stainless steel
<b>Nominal Diameter</b>	1/8" to 3/4"
<b>Working Pressure</b>	225 PSI (16 Bar)
<b>Process Connection</b>	1" Threaded
<b>Liquid Temperature</b>	Nominal 212°F (100°C) 300°F (150°C) with remote converter option B
<b>Lining Material</b>	PTFE (Teflon)
<b>Electrode Material</b>	316 stainless steel
<b>Protection Rating</b>	IP67/68 with integral converter Complete submersion up to 5 feet (IP68) with remote converter option B.
<b>Liquid Conductivity</b>	5µS/cm minimum
<b>Converters</b>	HML110 and HML210

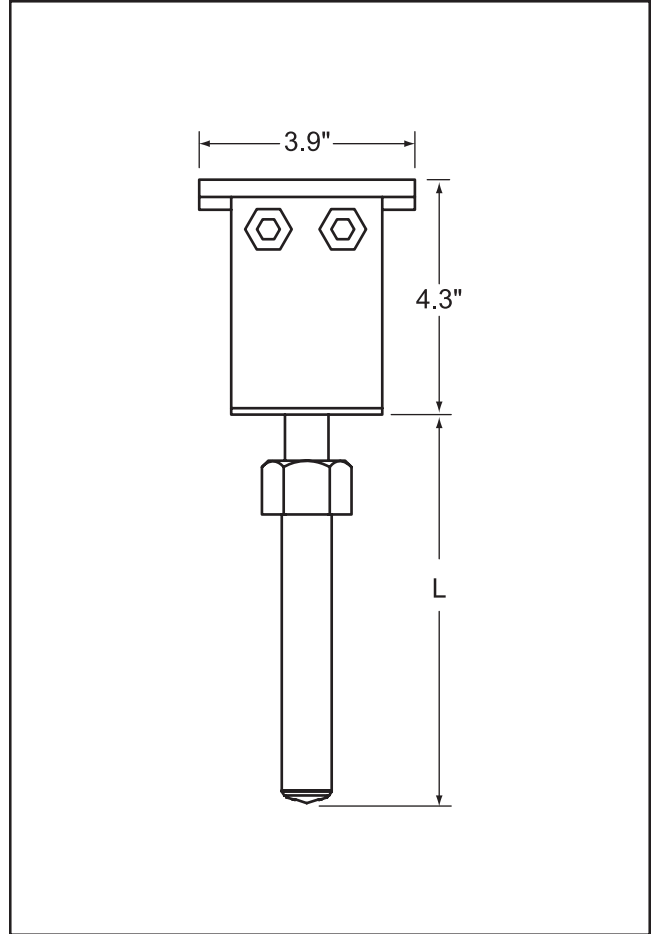


HMS3770

# Dimensions



HMS3700 Insertion Sensor



HMS3770 Insertion Sensor

Size	Pipe Diameter	L
1	3" to 20"	19"
2	3" to 40"	24.5"
3	3" to 80"	34.5"

Size	Pipe Diameter	L
1	3" to 20"	7"
2	3" to 40"	9.5"
3	3" to 80"	18"

**NOTE:** Dimensions shown are not for construction use.  
Consult factory when certified Engineering Drawings are required.



## LIQUID CONTROLS

A Unit of IDEX Corporation  
105 Albrecht Drive  
Lake Bluff, IL 60044-2242  
1.800.458.5262 • 847.295.1050  
Fax: 847.295.1057  
www.lcmeter.com

© 2005 Liquid Controls  
(2/4/05)

