



# Specification Sheet

## HMS2410 Sanitary Style Mag Meter

**LIQUID  
CONTROLS**  
A Unit of IDEX Corporation



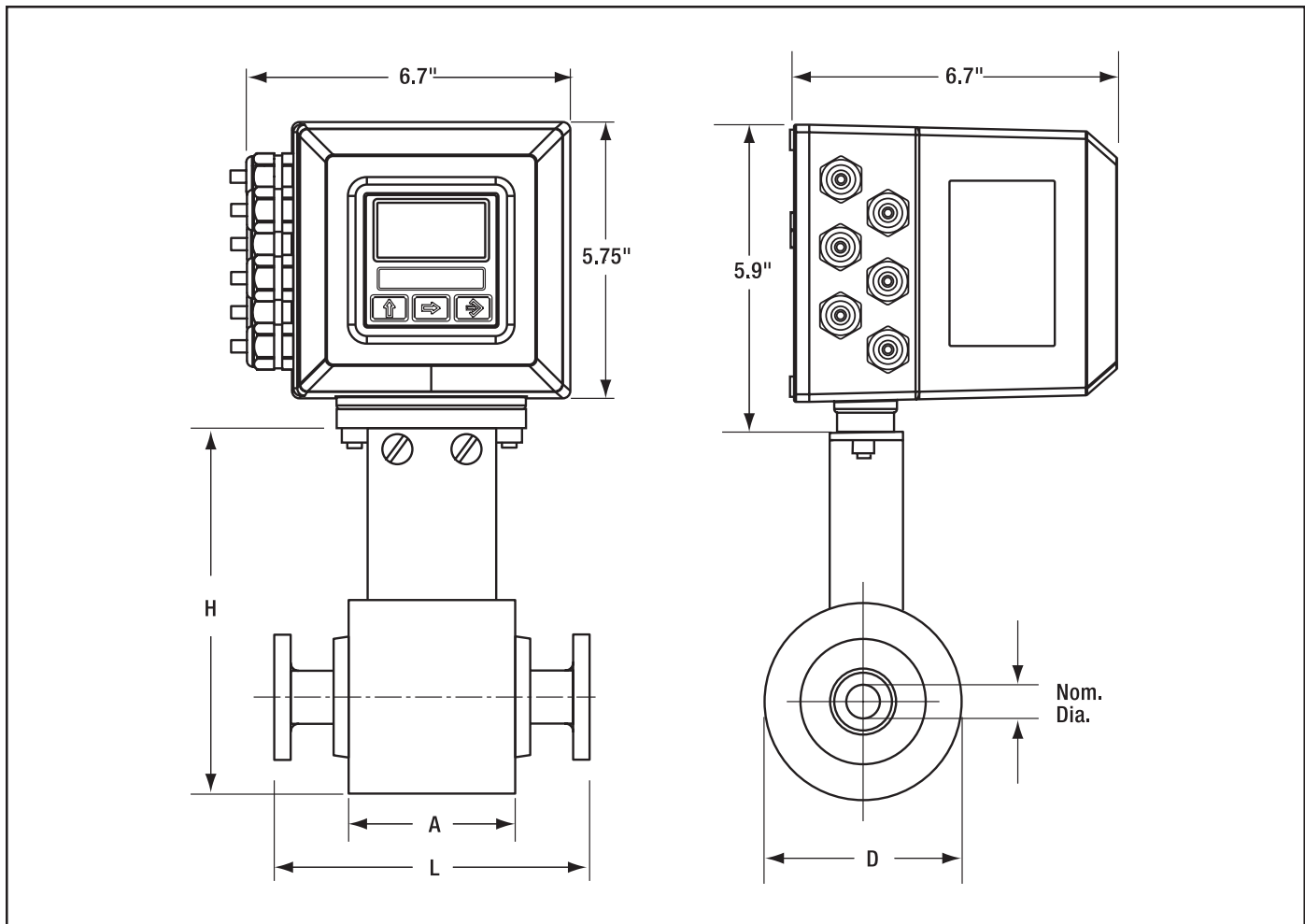
The HMS2410 is an instrument specifically designed for sanitary, food grade applications with nominal diameters from 1" to 4" and flow rates from 8 to 1,200 GPM (30 to 4,667 L/min) with PTFE (Teflon) liners and sanitary connections. These meters are 3A Certified.



**HMS2410**

<b>Body Material</b>	304 Stainless steel, polished
<b>Nominal Diameter</b>	1" to 4"
<b>Working Pressure</b>	225 PSI (16 Bar) 350 PSI (25 Bar) depending on connection and size
<b>Process Connection</b>	Sanitary clamp, DIN Sanitary, SMS
<b>Liquid Temperature</b>	-4° to 212°F (-20° to 100°C) -4° to 300°F (-20° to 150°C) with remote converter
<b>Lining Material</b>	PTFE (Teflon)
<b>Electrode Material</b>	316 stainless steel
<b>Protection Rating</b>	IP67 or IP68 depending on configuration
<b>Liquid Conductivity</b>	5µS/cm minimum
<b>Converters</b>	HML110, HML210, HML3-F1

# Dimensions



**HMS2410 Sanitary Style Sensor Dimensions (inches)**

Nominal Diameter	1"	1.25"	1.5"	2"	2.5"	3"	4"
Dimensions A	4	4	4	4	4	4	4
L	7	7	7	7	7	7.9	7.9
H	6.7	7.2	7.2	8.2	9.2	9.2	10.2
D	3	3.5	3.5	4.5	5.5	5.5	6.5
Weight (Lbs)	3.9	4.4	4.8	9.7	9.2	13.9	18.7

**NOTE:** Dimensions and weights shown are not for construction use. Consult factory when certified engineering prints are required.

**NOTE:** Dimensions shown are not for construction use. Consult factory when certified Engineering Drawings are required.



**LIQUID CONTROLS**  
 A Unit of IDEX Corporation  
 105 Albrecht Drive  
 Lake Bluff, IL 60044-2242  
 1.800.458.5262 • 847.295.1050  
 Fax: 847.295.1057  
 www.lcmeter.com

© 2005 Liquid Controls  
 (01/25/05)

