



# Specification Sheet

## HMS1000 Wafer Style Mag Meter



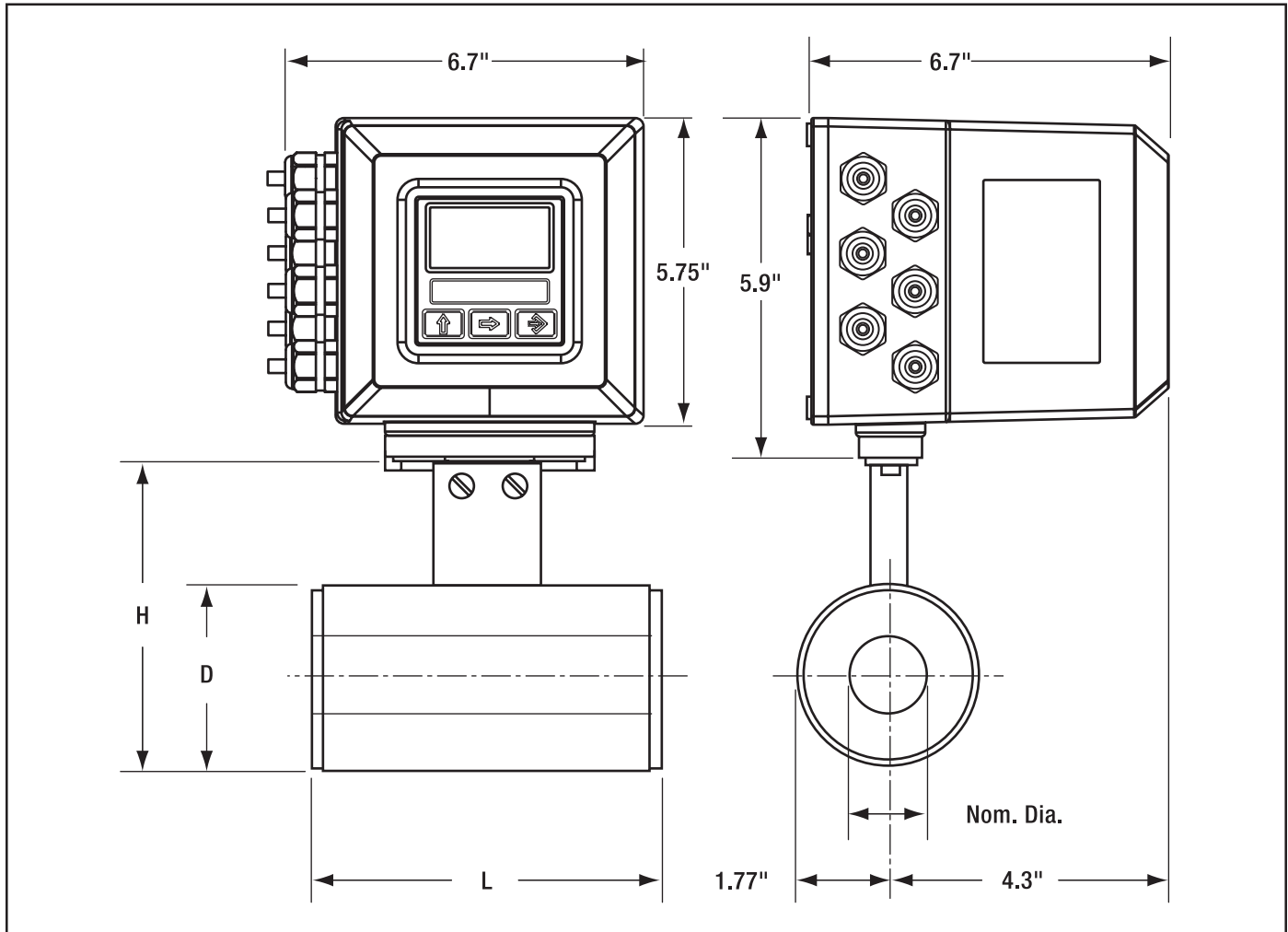
The HMS1000 Wafer style mag meter has been designed for water and waste water applications. The HMS1000 is easy to install between two existing flanges with nominal diameters from 1" to 16" and flow rates from 7.9 to 20,000 GPM (30 to 75,000 L/min). Electrodes are available in 316 Stainless Steel, Hastelloy C, Titanium, Tantalum, and Platinum. Liners are available in PTFE (Teflon), Polypropylene, and Ebonite. Liquid temperature range depends on liner material.

<b>Body Material</b>	Carbon steel
	304 Stainless steel: PTFE (Teflon) lining only
	316 Stainless steel: PTFE (Teflon) lining only
<b>Nominal Diameter</b>	1" to 16"
<b>Working Pressure</b>	225 PSI (16 Bar)
	575 PSI (40 Bar) optional
<b>Process Connection</b>	Wafer
<b>Liquid Temperature</b>	Polypropylene liner: 32° to 140°F (0° to 60°C)
	Ebonite liner: 23° to 176°F (-5° to 80°C)
	PTFE (Teflon) liner: -4° to 212°F (-20° to 100°C)
<b>Lining Material</b>	Polypropylene (sizes 1" to 6")
	Ebonite (sizes 8" to 16")
	PTFE - Teflon (sizes 1" to 16")
<b>Electrode Material</b>	316 stainless steel, Titanium, Hastelloy C
	Tantalum (not with Polypropylene liner)
	Platinum (not with Polypropylene liner)
<b>Protection Rating</b>	IP67 or IP68 depending on configuration
<b>Liquid Conductivity</b>	5µS/cm minimum
<b>Converters</b>	HML110, HML210, HML3-F1



**HMS1000 with  
HML110 Converter**

# Dimensions



**HMS1000 Wafer Style Sensor Dimensions (inches)**

Nominal Diameter	1"	1.25"	1.5"	2"	2.5"	3"	4"	5"	6"*
<b>Dimensions L</b>	4	4	4	4	6	6	6	7	7
<b>H</b>	11.4	12.1	12.5	13.1	13.9	14.4	15.6	16.7	17.6
<b>D</b>	2.2	2.4	2.8	3.4	4.3	4.6	5.7	6.8	7.9
<b>Weight (Lbs)</b>	2.6	3.5	4	4.4	7.9	8.4	11	17.2	18.1

\* For models larger than 6" (up to 16") contact the factory

**NOTE:** Dimensions shown are not for construction use.  
Consult factory when certified Engineering Drawings are required.



**LIQUID CONTROLS**  
A Unit of IDEX Corporation  
105 Albrecht Drive  
Lake Bluff, IL 60044-2242  
1.800.458.5262 • 847.295.1050  
Fax: 847.295.1057  
www.lcmeter.com

© 2005 Liquid Controls  
(01/25/05)

