



Specification Sheet

HML210 Mag Meter Converter

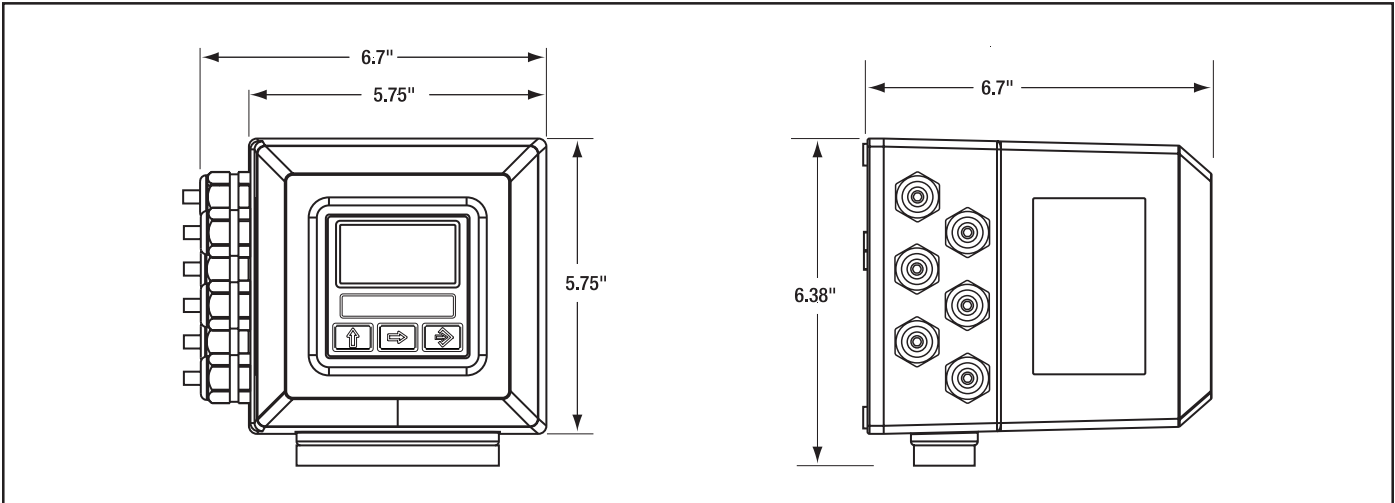


The HML210 Converter is for use with all HMS series flow sensors. The converter is a programmable, microprocessor-driven unit providing automatic zeroing, EEPROM data protection on loss of power, empty pipe detection, and self diagnostics. The display matrix is 128 x 64, 8-line (16 characters per line) with three external membrane programming keys.

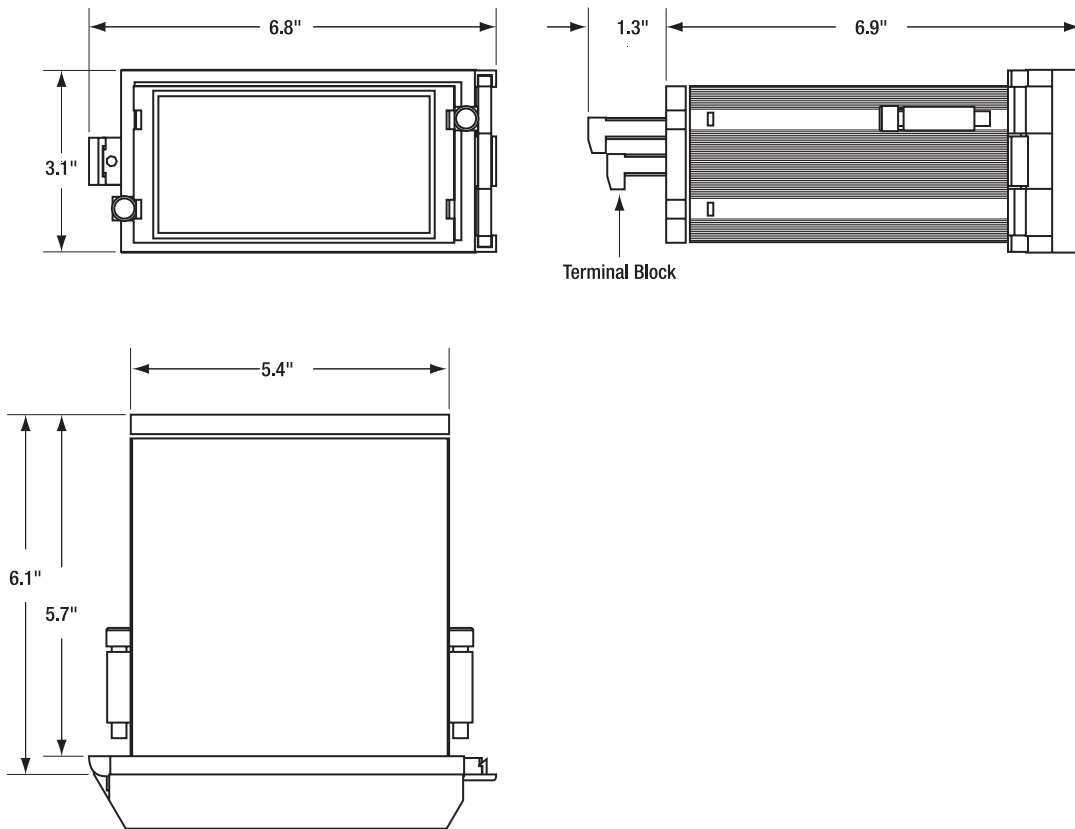


Housing Material	Aluminum (Stainless Steel optional)
Protection Rating	IP67
Temperature Rating	-4° to 140°F (-20° to 60°C)
Display	Optional 16 character, 8 line
Keyboard	3 external programming keys
Pulse/Freq Output	100mA, 40VDC, 1,250 Hz
Current Output	0/4-20 mA
Serial Output	RS485 (RS232 Optional)
Alarm Output	Programmable
Batch Function	Yes
Bi-Directional Flow	Yes
Empty Pipe Detection	Yes
Programming Input	PC or hand held terminal (HMT200)
Accuracy	±0.2%
Repeatability	0.01%
Power Supply and Consumption	90-265VAC@ 45-66 HZ, 25VA 10-63 VDC, 21W 15-45 VAC@ 45-66 Hz, 23VA
Sensor Compatibility	HMS501, HMS1000, HMS2410 HMS2500, HMS3700, HMS3770
Panel Mount Option	Yes

Dimensions



Panel Mount Version



NOTE: Dimensions shown are not for construction use.
Consult factory when certified Engineering Drawings are required.



LIQUID CONTROLS

A Unit of IDEX Corporation
105 Albrecht Drive
Lake Bluff, IL 60044-2242
1.800.458.5262 • 847.295.1050
Fax: 847.295.1057
www.lcmeter.com

© 2005 Liquid Controls
(01/25/05)

