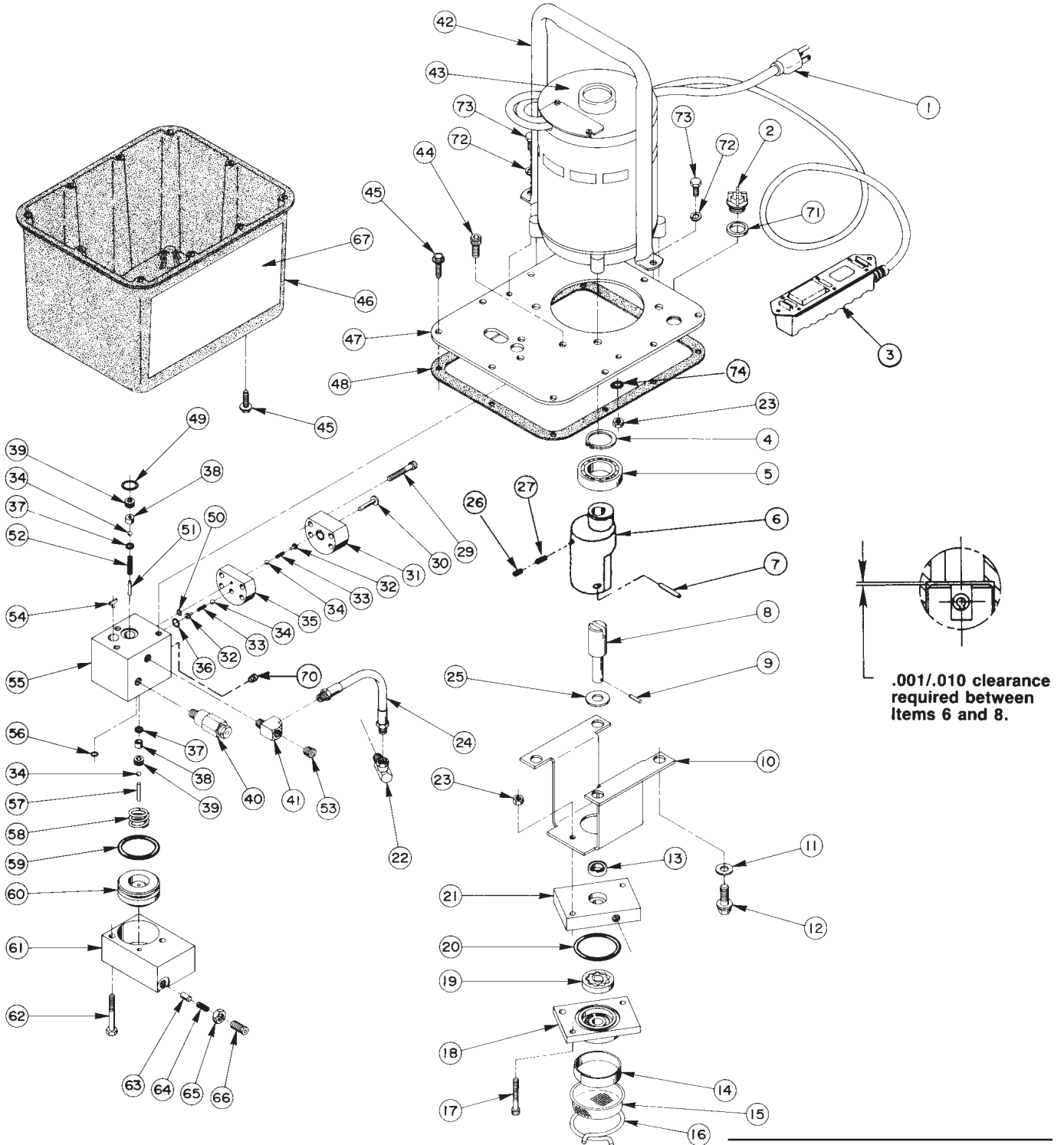


**Parts List for:**

4044	PE17-SOLO	PE172AM
4044-50-110	PE172	PE172AM-50-220
4045	PE172-ABC	PE172F-CLEV
4046	PE172-ET-230	PE172H-CLEV
4046-50-110	PE172-FS	PE172M
4047	PE172A	PE172M-50-220
99150-B	PE172A-BOC	PE172SF-CLEV
HE172	PE172A-DAYCO	PE172-220-PFAFF
HE174	PE172A-EZE	PE173-PC
P116-10	PE172A-FINN	PE174
PA172	PE172A-GRC	PE174M
PA174	PE172A-ITR	PE174M-ETT
PE17-PARK	PE172AF-CLEV	PE174M-50-220
	PE172AH-CLEV	PE174-220-PFAFF

**HYDRAULIC PUMP**



Note: Shaded areas reflect last revision(s) made to this form.

# Parts List, Form No. 100577, Back sheet 1 of 7

Item No.	Part No.	No. Req'd	Description
1	24733	1	Cord Set (Elect. Version)
2	20937	1	Filler/Vent Plug
	†27142	1	Filler/Vent Plug
3	25017	1	Remote Hand Switch Ass'y (Elect. Version; See Form No. 101644)
	10461	1	Remote Foot Switch Ass'y (For P116-10, PE172AF-CLEV, PE172-FS PE172F-CLEV, & PE172H-CLEV)
4	209798	1	Retaining Ring (1-3/16 Shaft)
5	209805	1	Ball Bearing
6	45596	1	Eccentric
7	10973	1	Slotted Spring Pin
8	304835	1	Drive Shaft
9	209794	1	Gerotor Drive Pin
10	52174	1	Pump Mounting Bracket
11	10258	4	Washer (3/8 bolt)
12	213663	4	Cap Screw (3/8-16 UNC X 1" Lg.; Torque to 230/250 in. lbs.)
13	*304830	1	Seal
	†250156	1	Seal
14	21846	1	Filter Support
15	21608	1	Filter
16	11461	1	Clamp Ring
17	10854	2	Cap Screw (1/4-20 UNC X 1-3/4 Lg.; Torque to 60/80 in. lbs.)
18	61169	1	Lower Gerotor Housing
19	304826	1	Gerotor Set
20	*10922	1	O-ring (2-1/8 X 1-15/16 X 3/32)
	†250158	1	O-ring (2-1/8 X 1-15/16 X 3/32)
21	61170	1	Upper Gerotor Housing
22	14440	1	Swivel Elbow Fitting
23	10199	4	Nut (Air & Electric Versions)
24	304819	1	Hose Ass'y
25	12595	1	Brass Washer (1/2 Bolt)
26	10519	1	Set Screw (Torque to 60/80 in. lbs.)
27	10136	1	Set Screw (Air Version)
29	10022	4	Cap Screw (1/4-20 UNC X 1-1/2 Lg.; Torque to 110/130 in. lbs.)
30	304820	1	High Pressure Piston
31	45560	1	Piston Block
32	24549	2	Valve Guide
33	*10445	2	Compression Spring (5/32 O.D. X 3/4 Lg.)
34	*12223	4	Ball (3/16 Dia.)
35	45559	1	Check Block
36	*14763	1	O-ring (7/16 X 5/16 X 1/16)
	†13472	1	O-ring (7/16 X 5/16 X 1/16)
37	*10442	2	Copper Washer (3/8 X 1/4 X 1/32 Thk.)
38	*209787	2	Replaceable Seat
39	209797	2	Hollow Lock Screw (7/16-20 UNF-3A; Torque to 110/130 in. lbs.)
40	21278	1	Relief Valve Ass'y
	21278-88	1	Relief Valve Ass'y (For PE172A-ITR & PE172A-FINN; Set at 8,900/9,500)
41	19463	1	Tee Fitting
42	47492	1	Handle (Air & Electric Versions)
43	58196WH2	1	Electric Motor
	58196BK2	1	Electric Motor (For PE172AF-CLEV, PE172AH-CLEV, PE172F-CLEV, & PE172H-CLEV)
	58196BL20	1	Electric Motor (For P116-10)
	13643	1	Air Motor (For models 4045, 4047, PA172, & PA174 manufactured after July 1991)
44	10030	1	Cap Screw (5/16-18 UNC X 3/4 Lg.; Torque to 220/240 in. lbs.)
45	209799	AR	Self-Tapping Screw (1/4-10 X 7/8 Lg.)
	10177	10	Screw (1/4-20 UNC X 3/4 Lg.; For pumps with metal reservoirs.)
46	61165	1	Reservoir
	61165BK2	1	Reservoir (For PE172AF-CLEV, PE172AH-CLEV, PE172SF-CLEV, PE172F-CLEV, & PE172H-CLEV)
	64538OR9	1	Reservoir (For PE172M, PE172AM, PE174AM, PE172AM-50-220, PE172A-50-220 & PE174M-50-220)
	40063OR9	1	Reservoir (For PE17-SOLO)

Note: Shaded areas reflect last revision(s) made to this form.

Continued -

Part numbers marked with an asterisk (\*) are contained in Repair Kit No. 300430.  
 Part numbers marked with a dagger (†) are contained in EPR Seal Kit No. 300648.  
 AR: As Required

Item No.	Part No.	No. Req'd	Description
47	<b>61166BK2</b>	1	Cover Plate
	<b>61166RE2</b>	1	Cover Plate (For P116-10)
	<b>66218BK2</b>	1	Cover Plate (For PE17-PARK, PE172-ABC, PE172A-BOC & PE17-SOLO)
48	<b>*40164</b>	1	Cover Gasket
49	<b>*10273</b>	1	O-ring (13/16 X 5/8 X 3/32)
	† <b>250157</b>	1	O-ring (13/16 X 5/8 X 3/32)
50	<b>*10265</b>	1	O-ring (5/16 X 3/16 X 1/16)
	† <b>17714</b>	1	O-ring (5/16 X 3/16 X 1/16)
51	<b>12149</b>	1	Dowel Pin (1/8 Dia. X 3/4 Lg.)
52	<b>*16057</b>	1	Compression Spring (3/16 O.D. X 1" Lg.)
53	<b>10427</b>	1	Pipe Plug (1/8 NPTF)
54	<b>209795</b>	1	Outlet Ball Stop
55	<b>61167</b>	1	Check Body
56	<b>*10266</b>	1	O-ring (3/8 X 1/4 X 1/16)
	† <b>17715</b>	1	O-ring (3/8 X 1/4 X 1/16)
57	<b>211843</b>	1	Dowel Pin (3/16 Dia. X 1" Lg.; Loctite Pin in Piston Hole with Radius End Out)
58	<b>*16346</b>	1	Compression Spring (1" O.D. X 7/8 Lg.)
59	<b>*10283</b>	1	O-ring (2" X 1-5/8 X 3/16)
	† <b>250159</b>	1	O-ring (2" X 1-5/8 X 3/16)
60	<b>46063</b>	1	Automatic Valve Piston
61	<b>52167</b>	1	Automatic Valve Block
62	<b>13037</b>	2	Cap Screw (1/4-20 UNC X 2" Lg.; Torque to 40/50 in. lbs.)
63	<b>15156</b>	1	Dowel Pin (1/4 Dia. X 1/2 Lg.; Tapered End Toward Spring)
64	<b>11221</b>	1	Compression Spring (1/4 O.D. X 1" Lg.)
65	<b>10386</b>	1	Locknut (3/8-24 UNF)
66	<b>*29786</b>	1	Adjusting Screw
67	<b>350126</b>	2	Trade Name Decal (For 4044, 4045, 4046, 4046-50-220 & 4047)
	<b>304840</b>	2	Trade Name Decal (For 4044-50-110)
	<b>307137</b>	2	Trade Name Decal (For 4046-50-110)
	<b>309219</b>	2	Trade Name Decal (For PE17 Series)
	<b>305101</b>	2	Trade Name Decal (For HE172)
	<b>305257</b>	2	Trade Name Decal (For HE174)
	<b>211929</b>	2	Trade Name Decal (For 99150-B)
	<b>252187</b>	2	Trade Name Decal (For PE172-220-PFAFF & PE174-220-PFAFF)
70	<b>15130</b>	1	Pipe Plug (1/8 NPTF)
71	<b>200415</b>	1	Rubber Seal
	† <b>17723</b>	1	Rubber Seal
72	<b>10245</b>	2	Lockwasher (1/4 Bolt; Air & Electric Versions)
73	<b>10009</b>	2	Cap Screw (1/4-20 UNC X 3/4 Lg.; Torque to 60/80 in. lbs.; Air & Electric Versions)
74	<b>11351</b>	2	Washer (Electric Versions)
<b>PARTS INCLUDED BUT NOT SHOWN</b>			
	<b>*200188</b>	1	Warning Decal (Elect. versions)
	<b>203972</b>	1	Decal (CSA Approval; For 4044, 4046-50-220, 4046, PE172A-ITR & PE172A-FINN)
	† <b>250328</b>	1	Decal (EPR Seals)
	† <b>11278</b>	1	Tube Elbow
	† <b>15061</b>	1	Male Connector
	† <b>251229</b>	1	Oil Line
	<b>10673</b>	1	Fitting (For PE172AF-CLEV & PE172AH-CLEV)
	<b>251617</b>	1	Coupler (For PE172AF-CLEV, PE172AH-CLEV, PE172F-CLEV, & PE172H-CLEV)
	<b>10909</b>	1	Plug Fitting (3/8 NPTF; For PE172AF-CLEV, & PE172AH-CLEV)
	<b>251874</b>	1	Decal (ISO; For PE172A-DAYCO)
	<b>9796</b>	1	Coupler (For PE172A-EZE)
	<b>351060</b>	1	Gasket (Between motor and cover plate)
	<b>253524</b>	1	Serial No. Decal (PFAFF; For PE172-220-PFAFF)
	<b>16339</b>	1	Foot Switch Guard (For P116-10)
	<b>42576WH2</b>	1	Control Box Cover (For PE17-SOLO)
	<b>16254</b>	1	90° Elbow Fitting (For PE172F-CLEV & PE172H-CLEV)

Part numbers marked with an asterisk (\*) are contained in Repair Kit No. 300430.  
Part numbers marked with a dagger (†) are contained in EPR Seal Kit No. 300648.

Sheet No. 2 of 7

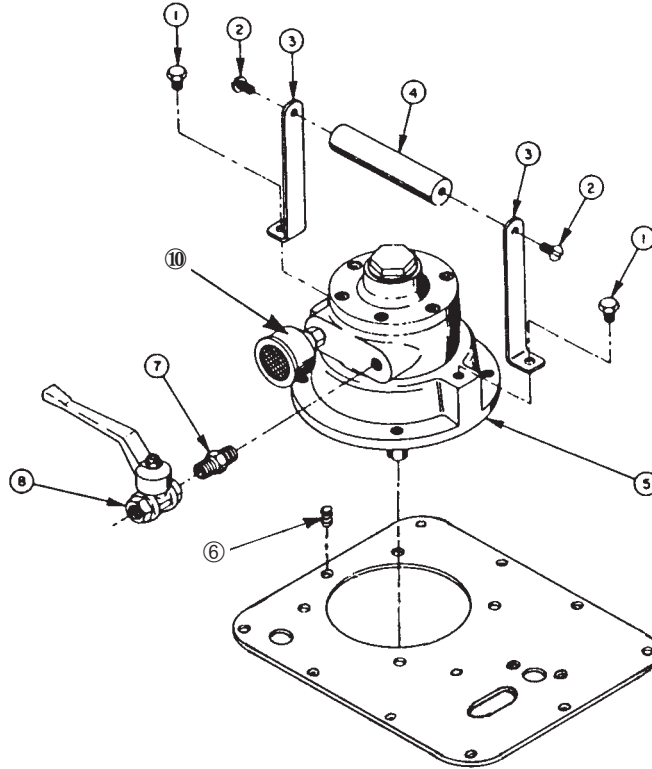
Note: Shaded areas reflect last revision(s) made to this form.

Rev. 18 Date: 15 Apr. 2001

## AIR MOTOR VERSION

(For model no.'s 4045, 4047, PA172 & PA174 manufactured before July 1991)

Note: For air version pump models manufactured after July 1991, refer to the list on back sheet 1 of 7.



Item No.	Part No.	No. Req'd	Description
1	11573	2	Cap Screw (5/16-18 UNC X 1/2 Lg.)
2	10174	2	Machine Screw (1/4-20 UNC X 1/2 Lg.)
3	28157	2	Bracket
4	28158	1	Handle
5	*33405	1	Air Motor
6	15668	1	Set Screw (1/4-20 UNC X 1/2 Lg.; Turn in Until Flush with Cover Plate)
7	10672	1	Straight Fitting (For 4045 & 4047)
	12328	1	Straight Fitting (For PA172 & PA174)
8	211629	1	Directional Valve (For 4045 & 4047)
	13645	1	Directional Valve (For PA172 & PA174)
10	252579	1	Muffler

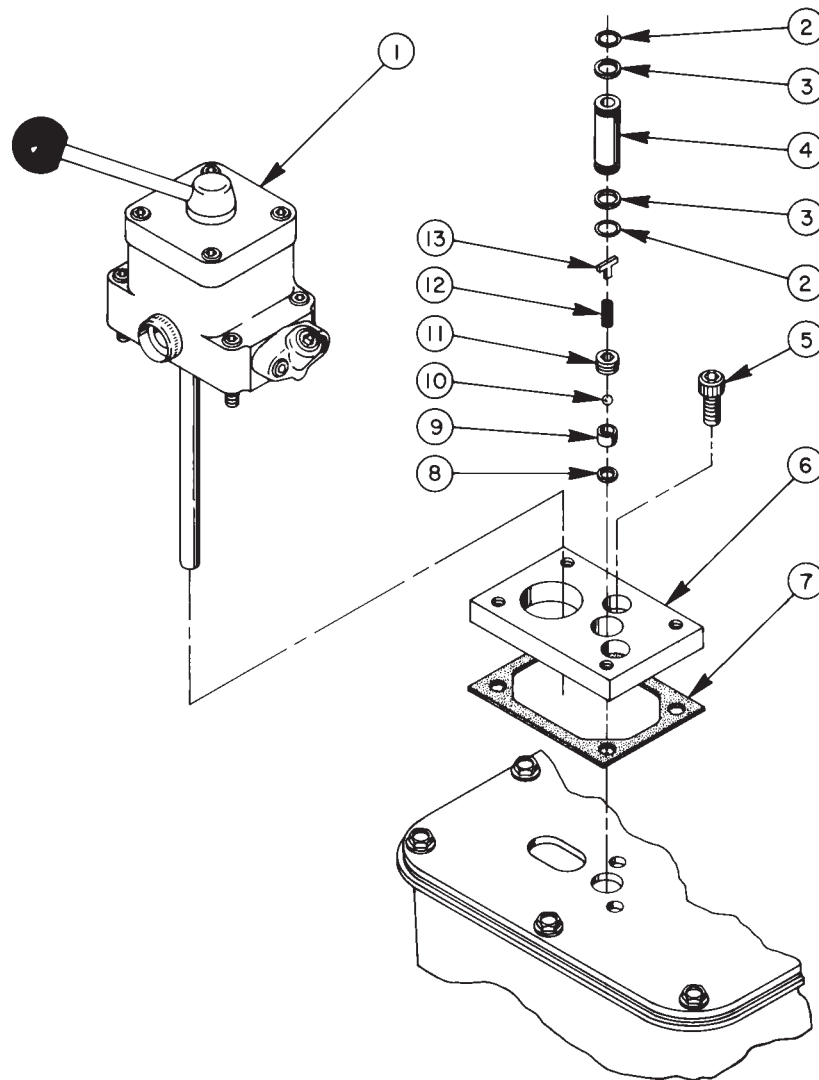
\*Note: For air motor repair kit, order no. 252170.

Refer to any operating instructions included with this product for detailed information about operation, testing, disassembly, reassembly, and preventive maintenance.

Items found in this parts list have been carefully tested and selected. **Therefore: Use only genuine replacement parts!**

Additional questions can be directed to our Technical Services Department.

### OPTIONAL VALVE ASSEMBLIES 4-Way Tandem Center Directional Valve



Item No.	Part No.	No. Req'd	Description
1	9500	1	4-Way Valve Ass'y (see Form No. 100623)
2	•*10268	2	O-ring (1/2 X 3/8 X 1/16)
	†17716	2	O-ring (1/2 X 3/8 X 1/16)
3	•*11863	2	Backup Washer (1/2 X 3/8 X 1/16)
4	209809	1	Coupling
5	10030	2	Cap Screw (5/16-18 UNC X 3/4 Lg.; Torque to 220/240 in. lbs.)
6	52165	1	Adapter Block Manifold

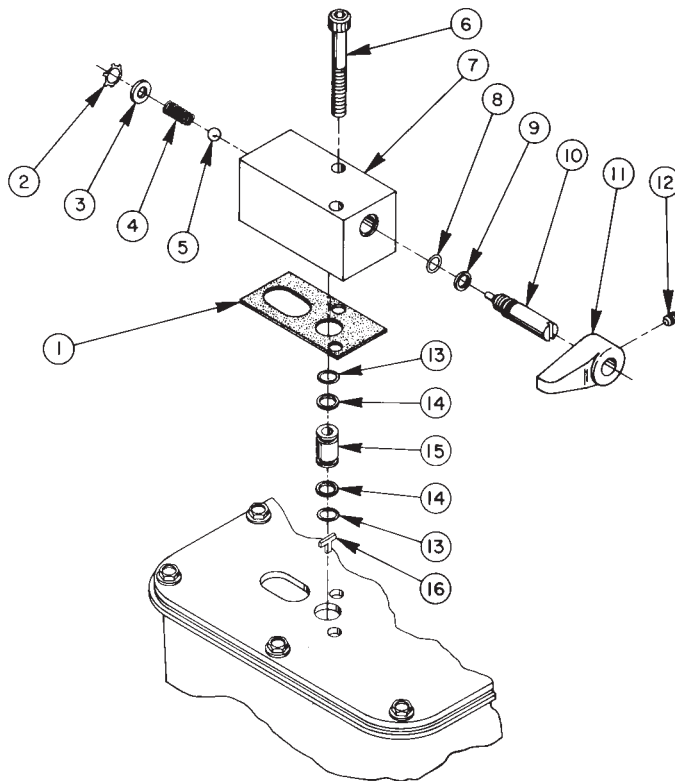
Item No.	Part No.	No. Req'd	Description
7	*200395	1	Gasket
8	•*10442	1	Copper Washer (1/4 Bolt)
9	•*209787	1	Replaceable Seat
10	•*12223	1	Steel Ball (3/16 Dia.)
11	209797	1	Hollow Lock Screw (7/16-20 UNF-3A; Torque to 110/130 in. lbs.)
12	*211797	1	Compression Spring (5/32 O.D. X 5/8 Lg.)
13	•209795	1	Outlet Ball Stop

Part numbers marked with an asterisk (\*) are contained in Repair Kit No. 300430.

Part numbers marked with a dagger (†) are contained in EPR Seal Kit No. 300648.

Part numbers marked with a bullet (•) are contained in Outlet Check Repair Kit No. 300606.

## OPTIONAL VALVE ASSEMBLIES 2 Position, 2-Way Manual Valve

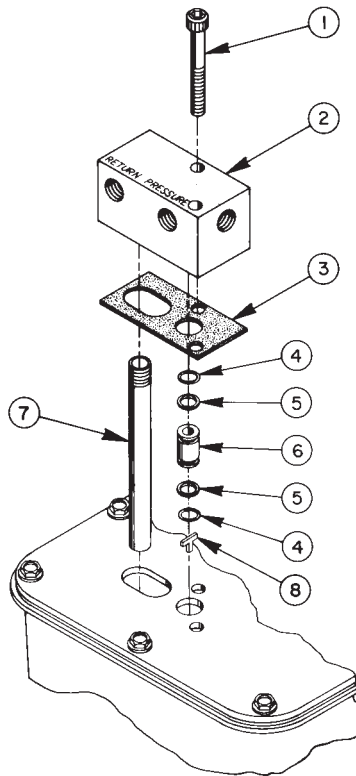


Item No.	Part No.	No. Req'd	Description
1	<b>*304829</b>	1	Gasket
2	<b>*11088</b>	1	Retaining Ring (9/16 Shaft)
3	<b>11089</b>	1	Washer (3/16 Bolt)
4	<b>*11024</b>	1	Compression Spring (1/4 O.D. X 5/8 Lg.)
5	<b>*10423</b>	1	Steel Ball (9/32 Dia.)
6	<b>209945</b>	2	Cap Screw (5/16-18 UNC X 2-1/2 Lg.; Torque to 220/240 in. lbs.)
7	<b>52168</b>	1	Valve Body
8	<b>*10267</b>	1	O-ring (7/16 X 5/16 X 1/16)
	<b>†13472</b>	1	O-ring (7/16 X 5/16 X 1/16)
9	<b>*15085</b>	1	Backup Washer (7/16 X 5/16 X 3/64 Thk.)

Item No.	Part No.	No. Req'd	Description
10	<b>304849</b>	1	Release Valve Screw
11	<b>213109</b>	1	Release Valve Handle
12	<b>10556</b>	1	Set Screw (1/4-20 UNC X 1/4 Lg.; Torque to 30/50 in. lbs.)
13	<b>*10268</b>	2	O-ring (1/2 x 3/8 X 1/16)
	<b>†17716</b>	2	O-ring (1/2 x 3/8 X 1/16)
14	<b>*11863</b>	2	Backup Washer (1/2 X 3/8 X 1/16)
15	<b>202505</b>	1	Coupling
16	<b>209795</b>	1	Outlet Ball Stop (Part of the Basic Pump Ass'y)
	<b>52170</b>	1	Complete Valve Ass'y (Consists of Items 1 thru 15)

Part numbers marked with an asterisk (\*) are contained in Repair Kit No. 300430.  
Part numbers marked with a dagger (†) are contained in EPR Seal Kit No. 300648.

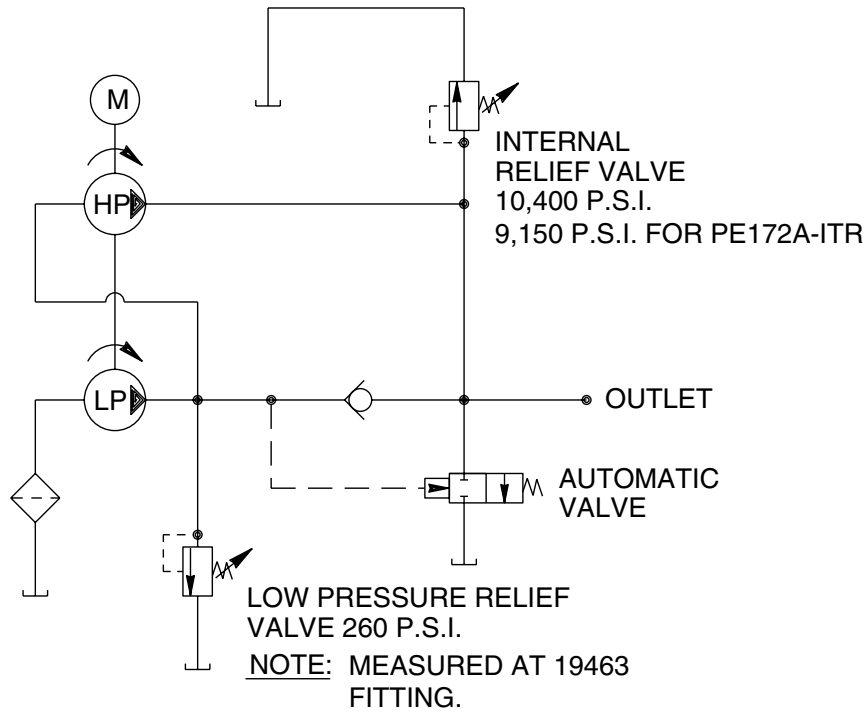
### MANIFOLD ASSEMBLY



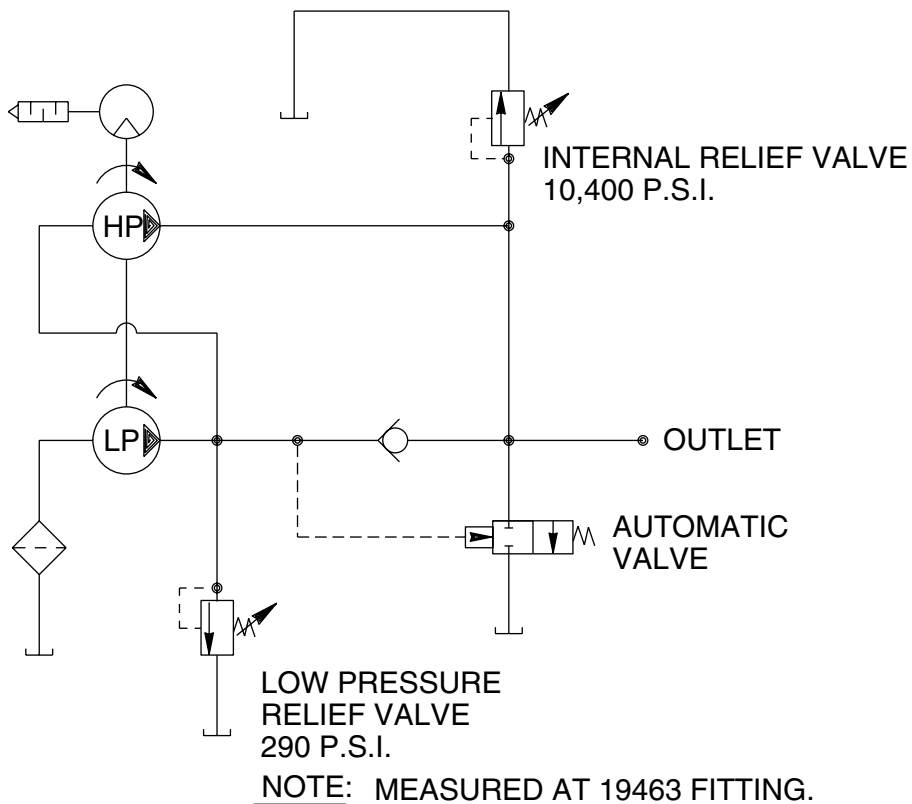
Item No.	Part No.	No. Req'd	Description	Item No.	Part No.	No. Req'd	Description
1	209945	2	Cap Screw (5/16-18 UNC X 2-1/2 Lg.; Torque to 220/240 in. lbs.)	5	*11863	2	Backup Washer (1/2 X 3/8 X 1/16)
2	45554	1	Manifold	6	202505	1	Coupling
3	*304829	1	Gasket	7	200609	1	Drain Line
4	*10268	2	O-ring (1/2 X 3/8 X 1/16)	8	209795	1	Outlet Ball Stop (Part of the Basic Pump Ass'y)
	†17716	2	O-ring (1/2 X 3/8 X 1/16)				

Part numbers marked with an asterisk (\*) are contained in Repair Kit No. 300430.  
 Part numbers marked with a dagger (†) are contained in EPR Seal Kit No. 300648.

## HYDRAULIC SCHEMATIC FOR ELECTRIC MOTOR PUMPS



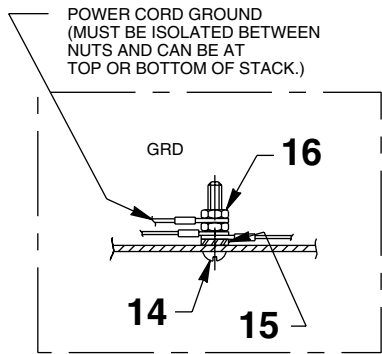
## HYDRAULIC SCHEMATIC FOR AIR MOTOR PUMPS





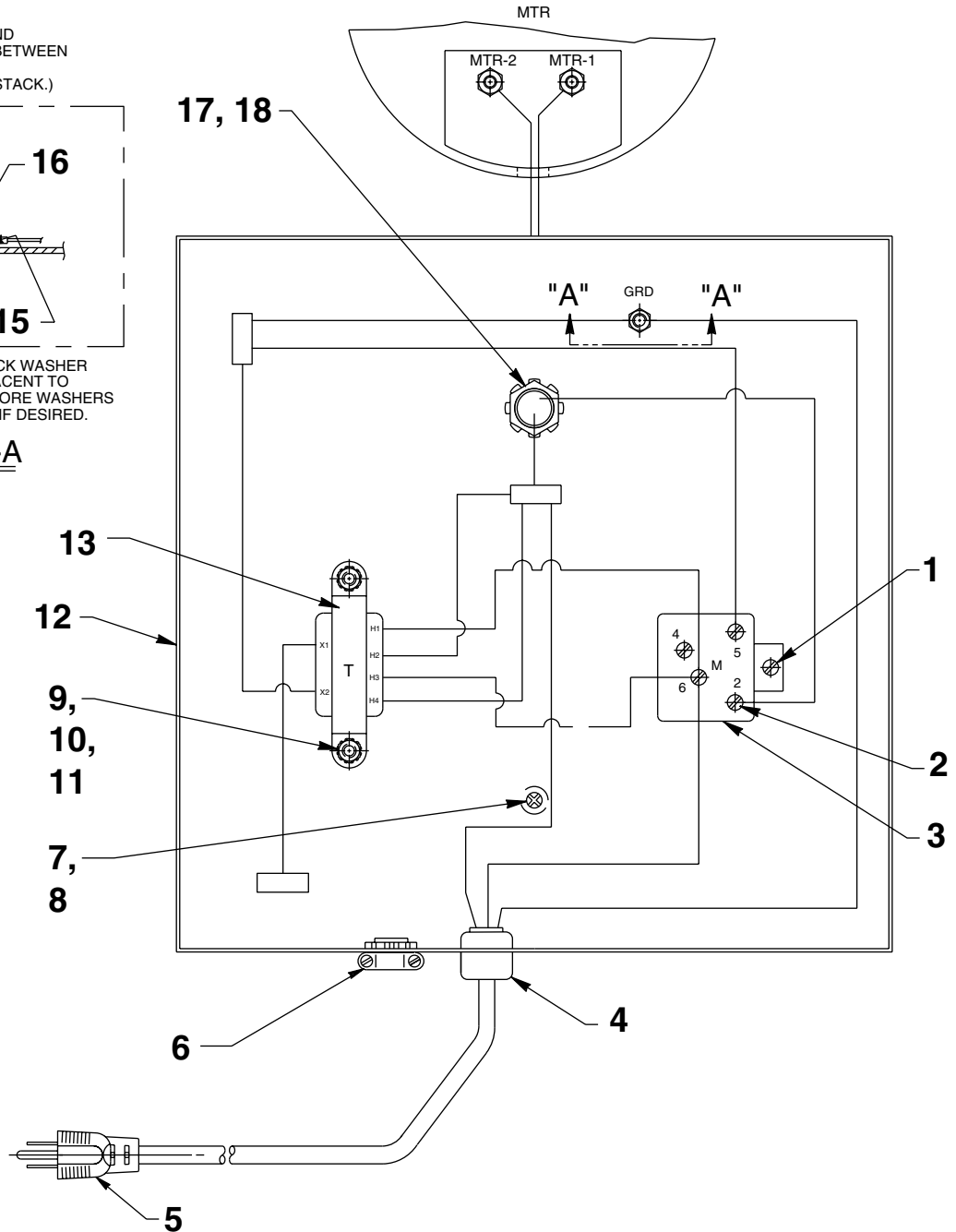
# MOTOR CONTROL ASSEMBLY FOR PE172A-EZE

FOR PROPER MOTOR VOLTAGE CONNECTION AND ROTATION SEE CONNECTION INFORMATION SUPPLIED WITH MOTOR.



NOTE: SERRATED LOCK WASHER MUST BE ADJACENT TO METAL BOX. MORE WASHERS CAN BE USED IF DESIRED.

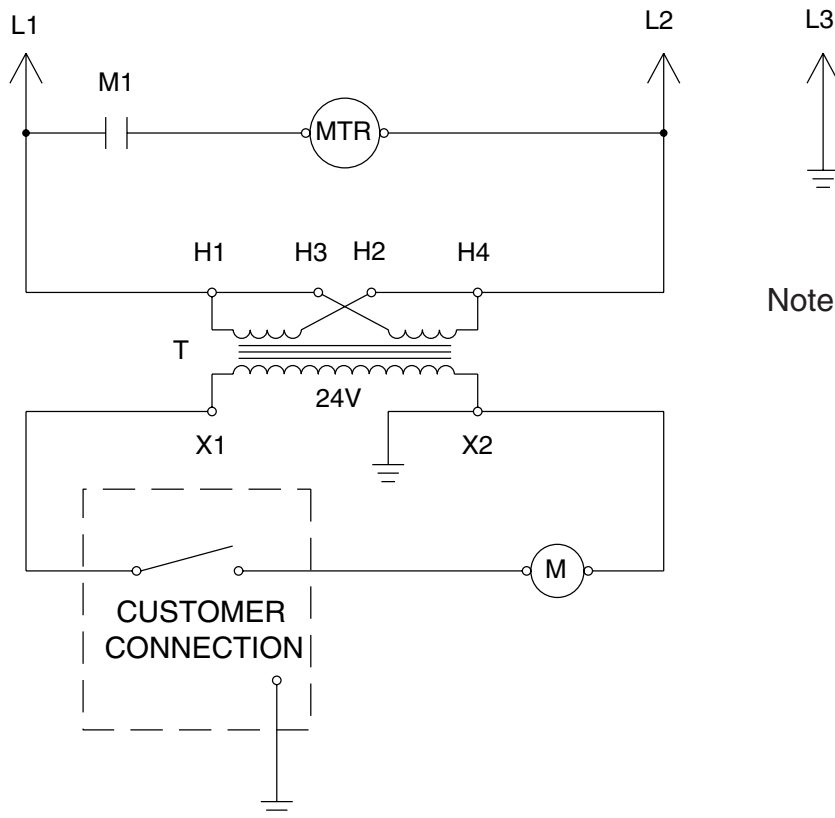
VIEW A-A



Item No.	Part No.	No. Req'd	Description
1	17370	1	Screw (6-20 X 1/4 Lg.)
2	10975	4	Screw (8-32 UNC X 5/16 Lg.)
3	14667	1	Starter Electrical Relay
4	15993	2	Strain Relief Bushing
5	24733	1	Cord (8 ft.; For 115 V. pumps)
	12293	7'	Electrical Cable (For 220 V. pumps)
6	11203	1	Conduit Connector
7	252253	1	Screw (8-32 x 3/8 Lg.)
8	12355	2	Washer (For #8 bolt)
9	10962	2	Screw (8-32 UNC X 1/2 Lg.)

Item No.	Part No.	No. Req'd	Description
10	10196	2	Nut (#8-32 UNC)
11	11388	2	Washer (#8 External Tooth)
12	42575WH2	1	Electrical Control Box
13	305665	1	Transformer
14	10167	1	Screw (#10-24 UNC X 3/4 Lg.)
15	11108	1	Washer (#10 External Tooth)
16	10197	2	Nut (#10-24 UNC)
17	11202	1	Nipple
18	11362	1	Conduit Locknut

### ELECTRICAL SCHEMATIC FOR PE172A-EZE

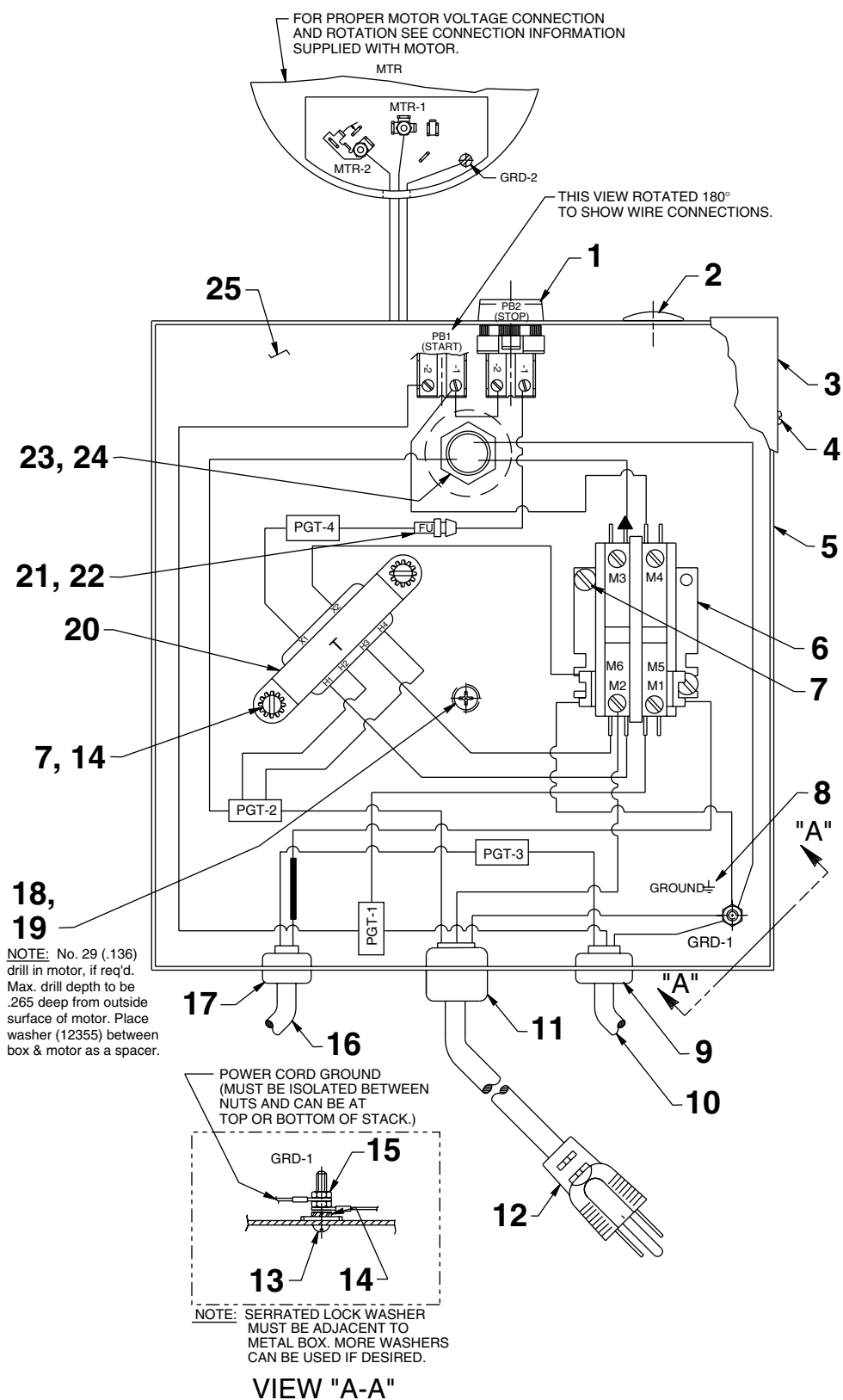


Note: Transformer connections are as shown for 115 v., 50/60 Hz.

For 220 v., 50/60 Hz. units, transformer connections to be as follows:

- H1 to L1
- H2 to H3
- H4 to L2

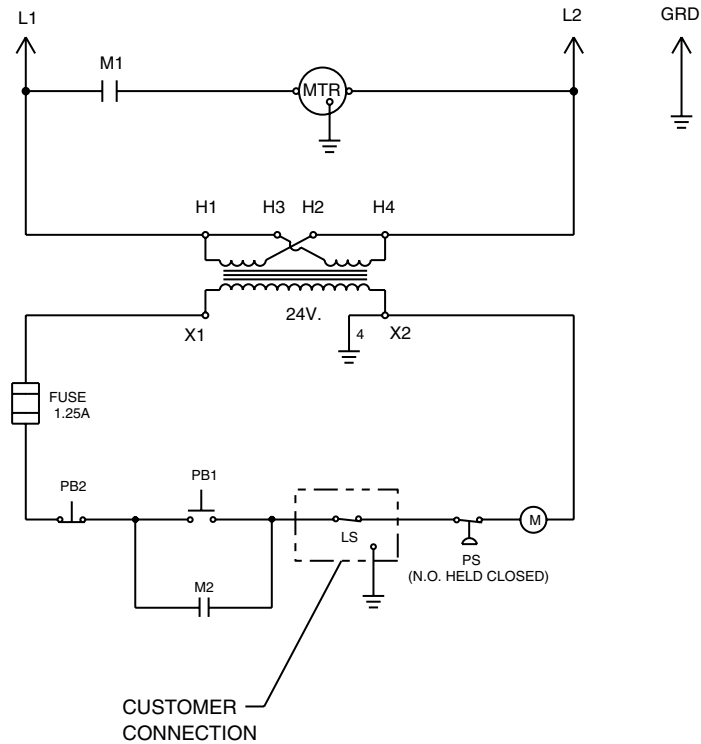
# MOTOR CONTROL ASSEMBLY FOR PE172-ABC



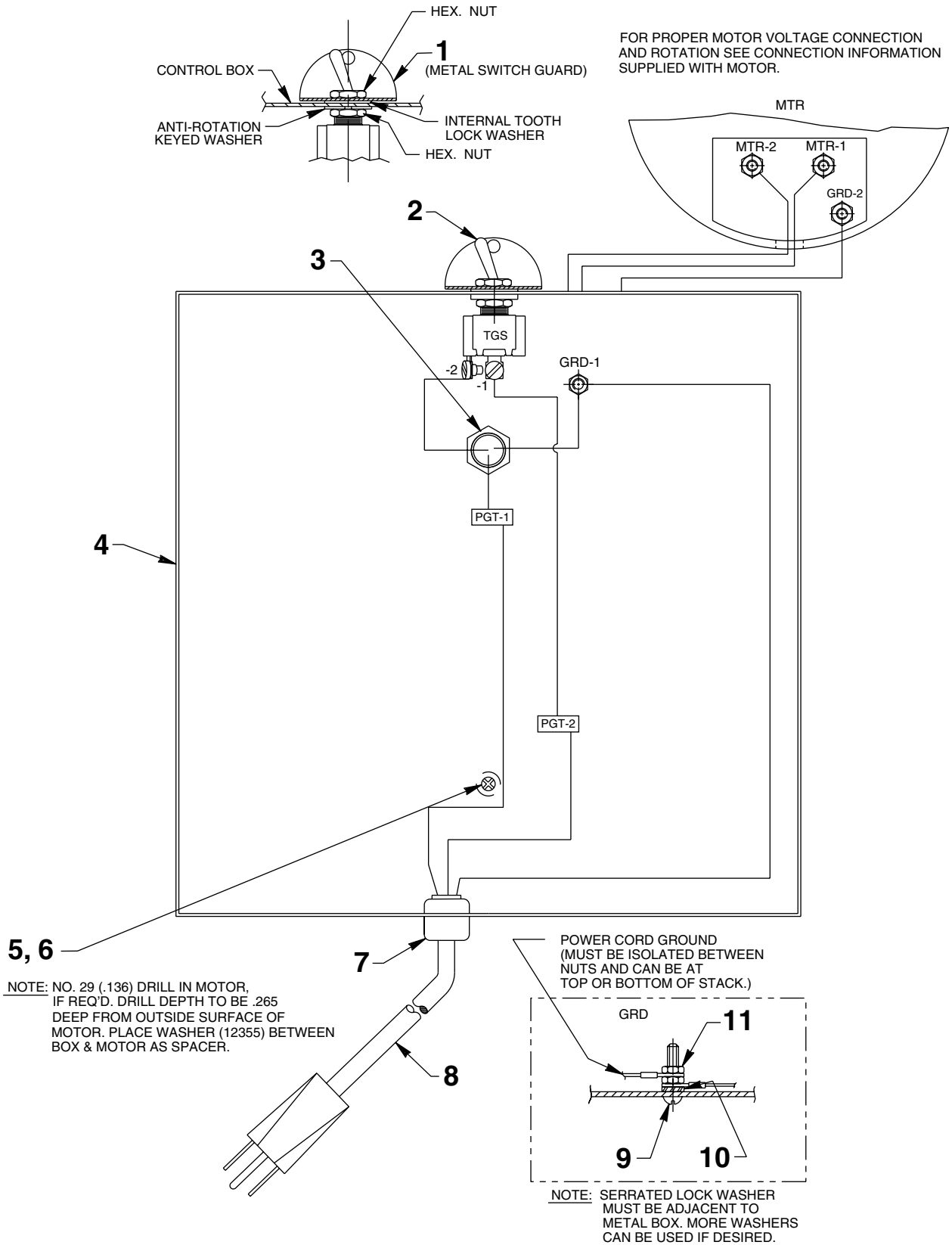
NOTE: No. 29 (.136) drill in motor, if req'd. Max. drill depth to be .265 deep from outside surface of motor. Place washer (12355) between box & motor as a spacer.

Item No.	Part No.	No. Req'd	Description	Item No.	Part No.	No. Req'd	Description
1	309019	1	Push Button Switch	14	11108	3	Ext. Tooth Washer (.40 x .20)
2	17782	1	Snap Plug	15	10197	2	Hex Nut (10-24)
3	43126WH2	1	Control Box Cover	16	52203	1	Pressure Switch (See Form No. 100589)
4	14812	4	Pan Hd. Screw (8-18 x 3/8)	17	215857	1	Strain Relief Bushing
5	51218WH2	1	Electrical Control Box	18	13532	1	Pan Hd. Screw (8-32 x 1/2)
6	420718-4	1	Contactor (2 pole)	19	206857	1	Special Washer (.53 x .21)
7	11539	4	Rnd. Hd. Screw (10-24 x 1/4)	20	305665	1	Transformer
8	205189	1	Ground Decal	21	250442	1	Fuse (1.25 AMP 250 V.)
9	15993	1	Strain Relief Bushing	22	16887	1	Fuse Holder
10	12908	3'	Cable (18/3 SJTO)	23	11202	1	Nipple
11	210112	1	Strain Relief Bushing	24	212434	1	Plain Washer (1.76 x .95)
12	307440	1	Cord (8' Lg.; 115 V. 12/3 SJTO)	25	250440	1	Warning Decal
13	11856	1	Rnd. Hd. Screw (10-24 x 1)				

### ELECTRICAL SCHEMATIC FOR PE172-ABC



# MOTOR CONTROL ASSEMBLY FOR PE17-SOLO

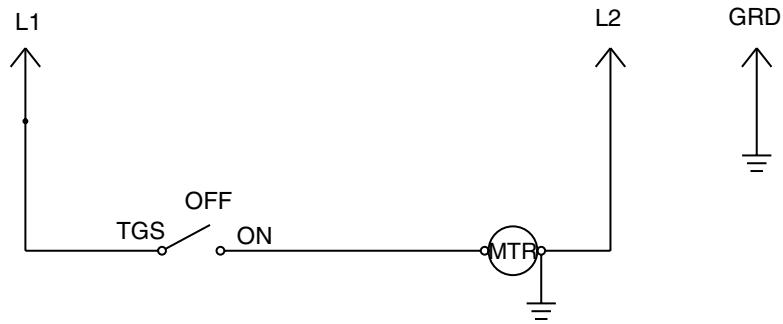


# Parts List, Form No. 100577, Back sheet 7 of 7

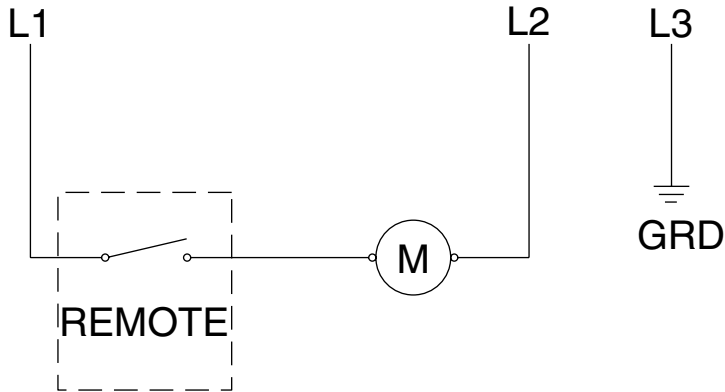
Item No.	Part No.	No. Req'd	Description
1	352061	1	Switch Guard
2	12301	1	Toggle Switch
3	11202	1	Nipple
4	42575WH2	1	Electrical Control Box
5	252253	1	Pan Hd. Screw (8-32 x 3/8)
6	12355	1	Plain Washer (.44 x .19)
7	15993	1	Strain Relief Bushing

Item No.	Part No.	No. Req'd	Description
8	24733	1	Cord (8' Lg.; 115 V. 16/3 SJTO)
9	10167	1	Rnd. Hd. Screw (10-24 x 3/4)
10	11108	1	Ext. Tooth Washer (.40 x .20)
11	10197	2	Hex Nut (10-24)

## ELECTRICAL SCHEMATIC FOR PE17-SOLO



## ELECTRICAL SCHEMATIC FOR PUMPS WITH REMOTE CONTROLS



## ELECTRICAL SCHEMATIC FOR PE172A-BOC

