

# Self-operated Pressure Regulators

## Type 2422/2424 Pressure Reducing Valve



ANSI version

### Application

Pressure regulators for set points from **0.75 to 35 psi** (0.05 to 2.5 bar) · Valves in **NPS 6 to 10**<sup>1)</sup> (DN 150 to 250) · Pressure rating **Class 125 to 300** · Suitable for water, gases and vapors up to **660 °F** (350 °C)

The valve **closes** when the downstream pressure **rises**.



The pressure reducing valve, consisting of a valve and an actuator, controls the downstream pressure to an adjustable set point. The medium pressure to be kept constant is transmitted through a control line to the diaphragm of the actuator.

### Special features

- Low-maintenance, medium-controlled proportional regulators requiring no auxiliary energy
- Wide set point range and convenient set point adjustment using a nut
- Exchangeable actuator and set point springs
- Spring-loaded, single-seated valve with upstream and downstream pressures balanced by a stainless steel bellows or by a balancing diaphragm
- Low-noise standard plug · Special version with flow divider St I or St III for further noise level reduction (see Data Sheet ▶ T 8081)
- Reduced  $C_v$  ( $K_{vs}$ ) coefficients to adapt the regulator to the operating conditions

### Versions

**Type 2422/2424** · Pressure reducing valve in sizes NPS 6 to 10 (DN 150 to 250), consisting of:

**Type 2422 Valve** with soft-seated plug, balanced by a bellows or a diaphragm · Body of cast iron A126B, cast steel A216 WCC or cast stainless steel A351 CF8M

**Type 2424 Actuator** with EPDM rolling diaphragm

### Special versions

- With flow divider St I or St III for particularly low-noise operation
- Metal-seated plug
- With FPM (FKM) rolling diaphragm, e.g. for mineral oils or flammable gases
- With NBR rolling diaphragm for flammable gases
- Version completely in stainless steel for pressure ratings Class 125 to 300 · Details on request
- Versions for oxygen
- Actuator with two diaphragms
- With metal cover to protect the set point springs

<sup>1)</sup> Valves larger than NPS 10 (DN 250) on request

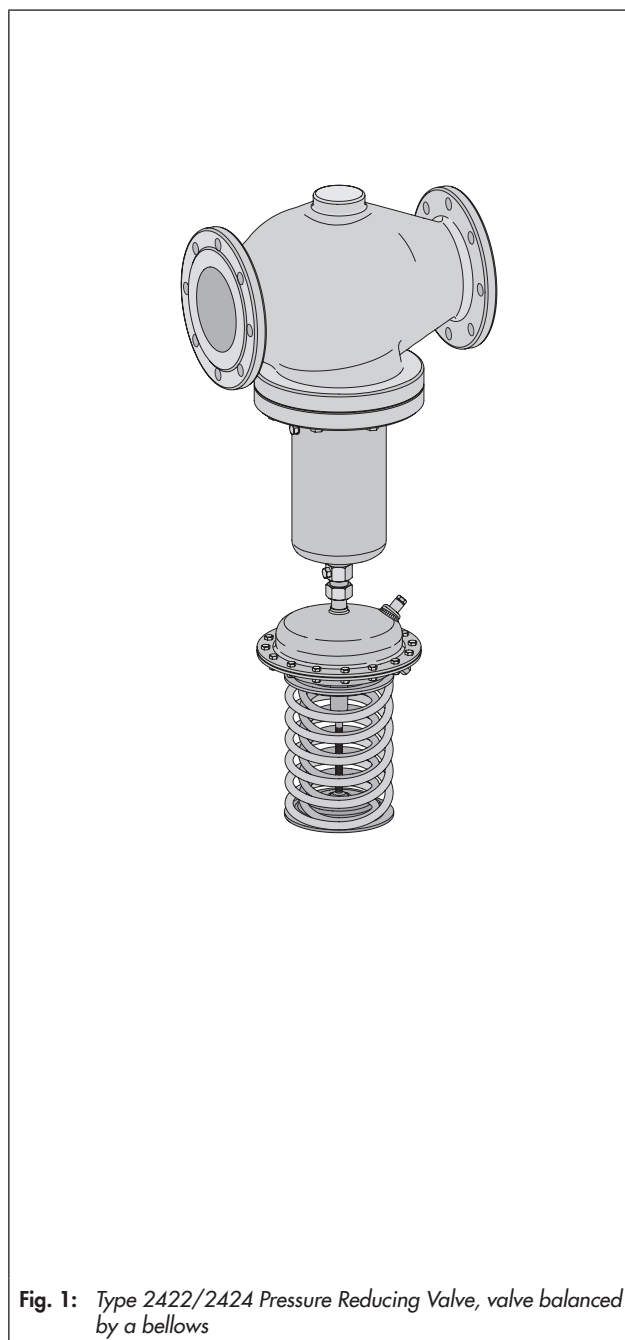


Fig. 1: Type 2422/2424 Pressure Reducing Valve, valve balanced by a bellows

## Principle of operation

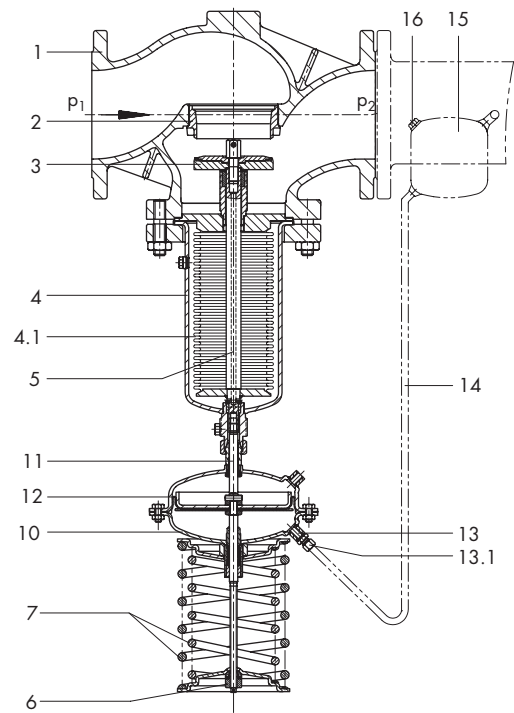
The medium flows through the valve in the direction indicated by the arrow. The position of the plug (3) determines the flow rate across the area released between plug and valve seat (2). The plug stem (5) with the plug is connected to the actuator stem (11) of the actuator (10).

The downstream pressure  $p_2$  is regulated by the set point springs (7) and the set point adjuster (6). When relieved of pressure, the valve is opened by the force of the set point springs.

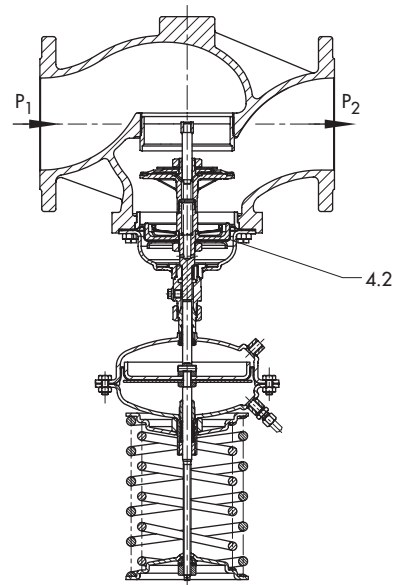
The downstream pressure  $p_2$  to be controlled is tapped downstream of the valve and transmitted over the control line to the operating diaphragm (12) where it is converted into a positioning force. This force is used to move the valve plug (3) according to the force of the set point springs. The spring force is adjustable at the set point adjuster (6). When the force resulting from the downstream pressure  $p_2$  rises above the adjusted pressure set point, the valve closes proportionally to the change in pressure.

The principle of operation of the regulator balanced by a bellows or diaphragm only differs concerning the pressure balancing. The valves balanced by a diaphragm have a balancing diaphragm (4.2) instead of a bellows (4.1). In both cases, the forces created by the upstream and downstream pressures that act on the valve plug are balanced out.

The valves can be supplied with flow divider St I or St III. The valve seat must be replaced on retrofitting the flow divider.



Functional diagram of Type 2422/2424  
Type 2422 Valve balanced by a bellows



Functional diagram of Type 2422/2424  
Type 2422 Valve balanced by a diaphragm

- 1 Valve body
  - 2 Seat
  - 3 Plug
  - 4 Bellows housing
  - 4.1 Balancing bellows
  - 4.2 Balancing diaphragm
  - 5 Plug stem
  - 6 Set point adjuster
  - 7 Set point springs
  - 10 Actuator
  - 11 Actuator stem
  - 12 Operating diaphragm
  - 13 Control line connection G 1/4 (with 1/4 NPT adapter)
  - 13.1 Screw joint with restriction
  - 14 Control line (to be provided on site)
  - 15 Condensation chamber
  - 16 Filler plug
- Upstream pressure  $p_1$   
Downstream pressure  $p_2$

Fig. 2: Type 2422/2424 Pressure Reducing Valve

**Table 1: Technical data · All pressures (gauge)**

<b>Type 2422 Valve</b>				
<b>Valve size</b>		<b>NPS 6 · DN 150</b>	<b>NPS 8 · DN 200</b>	<b>NPS 10 · DN 250</b>
Pressure rating		Class 125, 150 or 300		
Max. permissible temperature	Valve body	Pressure-temperature diagram ▶ T 2500		
	Valve balanced by a bellows	Metal seal: 660 °F (350 °C) · PTFE soft seal: 430 °F (220 °C) · EPDM or FPM (FKM) soft seal: 300 °F (150 °C) · NBR soft seal: 175 °F (80 °C) <sup>1)</sup>		
	Valve balanced by a diaphragm	300 °F (150 °C)		
Leakage class according to ANSI/FCI 70-2 or IEC 60534-4		≤ 0.05 % of C <sub>v</sub> or K <sub>vS</sub> coefficient		
<b>Type 2424 Actuator</b>				
Set point ranges		0.75 to 3.5 psi · 1.5 to 8.5 psi · 3 to 15 psi · 7 to 20 psi · 15 to 35 psi <sup>2)</sup>		
		0.05 to 0.25 bar · 0.1 to 0.6 bar · 0.2 to 1 bar · 0.5 to 1.5 bar · 1 to 2.5 bar <sup>2)</sup>		
Max. permissible pressure at actuator	Effective diaphragm area	50 in <sup>2</sup> · 320 cm <sup>2</sup>		100 in <sup>2</sup> · 640 cm <sup>2</sup>
	Pressure	43.5 psi · 3 bar		22 psi · 1.5 bar
Max. permissible temperature		Gases 350 °C, however, max. 175 °F (80 °C) at the actuator <sup>1)</sup> · Liquids 300 °F (150 °C), with condensation chamber max. 660 °F (350 °C) · Steam with condensation chamber max. 660 °F (350 °C)		

<sup>1)</sup> For oxygen max. 140 °F (60 °C)

<sup>2)</sup> Set point ranges above 35 psi (2.5 bar) as special version ▶ T 2554 · Type 2333 Pressure Reducing Valve

**Table 2: Materials · Material numbers according to ASTM and DIN EN**

<b>Type 2422 Valve, balanced by a bellows</b>			
<b>Pressure rating</b>	<b>Class 125</b>	<b>Class 150/300</b>	
Body	Cast iron A126B	Cast steel A216 WCC	Cast stainless steel A351 CF8M
Seat	1.4006		1.4404
Plug	1.4404		1.4404 with PTFE seal
	Seal ring for soft-seated plug	PTFE · EPDM · FPM (FKM) · NBR	
Plug stem	1.4301		
Balancing bellows	1.4571		
Bottom section	1.0305		1.4571
Seal	Graphite on metal core		
<b>Type 2422 Valve, balanced by a diaphragm</b>			
<b>Pressure rating</b>	<b>Class 125</b>	<b>Class 150/300</b>	
Body	Cast iron A126B	Cast steel A216 WCC	Cast stainless steel A351 CF8M
Seat	Red brass <sup>1)</sup>		
Plug (standard version)	Red brass <sup>1)</sup> · With EPDM soft seal or with PTFE soft seal		
Pressure balancing	Balancing cases made of sheet steel DD11 · EPDM balancing diaphragm for liquids and non-flammable gases or NBR diaphragm for non-flammable gases		
Gasket	Graphite on metal core		
<b>Type 2424 Actuator</b>			
Diaphragm cases	Sheet steel DD11		1.4301
Diaphragm	EPDM with fabric reinforcement · FPM (FKM) · NBR		
Guide bushing	DU bushing		PTFE
Seals	EPDM · FPM (FKM) · NBR		

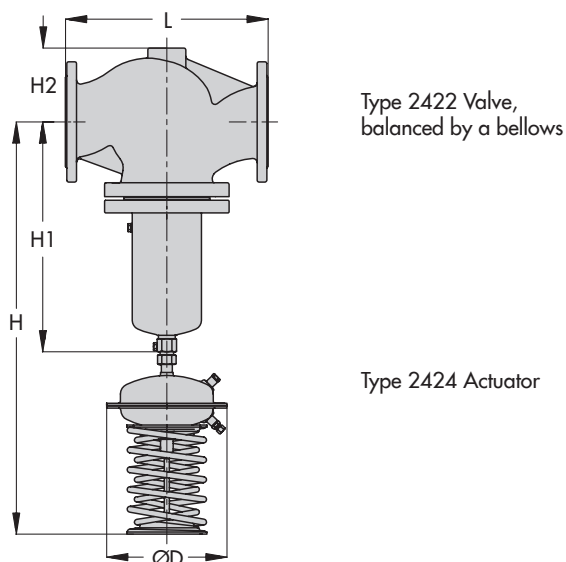
<sup>1)</sup> Special version: 1.4409

## Dimensions · Valve balanced by a bellows

**Dimensions and weights** · Type 2422 Valve balanced by a bellows · The values in parentheses apply to temperatures from 430 °F (220 °C) to 660 °F (350 °C)

Pressure rating					
Valve size		NPS 6 · DN 150	NPS 8 · DN 200	NPS 10 · DN 250	
Valve	Length L	Class 125/150	17.75" · 451 mm	21.4" · 543 mm	26.5" · 673 mm
		Class 300	18.6" · 473 mm	22.4" · 568 mm	27.9" · 708 mm
	Height H1	23.2" · 590 mm (28.4" · 730 mm)	28.7" · 730 mm (34.25" · 870 mm)		
	Height H2, approx.	6.9" · 175 mm	10.7" · 270 mm		
Set point range	Valve with actuator				
0.75 to 3.5 psi 0.05 to 0.25 bar	Height H	44.1" · 1120 mm (49.6" · 1260 mm)	49.6" · 1260 mm (55.1" · 1400 mm)		
	Actuator	ØD = 15" · 380 mm, A = 100 in <sup>2</sup> · 640 cm <sup>2</sup>			
1.5 to 8.5 psi 0.1 to 0.6 bar	Height H	44.1" · 1120 mm (49.6" · 1260 mm)	49.6" · 1260 mm (55.1" · 1400 mm)		
	Actuator	ØD = 15" · 380 mm, A = 100 in <sup>2</sup> · 640 cm <sup>2</sup>			
3 to 15 psi 0.2 to 1.0 bar	Height H	44.1" · 1120 mm (49.6" · 1260 mm)	49.6" · 1260 mm (55.1" · 1400 mm)		
	Actuator	ØD = 15" · 380 mm, A = 100 in <sup>2</sup> · 640 cm <sup>2</sup>			
7 to 20 psi 0.5 to 1.5 bar	Height H	40.9" · 1040 mm (46.4" · 1180 mm)	46.4" · 1180 mm (52" · 1320 mm)		
	Actuator	ØD = 11.2" · 285 mm, A = 50 in <sup>2</sup> · 320 cm <sup>2</sup>			
15 to 35 psi 1 to 2.5 bar	Height H	40.9" · 1040 mm (46.4" · 1180 mm)	46.4" · 1180 mm (52" · 1320 mm)		
	Actuator	ØD = 11.2" · 285 mm, A = 50 in <sup>2</sup> · 320 cm <sup>2</sup>			
Weight					
		311 lb · 141 kg	619 lb · 281 kg	740 lb · 336 kg	

<sup>1)</sup> The weight applies to the version with the material specifications A216B/Class 125. Add 10 % for other materials.

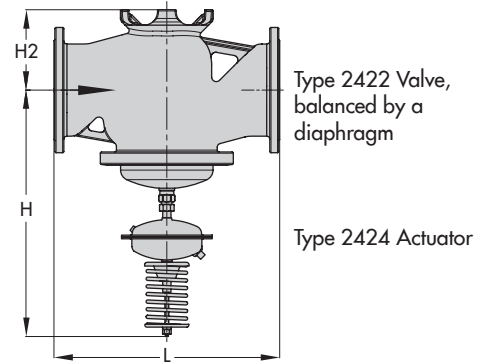


**Fig. 3:** Dimension diagram · Type 2422/2424, valve balanced by a bellows

## Dimensions · Valve balanced by a diaphragm

Dimensions and weights · Type 2422 Valve balanced by a diaphragm

Valve size		NPS 6 DN 150	NPS 8 DN 200	NPS 10 DN 250
Length L	Class 125/150	17.75" 451 mm	21.4" 543 mm	26.5" 673 mm
	Class 300	18.6" 473 mm	22.4" 568 mm	27.9" 708 mm
Height H, approx.		33.1" 840 mm	35.9" 910 mm	
Height H2, approx.		6.9" 175 mm	10.2" 260 mm	
Weight <sup>1)</sup>		220 lb 100 kg	534 lb 243 kg	580 lb 263 kg



<sup>1)</sup> The weight applies to the version with the material specifications A216B/Class 125. Add 10 % for other materials.

Fig. 4: Dimension drawing · Type 2422/2424, valve balanced by a diaphragm

Table 3:  $C_v$  ( $K_{VS}$ ) coefficients and max. permissible differential pressures  $\Delta p_{max}$

Type 2422 Valve, balanced by a bellows							
C <sub>v</sub> ( $K_{VS}$ ) coefficients and max. permissible differential pressures $\Delta p_{max}$							
		C <sub>v</sub> ( $K_{VS}$ ) coefficients · Differential pressures			Reduced C <sub>v</sub> ( $K_{VS}$ ) coefficients · Differential pressures		
Valve size		NPS 6 · DN 150	NPS 8 · DN 200	NPS 10 · DN 250	NPS 6 · DN 150	NPS 8 · DN 200	NPS 10 · DN 250
Standard C <sub>v</sub> ( $K_{VS}$ ) coefficients	C <sub>v</sub>	330	490	585	145	330	330
	K <sub>VS</sub>	280	420	500	125	280	280
Flow divider St I	C <sub>vI</sub>	245	370	440	110	245	245
	K <sub>VS I</sub>	210	315	375	95	210	210
Flow divider St III	C <sub>v III</sub>	165	230	260	70	165	165
	K <sub>VS III</sub>	140	200	220	60	140	140
Max. perm. differential pressure $\Delta p_{max}$	psi	175	145	145	230	175	175
	bar	12	10	10	16	12	12

Type 2422 Valve, balanced by a diaphragm				
C <sub>v</sub> ( $K_{VS}$ ) coefficients and max. permissible differential pressures $\Delta p_{max}$				
Valve size		NPS 6 · DN 150	NPS 8 · DN 200	NPS 10 · DN 250
C <sub>v</sub> / $K_{VS}$ coefficients	C <sub>v</sub>	445	760	930
	K <sub>VS</sub>	380	650	800
Max. perm. differential pressure $\Delta p_{max}$	psi	175 psi	145 psi	
	bar	12 bar	10 bar	

## Installation

- Install valves (balanced by a bellows or diaphragm) with the actuator suspended downward.
- Install pipelines horizontally with a slight downward slope on both sides of the valve to prevent condensed water from collecting.
- Direction of flow must match the direction indicated by the arrow on the body.
- Connect a control line to the actuator from the point of pressure tapping in the pipeline located approx. 39" (1 m) downstream of the valve or at the point of measurement of the connected plant (with condensation chamber, if necessary).



## Accessories

- Screw joints with restriction for connection of the control line e.g. for 1/4" or 1/2" (6 or 12 mm) pipe. The control line must be provided on site.
- Only applicable to valves balanced by a bellows: Condensation chamber for condensation and to protect the operating diaphragm against extreme temperatures. This chamber is necessary for steam and liquids above 300 °F (150 °C).

For detailed information on accessories, refer to Data Sheet  
▶ T 2595.

## Ordering text

**Type 2422/2424** Pressure Reducing Valve

Valve balanced by a bellows or diaphragm

NPS (DN) ..., body material ..., Class ...

$C_V$  ( $K_{VS}$ ) coefficient ..., set point range ... psi (bar)

Optionally, special version ...

Optionally, accessories ...

Specifications subject to change without notice



SAMSON AG · MESS- UND REGELTECHNIK  
Weismüllerstraße 3 · 60314 Frankfurt am Main, Germany  
Phone: +49 69 4009-0 · Fax: +49 69 4009-1507  
Internet: <http://www.samson.de>

**T 2548 EN**

2016-05-30