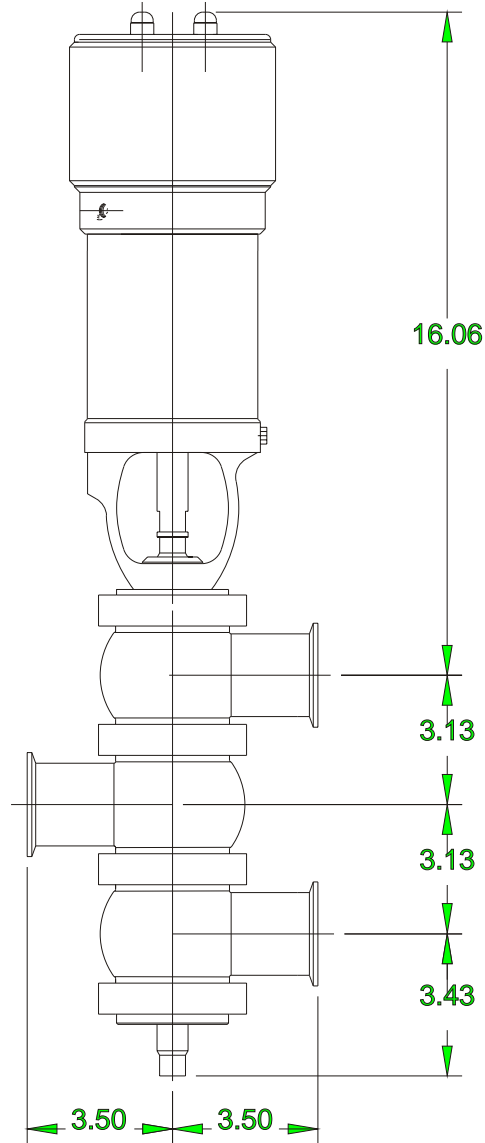


DRAWING AT FULL SCALE, PLOT AT 0.2500=1!!!



65TTMP

W65TTT 2" MP W/ CONTROL TOP

316L SS

1 1

SB

10/7/97

A