



Cert. No. LRQ 0963008

ISO 9001

## EL5060 and EL5061 Series Electric Actuators (Spring Reserve)

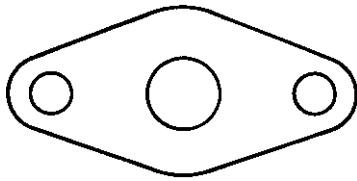
### Description

The EL5060 and EL5061 series actuators are reversible actuators having a linear output with power fail, spindle extend. These actuators are suitable for either two position or modulating control dependent on the controller or other switching device providing the input signal. These actuators can be used with the following valves:

**2-port** KE31, KE33, KE43, KE71, KE73 and R63, RB33, RB43, RB63, RB73

**3-port** Q33, Q43, Q73, QB33, QB43 and QB73

**Note:** Fixing kit EL3806 is required when using DN15 to DN50 KE type valves.



**EL3806 fixing kit**  
(For use with with DN15 to DN50 KE valves)

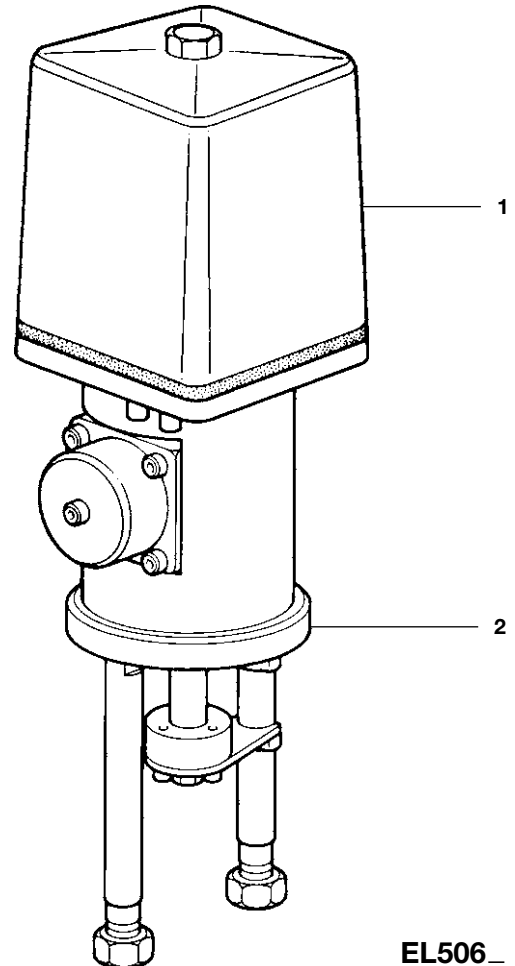
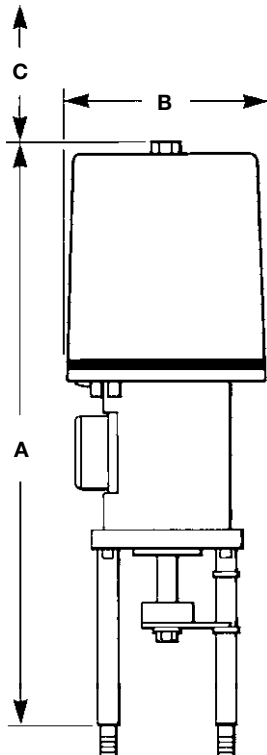
### Available types

Actuator operation	Actuator type
Spring reserve 220/240 Vac	EL5060
Spring reserve 24 Vac	EL5061

110 V version available on request.

### Dimensions / weights (approximate) in mm and kg

Model	A	B	C	Weight
EL506_	445	162	170	8.7



EL506\_

### Materials

No.	Part	Material
1	Case	Polycarbonate
2	Housing	Steel

### Technical data

Model	EL506-
Supply voltage	220/240 Vac + 20% - 10% or 24 Vac ± 10%
Supply frequency	50 Hz
Power consumption	6.8 W (run) 15 W (hold)
Enclosure rating	IP54
Actuator speed (mm/s)	0.29 Under power
Ambient limits	0-50°C
Reseat time	8.530 mm stroke
at no voltage (seconds)	5.5                      20 mm stroke
Motor	Split phase capacitor reversing
Terminations (accept)	1 x 4 mm <sup>2</sup> cable
Transfer switching	5 A, 250 Vac (2 switches)
Conduit entries	4 x Pg11 connections with plastic covers

## How to select

EL5000 Series	Valve type	Valve material and PN rating	Actuator voltage ac/50 Hz	Actuator speed mm/s	Valve sizes and differential pressures ( $\Delta p$ ) bar											
					Size DN		15	20	25	32	40	50	65	80	100	
					Stroke mm		20						30			
					Kvs value		0.4	1.0	6.3	10	16	25†	36	63	100	160
					1.6	4.0										
<b>Spring return</b>	2-port	CI PN16	220/240	0.29												
<b>EL5060</b>		CS PN40														
<b>EL5061</b>		SS PN40	24	0.29												
<b>EL5060</b>	3-port	CI PN16	220/240	0.29												
<b>EL5061</b>		CS PN40	24	0.29												

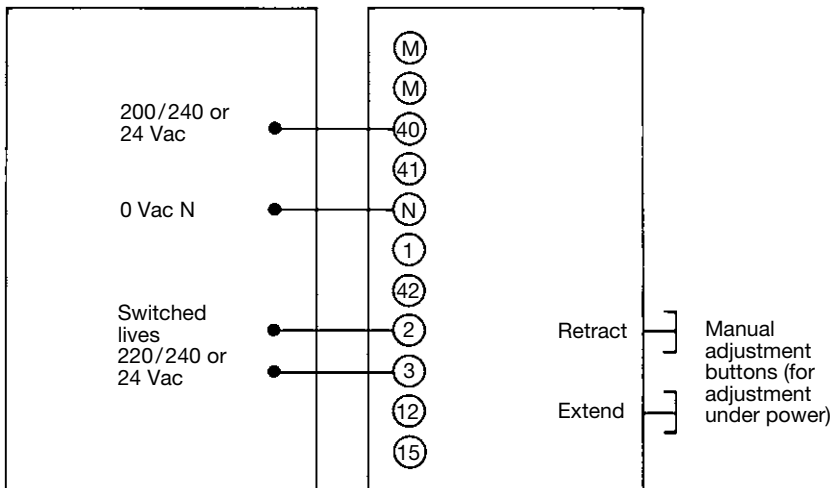
† Note: K<sub>vs</sub> value of 6.3, 10 and 16 available on demand for DN40 valves.

## Selection example

Control valve:	DN20 KE43 2-port valve
Max $\Delta p$ :	12 bar
Electrical supply:	240 Vac
Actuator selected:	EL5060
	EL3806 linkage

## Wiring diagram

for power fail return actuators: EL5060 and EL5061



## Installation and wiring

The actuator should preferably be mounted above the valve, but in any case should not be mounted below it. Ensure the actuator is coupled to the valve before power is applied and wiring meets local regulations.

## How to order

**Example:** 1 off Spirax Sarco EL5060 spring reserve electric actuator.