

Fiber Optic Lights with Sanitary Sight Windows Provide Viewing and Lighting Through a Single Port

Data Sheet 02-0190 01/12



A powerful yet compact illumination system for sanitary processing equipment provides up to 150 Watts of adjustable illumination while allowing viewing through the same window. These unique combination units incorporate the L.J. Star MetaClamp® system with Metaglas® safety windows. They can be used to view the interior of either new or existing sanitary processing equipment.

The illumination modules can also be used separately, mounted on any existing view port or other L.J. Star sight windows, providing adjustable illumination where limited space or connections make the use of conventional luminaires difficult.

Metaglas safety windows with a MetaClamp mounting provide the strongest and most secure sanitary viewing option available. Essentially immune to catastrophic failure, these windows have also been consistently tested leak-tight at pressures and vacuums far beyond design ratings. Metaglas windows are comprised of stainless steel and borosilicate glass, fused together to create a window so uniformly compressed it tolerates both extreme pressure and temperature, serving reliably for years in applications where conventional windows fail repeatedly. MetaClamp mountings are available in sanitary clamp sizes for 1/2 inch to 12 inches.

This fiber optic illumination system is a compact, easily adaptable unit. The fiber optic bundle is available in lengths up to 30 feet with either PVC or stainless steel sheathings. An optional multi-bundle adapter allows more than one fiber optic bundle to be used with a single illumination source. Other options include an IR filter for cool light output and a NEMA 4X illuminator enclosure.

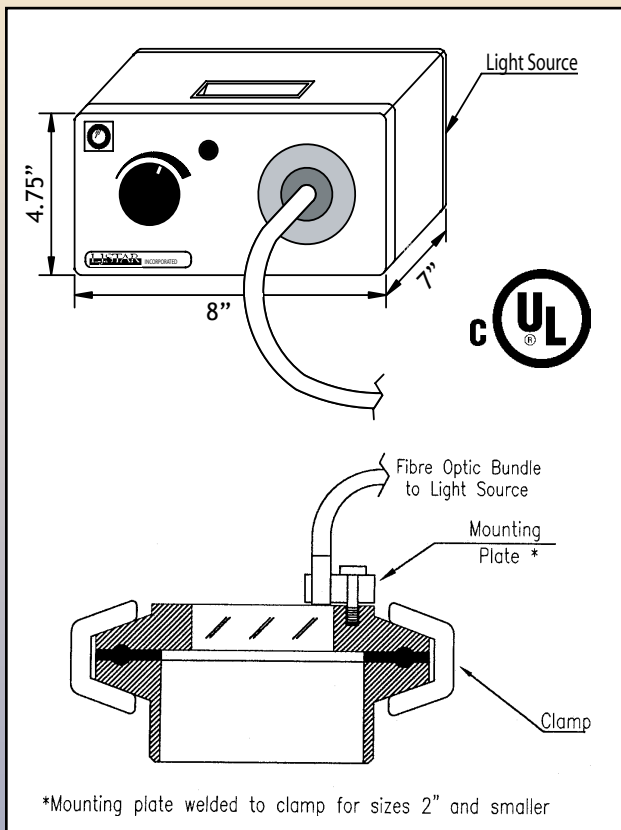
For additional information and applications assistance contact:

L.J. Star Incorporated,

P.O. Box 1116, Twinsburg, OH 44087

Phone: (330) 405-3040 • Fax: (330) 405-3070

Web Page: www.ljstar.com • e-mail: view@ljstar.com



L.J. STAR
INCORPORATED