

**Lumiglas Explosion-Proof Light
Model USL 08-EX
UL 844 Listed Class I,
Div. 1&2, Groups C&D
For fitting to sight/light ports and
specific area lighting
Approved for wet conditions (UL 1571)**

Application

This powerful light can be used for combination light/sight port (single port version) or separate light and sight port (dual port version) and also to illuminate the internals of visual flow indicators, pipelines, systems mixers and other vessels and reactors which are normally closed.

The USL 08-EX is excellent for specific area lighting such as instruments, control panels, valve manifolds, walkways, etc. These sturdy lights are constructed of corrosion-resistant aluminum alloy and are moisture-proof as well as explosion-proof (hazardous locations) so they are equally well suited for use in demanding installations indoors and out. Both spot and flood lamp configurations are available for particular applications.

Sight Glass Styles

This light is designed to give glare-free illumination in combination with the following sight glass styles:

- bolt-on circular flanges
- circular weld pad
- visual flow indicators (standard or full-view)
- sanitary clamp connection larger than 3"
- circular threaded assemblies (type MV) larger than 4"
- specific area lighting

Protection

UL 844 listed for Class I, Div 1 & 2, Groups C&D.
Approved for wet conditions, UL 1571

Temperature Operating Conditions

Temperature range (operating temperature) is referenced to 40°C ambient.

Lamp

Medium base 35W Spot, 35W Flood, 50W Spot & 50W Flood with built-in reflector, or 100W Spot halogen lamp with bayonet base and separate reflector. See Table 1 for part number.

Lamp Socket

E26 screwed and BA 15d Bayonet depending on wattage.

Mounting Brackets

Straight mounting brackets are for use on single sight ports from 3" to 6". Angle (offset) brackets are available for 6" and larger for single light/sight port combinations. Brackets are adaptable to various types of mounting configurations for area lighting.



Lumiglas USL 08-EX mounted on a circular sight port DN 28120



Lumiglas USL 08-EX with sanitary clamp connection

USL 08-EX Installation Instructions

General (See detailed instruction manual)

The light is typically bolted by twin brackets to the sight glass assembly, i.e. to the cover flange of a bolt-on circular sight glass, circular weld-on assembly (type DN28120), visual flow indicator, or mounted for area illumination.

The Lumiglas USL 08-EX can be used for the following sight glass sizes and larger:

- Bolt-on circular sight window, 2"
- Circular weld-on sight window, 3"
- Visual flow indicator, 2"
- Weld-neck type MV, DN80

Also available are sanitary clamp connections for sizes 1" and larger which use the Metaglas® MetaClamp® technology

Electrical Connection Installation

1. Disconnect main power supply
2. Remove side entrance cover
3. Attach power leads to terminal block
4. Replace cover insuring gasket (o-ring) is in place. Tighten.
5. Connect power

Connections to be in accordance with National Electric Code® Requirements

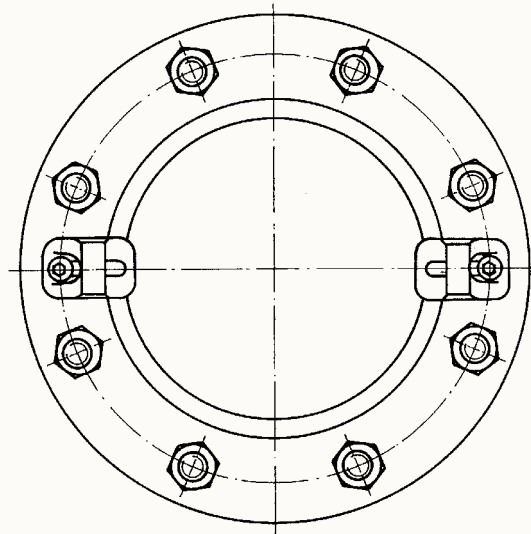
Lamp Replacement

1. Switch off the light and disconnect power
2. Remove top cover
3. Loosen socket bracket. Removal of the screw is not necessary
4. Remove lamp socket bracket assembly
5. Replace bulb. Use only approved bulb (table 1)
6. Replace lamp socket bracket assembly
7. Tighten bracket screw
8. Reinstall top cover insuring cover gasket (o-ring) is in place. Tighten.
9. Connect power supply

Parts, Construction and Materials:

- Luminaire body: Corrosion resistant die cast aluminum, G-Al Si 10 Mg
- Lens Holder: Unit of aluminum ring, glass
- Brackets: Die cast Aluminum, G-Al Si 10 Mg
- Weight: 7 lb. (3.2 Kg)
- Gaskets: Silicone rubber o-rings

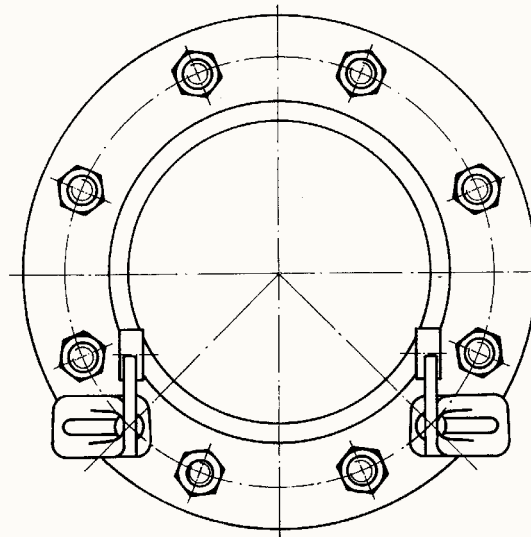
Mounting Configuration for 3" - 6" Sight Ports
Straight Brackets



Single Sight Port Light Only

Lumiglas USL 08-EX light port installation on hinged bracket (straight). Suitable for 3" - 6" sizes. Separate view port must be used.

Mounting Configuration for 6" and larger Sight Ports
Angle (offset) Brackets



Combination View / Light Single Sight Port

Lumiglas USL 08-EX installation on a combined light/sight port.

Dimensions and Connection Data for USL 08-EX

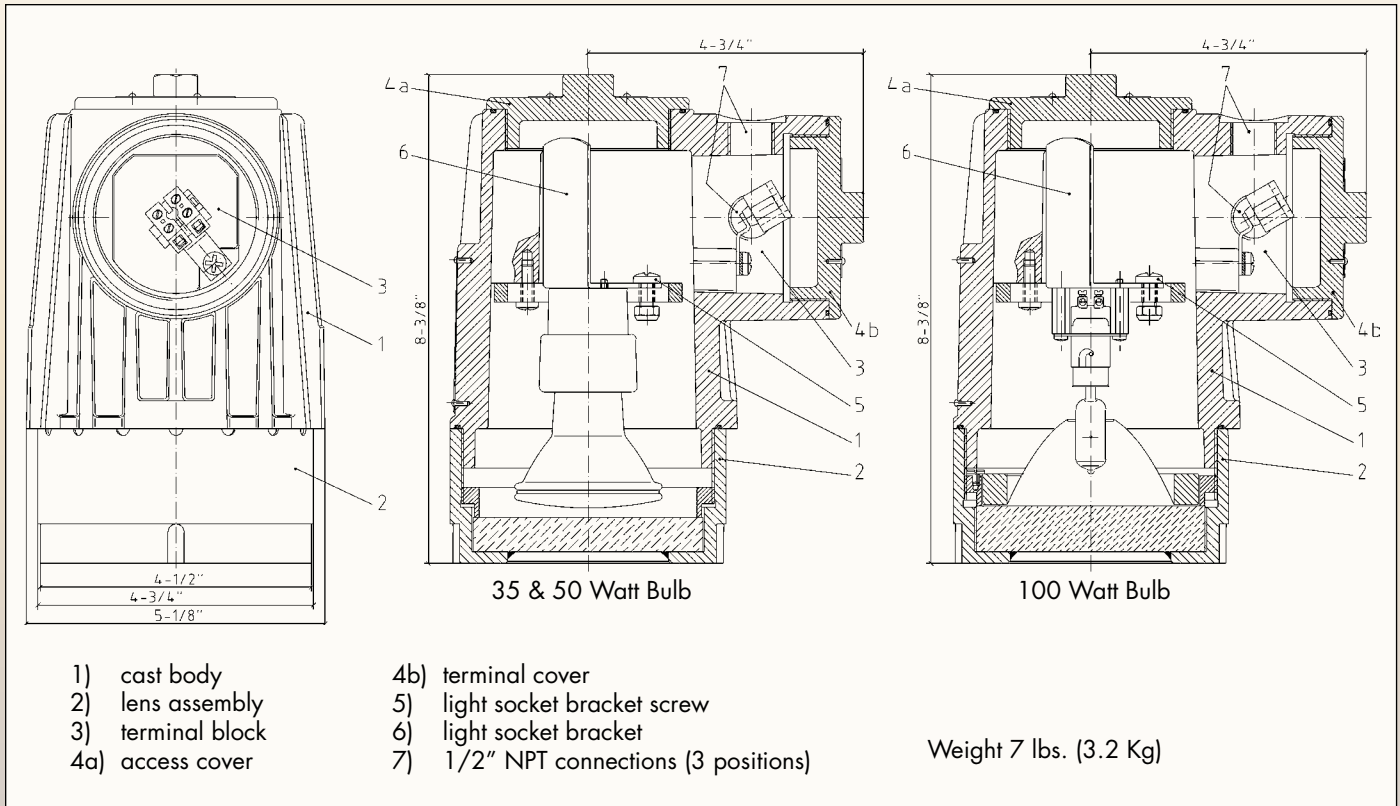


TABLE 1

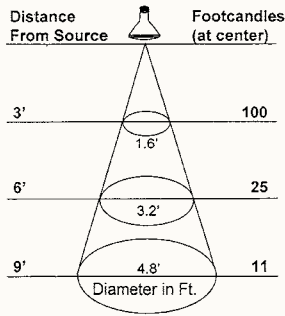
USL 08-EX	Bracket Type	Part No. Complete Unit	Volts	Socket	Part No. Bulb	Temperature Class for max. Ambient Temp. 40° C
120 V/35 W Spot	Straight	08E0-B3DNBNNN	120	E26	BLB N35 E26S	T4A
120 V/35 W Spot	Angle	08E0-B3DNCNNN	120	E26	BLB N35 E26S	T4A
120 V/35 W Flood	Straight	08E0-B3ENBNNN	120	E26	BLB N35 E26F	T4A
120 V/35 W Flood	Angle	08E0-B3ENCNNN	120	E26	BLB N35 E26F	T4A
120 V/50 W Spot	Straight	08E0-B3FNBNNN	120	E26	BLB N50 E26S	T3B
120 V/50 W Spot	Angle	08E0-B3FNCNNN	120	E26	BLB N50 E26S	T3B
120 V/50 W Flood	Straight	08E0-B3GNBNNN	120	E26	BLB N50 E26F	T3B
120 V/50 W Flood	Angle	08E0-B3GNCNNN	120	E26	BLB N50 E26F	T3B
120 V/100 W Spot	Straight	08E0-B3JNBNNN	120	BA 15d	BLB N100 BA15D	T3B
120 V/100 W Spot	Angle	08E0-B3JNCNNN	120	BA 15d	BLB N100 BA15D	T3B

Mounting Brackets (Aluminum)
 Straight - Part # BRK EX08 S
 Angle - Part # BRK EX08 A
 Mounting Bracket and bulb type must be specified when ordering.

Approximate Light Distributions

CBCP: 900 cp
Beam Spread: 30°

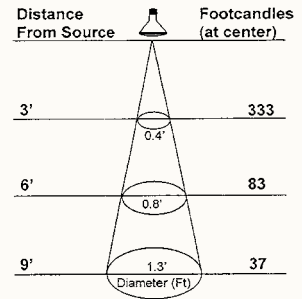
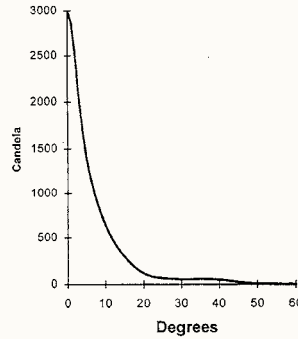
Avg. Rated Life: 2500 hours
Light Output: 400 lumens



35 WATT FLOOD

CBCP: 3000 cp
Beam Spread: 8°

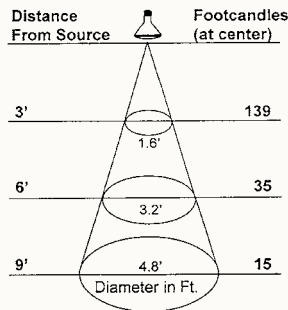
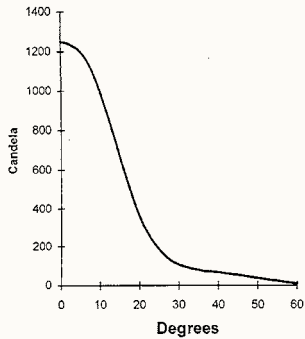
Avg. Rated Life: 2500 hours
Light Output: 400 lumens



35 WATT SPOT

CBCP: 1250 cp
Beam Spread: 30°

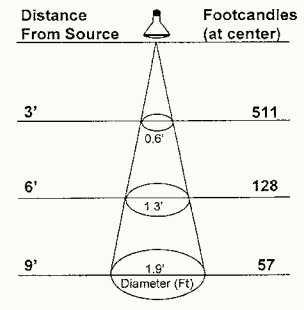
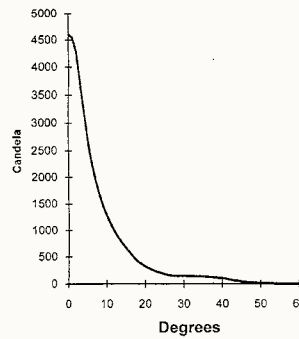
Avg. Rated Life: 2500 hours
Light Output: 525 lumens



50 WATT FLOOD

CBCP: 4600 cp
Beam Spread: 12°

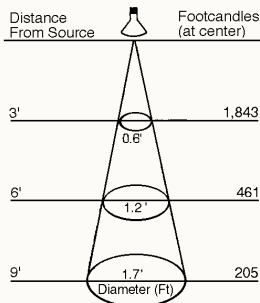
Avg. Rated Life: 2500 hours
Light Output: 525 lumens



50 WATT SPOT

CBCP:
Beam Spread: 10°

Avg. Rated Life: 1,000 hours
Light Output: 1900 lumens



100 WATT SPOT



Manufactured by
F. H. Papenmeier GmbH & Co. KG
PO BOX 16 20, D-58211
Schwerte, Germany

Exclusively Stocked and Distributed by

