

## Type 1259 Process Pressure Gauge



- **Solid front safety case**
- **Accuracy complies with ASME B40.1 Grade 2A ( $\pm 0.5\%$  of span)**
- **As-welded Bourdon tube for safety and longer life**
- **Micrometer adjustable pointer.**
- **Adjustable movement**
- **Ranges: vac to 20,000 psi**
- **Date coded socket to ensure pedigree**
- **Wetted part material printed on dial**
- **Liquid filled case option (Code L)**

The Type 1259 process gauge is offered with an as-welded Bourdon tube to ensure safety and a long life. Meeting ASME B40.1, the Type 1259 process gauge has been engineered to meet marketplace requirements.

TEMPERATURE LIMITS			
	Ambient	Process	Storage
Dry	-20/200°F (-29/93°C)	-20/250°F (-29/121°C)	-40/250°F (-40/121°C)
LF (glycerin)	20/150°F (7/66°C)	20/200°F (7/93°C)	0/150°F (-18/66°C)

**Note:** Other than discoloration of the dial and hardening of the gasketing that may occur as ambient or process temperatures exceeds 150°F, non-liquid-filled gauges with standard glass windows, can withstand continuous operating temperatures up to 250°F (121°C). Liquid-filled gauges can withstand 200°F (93°C) but glycerin fill and acrylic window will tend to yellow. Accuracy at temperatures above or below the reference ambient temperature of 68°F (20°C) will be affected by approximately .4% per 25°F. Gauges with welded joints will withstand 750°F (450°F (232°C) with silver brazed joints) for short times without rupture, although other parts of the gauge will be destroyed and calibration will be lost. For continuous use and for process or ambient temperatures above 250°F (121°C), a diaphragm seal or capillary or siphon is recommended.

### PRODUCT SPECIFICATIONS

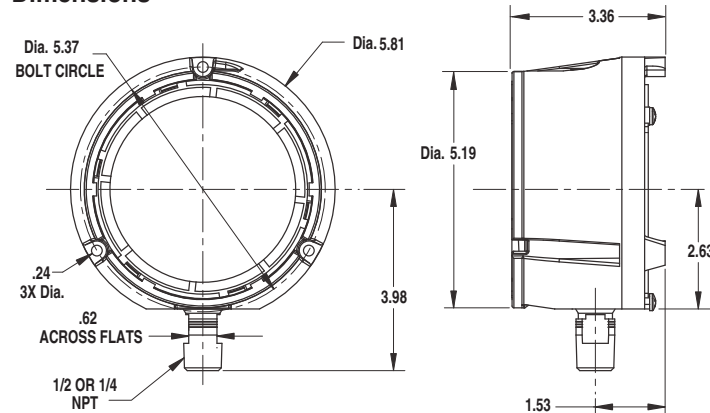
<b>Model Number:</b>	1259
<b>Accuracy:</b>	½% full scale (Grade 2A, ASME B40.100)
<b>Ranges:</b>	Vacuum – 20,000 psi
<b>Ring Type:</b>	Cam lock, fiberglass reinforced thermoplastic
<b>Dial Size:</b>	4½" diameter
<b>Case:</b>	Solid front safety
<b>Case Material:</b>	Fiberglass reinforced thermoplastic
<b>Weather Protection:</b>	Dry Case: IP54 Liquid filled or hermetically sealed case: IP 65
<b>Window:</b>	Glass
<b>Dial:</b>	Aluminum, white background, black pressure scale.
<b>Pointer:</b>	Micrometer adjustable
<b>Movement:</b>	Adjustable 300 series ss
<b>Bourdon Tube &amp; Socket:</b>	316L SS/316L SS (S) <sup>(1)</sup> K Monel/Monel (P) <sup>(1)</sup>
<b>Conn. Size:</b>	¼, ½ NPT
<b>Conn. Location:</b>	Lower
<b>Weight (Lbs.)</b>	2.5 (Dry) 3.5 (Liquid Filled)

### PRODUCT OPTIONS

<b>Fill:</b>	Glycerin
<b>Hermetic Seal:</b>	XLJ
<b>Flush Mounting Ring:</b>	X56, X57
<b>Shatter Proof Glass Window:</b>	XSG
<b>Window Acrylic:</b>	XPD

<sup>(1)</sup> Joints welded

### Dimensions



## Type 1259 Process Pressure Gauge

PSI RANGES	
Pressure – psi	
Range	
0/15	
0/30	
0/60	
0/100	
0/160	
0/200	
0/300	
0/400	
0/600	
0/800	
0/1000	
0/1500	
0/2000	
0/3000	
0/4000	
0/6000	
0/10,000	
0/20,000	
Vacuum	
30/0 in.Hg	34/0 ftH <sub>2</sub> O
Compound	
30 <sup>1</sup> Hg/15 psi	30 <sup>1</sup> Hg/30 psi
30 <sup>1</sup> Hg/60 psi	30 <sup>1</sup> Hg/100 psi
30 <sup>1</sup> Hg/150 psi	30 <sup>1</sup> Hg/300 psi

METRIC RANGES		
Pressure – kg/cm <sup>2</sup> and bar		
Range	(Outer Scale)	psi
0/1	0/14	
0/1.6	0/22	
0/2.5	0/35	
0/4	0/55	
0/6	0/85	
0/10	0/140	
0/16	0/220	
0/25	0/350	
0/40	0/550	
0/60	0/850	
0/100	1400	
0/160	2200	
0/250	3500	
0/400	5500	
0/600	8500	
0/1000	14,000	
0/1600	22,000	
Vacuum	Outer Scale	
-1/0	30 <sup>1</sup> Hg	
Compound		
-1/0/1.5	30 <sup>1</sup> Hg/20	
-1/0/3	30 <sup>1</sup> Hg/40	
-1/0/5	30 <sup>1</sup> Hg/70	
-1/0/9	30 <sup>1</sup> Hg/125	
-1/0/15	30 <sup>1</sup> Hg/215	
-1/0/24	30 <sup>1</sup> Hg/340	

METRIC RANGES			
Pressure – kPa		Pressure – mPa	
Range	(Outer Scale)	Range	(Outer Scale)
0/100	0/14	0/0.1	0/14
0/160	0/22	0/0.16	0/22
0/250	0/35	0/0.25	0/35
0/400	0/55	0/0.4	0/55
0/600	0/85	0/0.6	0/85
0/1000	0/140	0/1	0/140
0/1600	0/220	0/1.6	0/220
0/2500	0/350	0/2.5	0/350
0/4000	0/550	0/4	0/550
0/6000	0/850	0/6	0/850
Vacuum	Outer Scale	Vacuum	Outer Scale
0/10,000	1400	-0.1/0	30 <sup>1</sup> Hg
0/16,000	2200	Compound	
0/25,000	3500	-0.1/0/0.15	30 <sup>1</sup> Hg/20
0/40,000	5500	-0.1/0/0.3	30 <sup>1</sup> Hg/40
0/60,000	8500	-0.1/0/0.5	30 <sup>1</sup> Hg/70
0/100,000	14,000	-0.1/0/0.9	30 <sup>1</sup> Hg/125
0/160,000	22,000	-0.1/0/1.5	30 <sup>1</sup> Hg/215
Vacuum	Outer Scale	-0.1/0/2.4	30 <sup>1</sup> Hg/340
-100/0	30 <sup>1</sup> Hg		
Compound			
-100/0/150	30 <sup>1</sup> Hg/20		
-100/0/300	30 <sup>1</sup> Hg/40		
-100/0/500	30 <sup>1</sup> Hg/70		
-100/0/900	30 <sup>1</sup> Hg/125		
-100/0/1500	30 <sup>1</sup> Hg/215		
-100/0/2400	30 <sup>1</sup> Hg/340		

### Order Coding Example

45	1259	S	D	04	L	OPTIONAL X VARIATIONS	100	#
----	------	---	---	----	---	-----------------------	-----	---

SIZE	TYPE	SYSTEM (TUBE & SOCKET)	CASE DESIGN SOLID FRONT	PROCESS CONNECTION SIZE	CONNECTION LOCATION	OPTIONS (X VARIATIONS) <sup>(1)</sup>	RANGE	ENGINEERING UNITS
(45) 4½	1259	(S) 316L <sup>(2)</sup> (P) K-Monel 500 tube, Monel 400 socket <sup>(2)</sup>  <sup>(2)</sup> Max pressure 30,000psi	(D) Dry (IP54) (L) Liquid filled (glycerin standard) (IP65)	(02) 1/4 NPT male (04) 1/2 NPT male	(L) Lower	(LJ) Hermetically Sealed, IP65 (NH) St. St. Wired Tag (PD) Acrylic window (SG) Safety glass (56) Flush mounting ring  <sup>(1)</sup> Others on request	See above	(#) PSI (BR) Bar (KG) Kilograms/CM2 (KP) Kilopascal (IMV) Inches of Mercury Vacuum