



MODEL PBE-L

MODEL PBE-L PRESSURE BUILD ECONOMIZER REGULATOR

The Model PBE-L has a compact, forged body and functions in a dual role as a pressure building regulator and as an economizer relief regulator in one model. The pressure build feature controls the outlet pressure while the economizer feature operates to relieve any excess pressure in the system above set point from atmospheric to 600 psig (41.4 Barg).

FEATURES

The Economizing feature begins to open when outlet pressure exceeds the set point pressure 10 - 25 psig (.69 - 1.7 barg), depending on selection of range spring.

APPLICATIONS

Widely used for pressure control on liquefied gas storage tanks.



CAUTION

This is not a safety device and must not be substituted for a code approved pressure safety relief valve or a rupture disc.

STANDARD/GENERAL SPECIFICATIONS

Body Size:	1/2" (DN15) with FNPT connections. Inlet connection size is equal to outlet connection size.	Maximum Design Pressure:	600 psig (41.4 Barg).
Body Orientation:	<u>Globe</u> : Side inlet, side outlet.	Range Spring:	SST. See Table 3.
Body & Spring Chamber Mat'l:	Bronze - ASTM B283, C37700.	Cryogenic Construction:	Cleaned for oxygen service per Cashco Spec. #S-1134. Mount in horizontal piping with adjusting screw oriented downwards.
Body Cap:	ASTM B16, Alloy 360	Flow Capacities:	Max. Cv Comp. Diaph.: 1.5 Metal Diaph.: 1.0 For Capacities see Table 4.
Diaphragm:	Metal – 302 SST. Composition – Gylon. See Table 2.	Option-21:	<u>STRAINER</u> : Inlet filter to capture debris. When installed reduces capacity by approximately 40 %.
Seat:	TFE. See Table 2.	Option -31:	<u>BSPT END CONNECTIONS</u> . British Standard Tapered Pipe threads per ISO 7/1; used as an alternate to NPT ends.
Gasket:	TFE used with Metal Diaphragm		
Temperature Range:	-325 to +150°F (-198 to +66°C).		

TECHNICAL SPECIFICATIONS

TABLE 1 BODY/SPRING CHAMBER/BODY CAP MAX. PRESSURE - TEMPERATURE			
Pressure		Temperature	
psig	(barg)	°F	(°C)
600	(41.4)	-325 to +150	(-198 to +66)
Inlet & outlet have same Pressure vs. Temperature ratings.			

TABLE 2 TRIM MATERIAL COMBINATIONS		
Part	Trim Designation Number	
	B9S	B9G
Diaphragm	302 SST	Gylon
Diaphragm Gasket	TFE	--
Piston	Brass	
Seat Disc	TFE	
Piston Spring	17-7PH SST	
Piston Post	316 SST	
Pusher Plate	303 SST	
Pusher Plate Gasket	TFE	--

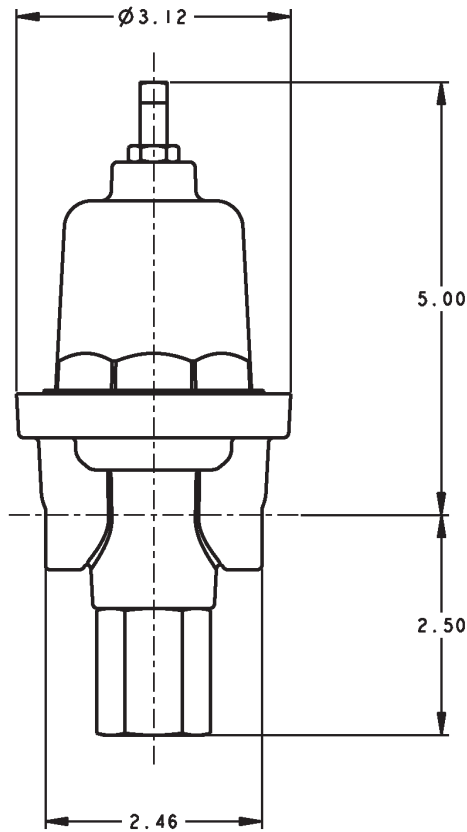
TABLE 3 RANGE SPRINGS / MAX. PRESSURE DROP			
Range Spring		Max Pressure Drop	
psig	barg	psid	bard
3-30	(.21-2.07)	125	(8.62)
30-50	(2.07-3.45)	175	(12.1)
50-80	(3.45-5.52)	375	(25.8)
80-150	(5.52-10.3)	600	(41.4)
150-250	(10.3-17.2)	600	(41.4)
250-360	(17.2-24.8)	600	(41.4)
350-600	(24.1-41.4)	600	(41.4)

TABLE 4 CAPACITY - Cv (F_v = 0.95)							
Setpoint (P ₁) Pressure		Metal Diaphragm			Composition Diaphragm		
		% Droop			% Droop		
psig	(Barg)	10%	20%	30%	10%	20%	30%
5	(0.3)	0.03	0.03	0.04	0.03	0.03	0.03
10	(0.7)	0.05	0.11	0.16	0.03	0.05	0.06
15	(1.0)	0.04	0.08	0.14	0.03	0.05	0.14
25	(1.7)	0.07	0.14	0.21	0.04	0.08	0.26
35	(2.4)	0.08	0.15	0.25	0.05	0.13	0.38
50	(3.4)	0.05	0.18	0.36	0.13	0.38	0.52
75	(5.2)	0.06	0.17	0.27	0.21	0.53	0.79
100	(6.9)	0.07	0.17	0.30	0.33	0.56	0.77
125	(8.6)	0.09	0.23	0.40	0.19	0.55	0.76
150	(10.3)	0.11	0.28	0.46	0.33	0.76	0.96
175	(12.1)	0.18	0.38	0.58	0.19	0.50	0.76
200	(13.8)	0.22	0.43	0.66	0.23	0.53	0.82
225	(15.5)	0.19	0.47	0.68	0.29	0.66	0.96
250	(17.2)	0.25	0.56	0.80	0.41	0.47	1.01
275	(19.0)	0.19	0.42	0.55	0.42	0.78	0.97
300	(20.7)	0.11	0.32	0.66	0.34	0.80	1.03
350	(24.1)	0.17	0.58	0.71	0.51	0.82	0.98
400	(27.6)	0.25	0.41	0.65	0.49	0.75	1.00
450	(31.0)	0.30	0.44	0.65	0.57	0.84	1.12
500	(34.5)	0.25	0.54	0.74	0.71	0.96	1.17
550	(37.9)	0.44	0.68	0.89	0.66	1.03	1.21

NOTES

The contents of this publication are presented for informational purposes only, and while every effort has been made to ensure their accuracy, they are not to be construed as warranties or guarantees, express or implied, regarding the products or services described herein or their use or applicability. We reserve the right to modify or improve the designs or specifications of such product at any time without notice. Cashco, Inc. does not assume responsibility for the selection, use or maintenance of any product. Responsibility for proper selection, use and maintenance of any Cashco, Inc. product remains solely with the purchaser.

DIMENSIONS & WEIGHT



Weight
3.5 lbs.

MODEL PBE-L PRODUCT CODER 03/11/16

An "X" in POS 12 followed by a 5-digit control number overrides remaining selections.

A5
4
-
3
POS
6 & 7
7
-
POS
10
POS
11
POS
12
0
0
0
0
0
A

POSITION 6 & 7 - TRIM DESIGNATION NO.	
Desig.	CODE
B9S	BS
B9G	BG

POSITION 10 - END CONNECTION	
Description	CODE
FNPT	1
-31 Opt. BSPT	B
BSPT - Screwed Tapered Pipe Thread	

POSITION 11 - RANGE SPRING		
psig	(Barg)	CODE
3 - 30	(.21 - 2.07)	K
30 - 50	(2.07 - 3.45)	L
50 - 80	(3.45 - 5.52)	M
80 - 150	(5.52 - 10.3)	N
150 - 250	(10.3 - 17.2)	P
250 - 360	(17.2 - 24.8)	S
350 - 600	(24.1 - 41.4)	T

POSITION 12 - OPTION		
Description	Option	CODE
None	---	0
Strainer	-21	F
For Special Construction Contact Cashco for Special Product Code.	SPQ	X

Cashco, Inc.
 P.O. Box 6
 Ellsworth, KS 67439-0006
 PH (785) 472-4461
 Fax. # (785) 472-3539
 www.cashco.com
 email: sales@cashco.com
 Printed in U.S.A. PBE-L-TB

Cashco GmbH
 Handwerkerstrasse 15
 15366 Hoppegarten, Germany
 PH +49 3342 4243135
 Fax. No. +49 3342 4243136
 www.cashco.com
 email: germany@cashco.com

Cashco do Brasil, Ltda.
 Al.Venus, 340
 Indaiatuba - Sao Paulo, Brazil
 PH +55 11 99677 7177
 Fax. No.
 www.cashco.com
 email: brazil@cashco.com