

MODEL 5200P Instrument Air Filter Regulator



Model 5200P

The Model 5200P Instrument Air Filter Regulator is designed to provide clean, accurate air pressure to instruments, valves, and other automatic control equipment. This filter regulator has been proven to provide accurate operating characteristics under variable conditions. Durable materials and a standard epoxy paint finish provide long lasting corrosion resistance in harsh industrial environments. The Model 5200P is a quality unit that is ideal as an economical alternative for control of process applications.

FEATURES

- **STABLE OUTPUT AND REPEATABILITY** – provides constant control under variable flow rates and supply pressures.
- **CORROSION-RESISTANT CONSTRUCTION** – aluminum die-castings are finished with irridite and baked epoxy paint.
- **DEPTH FILTER** – unit comes equipped with high capacity 5 micron filter housed in dripwell.
- **SELF RELIEVING**
- **LOW DROOP AT HIGH FLOW LEVELS** – Aspirator design helps maintain set pressure at higher flow levels.
- **TIGHT SHUTOFF** – a soft, rubberized valve provides a positive shutoff and compensates for dirt and other foreign matter.

APPLICATIONS

The Model 5200P is used extensively to supply air to pneumatic controllers, transmitters, transducers, valve positioners, air cylinders, and a wide range of pneumatic control systems.

SPECIFICATIONS

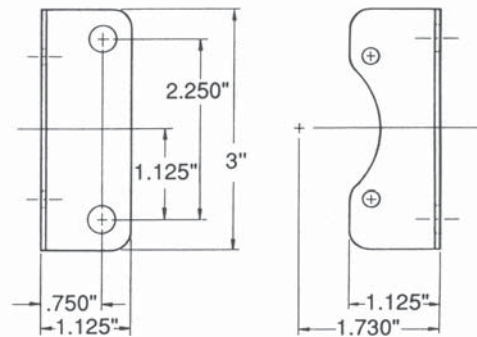
Connections:	1/4" NPT female, all ports.	Capacity:	22 SCFM (1320 SCFH) (37.37 m ³ /hr) with 100 psig (6.9 Barg) inlet and 20 psig (1.4 Barg) outlet.
Body & Spring Chamber:	Die-cast aluminum alloy.	Exhaust Capacity:	0.1 SCFM (6.0 Sm ³ /hr) (.17 m ³ /hr) with downstream pressure 5 psig (.34 Barg) above setpoint.
Additional Materials:	Brass, Zinc Plated Steel, Acetal.	Sensitivity:	1" (2.5 cm) of water.
Mounting:	Pipe or Through Body.	Air Consumption:	Less than 5 SCFH (.14 Sm ³ /hr) (.13 Nm ³ /hr).
Diaphragm:	Nitrile Elastomer and Nylon Fabric.	Effect of Supply Pressure Variation:	Less than .2 psig (.01 Barg) for 25 psi (1.7 Bar) change.
Valve Seat Plug:	Nitrile Elastomer.	Weight:	1.6 lbs. (725 g).
Filter:	5 Micron Phenolic Impregnated Cellulose	Option-2:	<u>HANDWHEEL</u> . Utilize when pressure setting changes are frequent.
Maximum Inlet:	250 psig (17.2 Barg).	Option-5:	<u>MOUNTING BRACKET</u> . Zinc-plated steel bracket for side mounting.
Adjustable Range Springs:	0– 30 psig (0–2.1 Barg). 0– 60 psig (0–4.1 Barg). 0–120 psig (0–8.3 Barg).		

PRINCIPLE OF OPERATION

Turning the adjusting screw changes the force exerted by the range spring on the diaphragm assembly. In equilibrium of set pressure, the force exerted by the range spring is balanced by the force from the output pressure acting underneath the diaphragm assembly.

An unbalanced state between the output pressure and the set pressure causes a corresponding reaction in the diaphragm and supply valve assemblies. If the output pressure rises above the set pressure, an upward force is exerted on the diaphragm assembly causing the relief seat to lift and open. Excess pressure is vented to atmosphere until equilibrium is reached. If the output pressure drops below the set pressure the unbalance force of the range spring causes a downward force on the diaphragm assembly. The supply valve then opens until the pressure builds up once more to the equilibrium condition.

Under forward flow conditions, the range spring force is balanced by the diaphragm pressure force, with the supply valve open just enough to maintain the required equilibrium pressure. When high flow occurs, a specially designed aspirator helps maintain downstream pressure and compensates for droop.

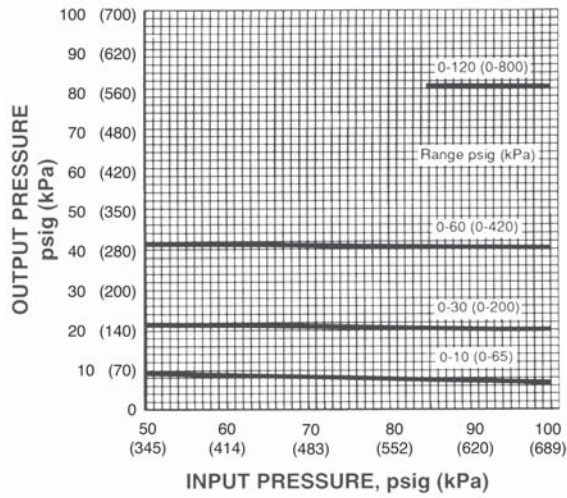


OPTIONAL MOUNTING BRACKET

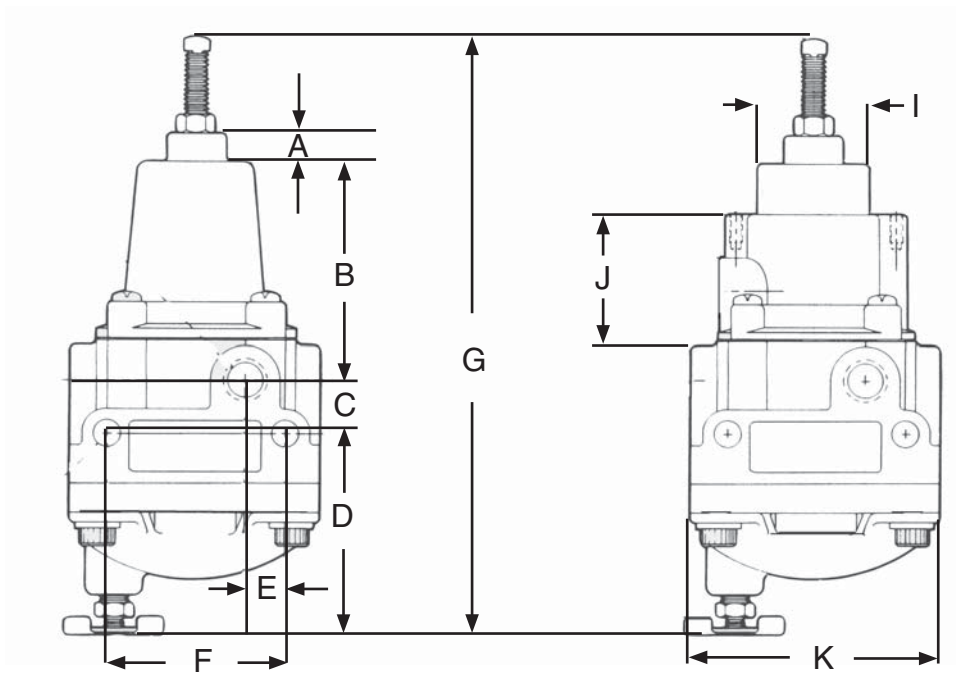
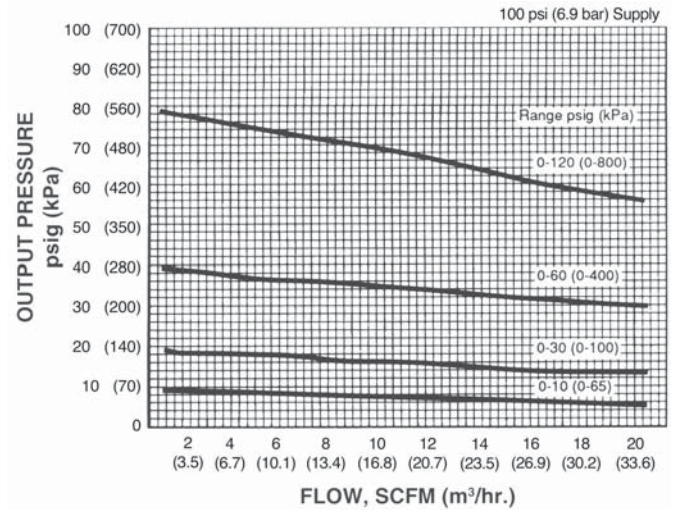
Figure 2: Option-5 Mounting Bracket

PERFORMANCE CHARACTERISTICS

EFFECTS OF UPSTREAM PRESSURE VARIATIONS ON REGULATED PRESSURE



EFFECTS OF CHANGES IN FLOW ON REGULATED PRESSURE



DIMENSIONS AND WEIGHTS

ENGLISH UNITS (Inches)											
1/4" Body Size	A	B	C	D	E	F	G	I	J	K	Ship Weight
Standard	.38	2.82	.69	2.59	.50	2.25	7.75	1.44	2.16	3.13	1.6 lbs.
-2 (Handwheel)	.38	2.82	.69	2.59	.50	2.25		1.44	2.16	3.13	
-5 (Mtg. Bracket)	.38	2.82	.69	2.59	.50	2.25		1.44	2.16	3.13	

POSITION 11 - RANGE SPRING		
psig	Barg	CODE
0-30	0-2.1	1
0-60	0-4.1	2
0-120	0-8.3	3



Model 5200P Airset

ASSIGNMENT OF "OPTION" CODES

1. When ordering a valve per one of Cashco's special drawings, the code "X" and the 5-digit number following override all other options. Otherwise, proceed with the following.
2. NUMERIC digits assigned first in "ascending" order.
3. ALPHA designations are assigned second (excluding the "X") in "alphabetical" order.
4. Left justify.
5. Add "0" to all unused squares.
6. If insufficient quantity of squares, consult factory for proper code.

POSITION 12 - OPTIONS		
Description	Option	CODE
None	-	0
Handwheel	-2	2
Mounting Bracket	-5	5

Cashco, Inc.
 P.O. Box 6
 Ellsworth, KS 67439-0006
 PH (785) 472-4461
 Fax. # (785) 472-3539
 www.cashco.com
 email: sales@cashco.com
 Printed in U.S.A. 5200P-TB

Cashco GmbH
 Handwerkerstrasse 15
 15366 Hoppegarten, Germany
 PH +49 3342 30968 0
 Fax. No. +49 3342 30968 29
 www.cashco.com
 email: germany@cashco.com

Cashco do Brasil, Ltda.
 Al.Venus, 340
 Indaiatuba - Sao Paulo, Brazil
 PH +55 11 99677 7177
 Fax. No.
 www.cashco.com
 email: brazil@cashco.com